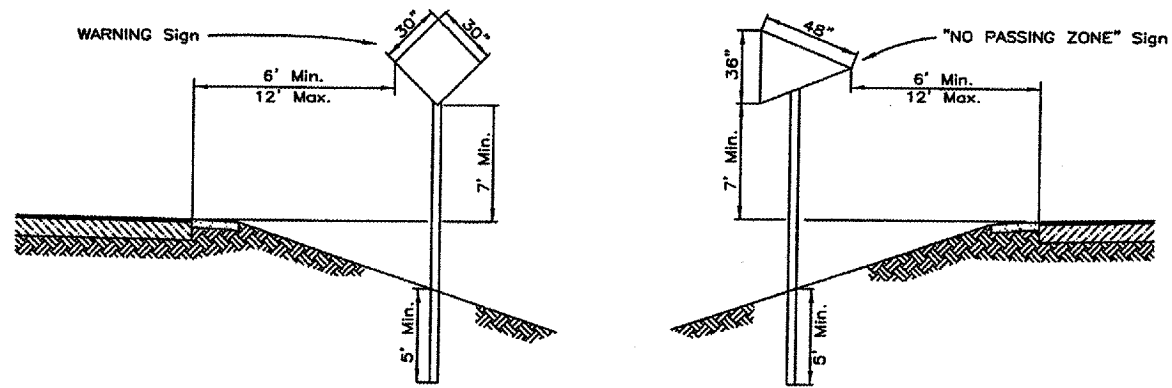


SIGN SCHEDULE

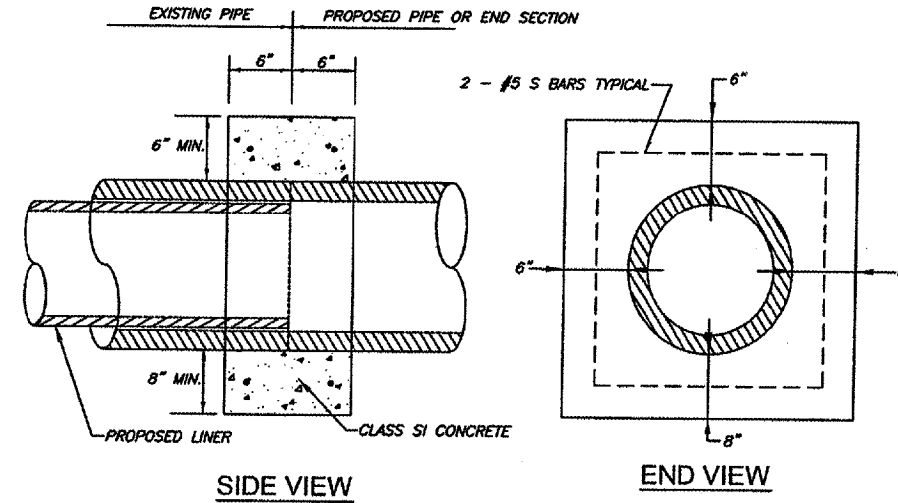
LOCATION	NAME	SIGNS		POSTS (FT)
		NO.	SQ. FT.	
STA 101+00 RT	NO PASSING	W14-3	5.33	14
STA 130+00 LT	NO PASSING	W14-3	5.33	14
STA 130+00 RT	NO PASSING	W14-3	5.33	14
STA 158+00 LT	NO PASSING	W14-3	5.33	14
STA 103+00 RT	SPEED LIMIT	R2-1	7.5	13
STA 128+00 LT	SPEED LIMIT	R2-1	7.5	13
STA 133+00 RT	SPEED LIMIT	R2-1	7.5	13
STA 158+00 LT	SPEED LIMIT	R2-1	7.5	13
TOTALS			51.32	108

ROUTE	SECTION	COUNTY	TOTAL SHEETS	SHEET NUMBER
CH13	04-00069-00-RS	GALLATIN	25	3
POUNDS HOLLOW ROAD		FAS ROUTE 934		
CONTRACT NO. 99264				



SIGN MOUNTING DETAILS

NOT TO SCALE



SIDE VIEW

END VIEW

NOTES:

- ALL CONCRETE AND REINFORCEMENT SHALL BE CONSIDERED PART OF THE CONCRETE COLLAR PAY ITEM.

PIPE DIA.	CLASS SI CONCRETE CU. YD. (EST.)
12"	0.16
15"	0.19
18"	0.21
24"	0.29
30"	0.37
36"	0.44
42"	0.53
48"	0.62
54"	0.71

CONCRETE COLLAR DETAILS

CULVERT SCHEDULE

LOCATION		INSERTION LINING		CULVERT REMOVAL				P CUL 1 CS/A CP			TRENCH	STONE	CONCRETE	RCCP 1	RCCP 1	RCCP 2	RCCP 3	PRCFES	PRCFES	ME SEC	ME SEC	ME SEC	
		DIAMETER (FOOT)	DIAMETER (FOOT)	DIAMETER (FOOT)	DIAMETER (FOOT)	DIAMETER (FOOT)	DIAMETER (FOOT)	DIAMETER (FOOT)	DIAMETER (FOOT)	DIAMETER (FOOT)	BACKFILL	RIPRAP	COLLARS	18" DIA.	24" DIA.	18" DIA.	24" DIA.	18" DIA.	24" DIA.	18" DIA.	24" DIA.	12" DIA.	15" DIA.
STATION	OFFSET	16"	22"	12"	15"	18"	24"	12"	15"	18"	CU YD	TON	EACH	FOOT	FOOT	FOOT	FOOT	EACH	EACH	EACH	EACH	EACH	EACH
103+36	24'LT TO 28'RT	-	-	-	-	52	-	-	-	-	28	10	-	-	-	58	-	2	-	-	-	-	-
108+31	33'LT TO 21'RT	54	-	-	-	-	-	-	-	-	-	5	2	7.5	-	-	-	2	-	-	-	-	-
116+65	30'LT TO 40'RT	-	70	-	-	-	-	-	-	-	-	5	2	-	13	-	-	-	2	-	-	-	-
119+72	30'LT TO 40'RT	-	-	-	-	-	70	-	-	-	51	-	-	-	-	-	100	-	2	-	-	-	-
122+06	PE 20' RT	-	-	-	38	-	-	-	38	-	11	-	-	-	-	-	-	-	-	-	-	2	-
128+80	30'LT TO 20'RT	-	48	-	-	-	-	-	-	-	-	5	2	-	10	-	-	-	2	-	-	2	-
133+43	PE 23' RT	-	-	-	-	44	-	-	-	44	12	-	-	-	-	-	-	-	-	-	-	-	2
136+02	17'LT TO 21'RT	-	38	-	-	-	-	-	-	-	-	-	2	-	7.5	-	-	-	-	2	-	-	-
136+83	PE 20' LT	-	-	-	-	22	-	-	-	22	13	-	-	-	-	-	-	-	-	-	-	-	2
140+16	PE 20' LT	-	-	43	-	-	-	40	-	-	22	-	-	-	-	-	-	-	-	-	2	-	-
143+50	34'LT TO 32'RT	-	-	-	-	66	-	-	-	-	36	-	-	-	-	64	-	2	-	-	-	-	-
150+23	20'LT TO 30'RT	50	-	-	-	-	-	-	-	-	-	10	2	-	-	-	-	2	-	-	-	-	-
154+75	PE 21' RT	-	-	30	-	-	-	30	-	-	19	-	-	-	-	-	-	-	-	2	-	-	-
TOTAL		104	156	73	38	132	70	70	38	130	192	35	10	7.5	30.5	122	100	4	6	4	4	4	4