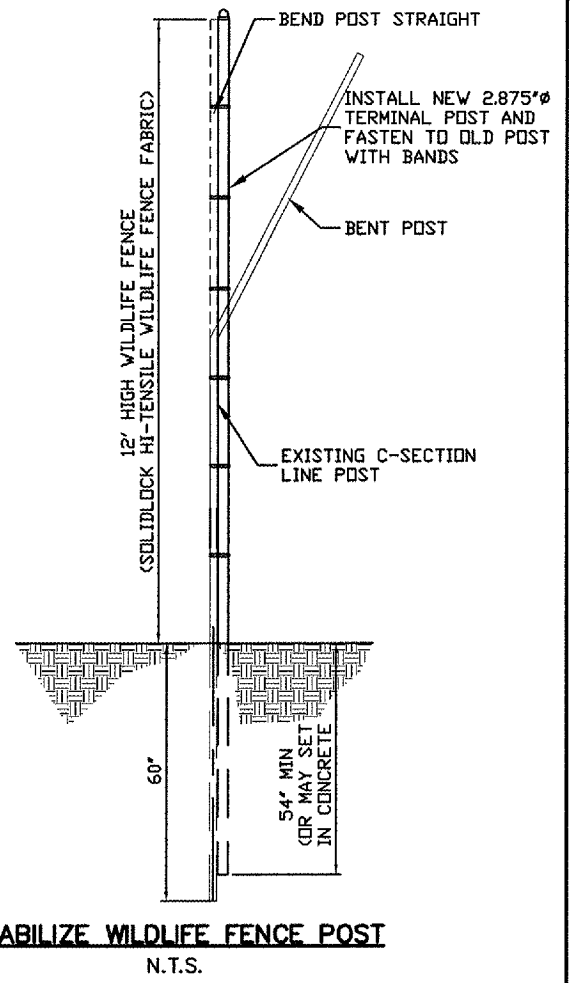
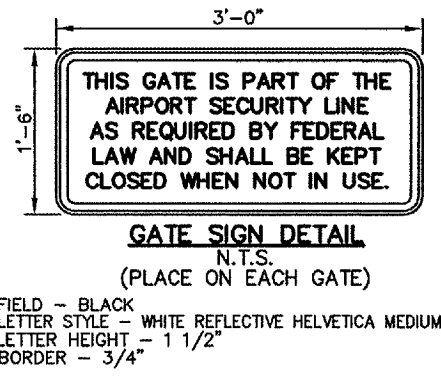
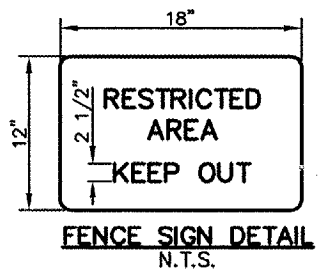
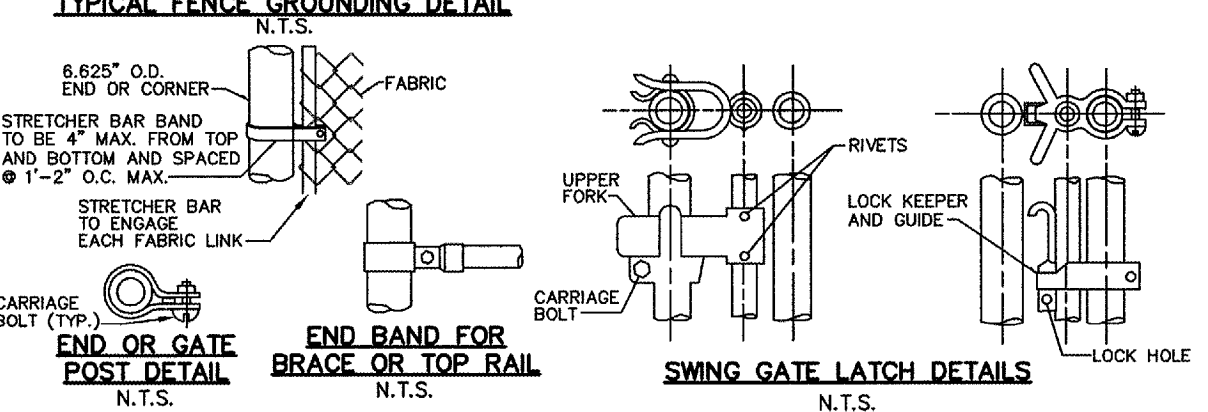
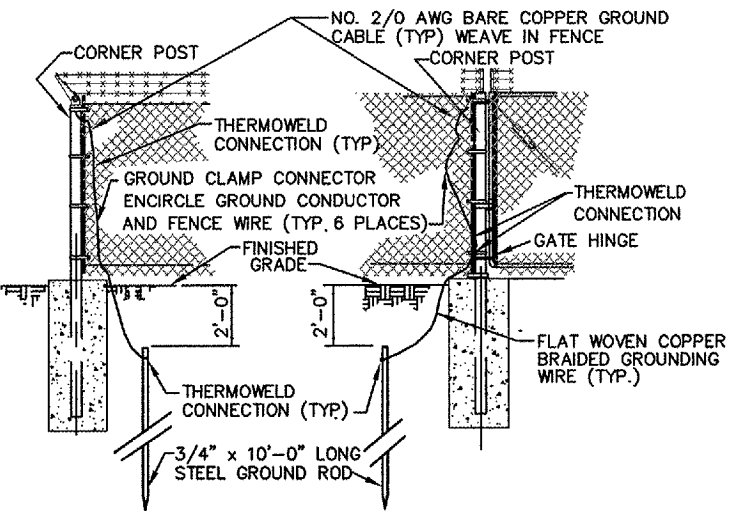
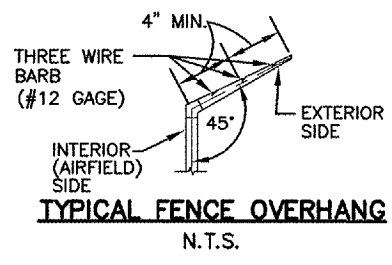


- FENCE NOTES:**
- CHAIN LINK FABRIC TO BE #9 GAUGE ZINC COATED.
  - CONTINUOUS FENCE SHALL BE GROUNDED AT INTERVALS NOT TO EXCEED 500'. THERE SHALL BE A GROUND WITHIN 100' OF GATES IN EACH SECTION OF FENCE ADJACENT TO THE GATE.
  - BARBED WIRE EXTENSION ARMS SHALL POINT TO EXTERIOR AND SHALL SUPPORT A MINIMUM DEAD LOAD OF 400 POUNDS FROM END OF ARM.
  - BOTTOM TENSION WIRE SHALL BE STRETCHED TAUT FROM TERMINAL POST AND SECURELY FASTENED TO EACH INTERMEDIATE POST 6" ABOVE THE GROUND LINE.
  - TOP AND BOTTOM SELVAGES OF FENCE TO HAVE A TWISTED AND BARBED FINISH.
  - ALL BOLTS ON ALL GATES, HINGES AND HARDWARE MUST BE NON-REMOVABLE.
  - IT IS PERMITTED TO SUBSTITUTE STEEL PIPE, TYPE "A", AS SPECIFIED IN 162-2.3 (o)(2), FOR STEEL PIPE, TYPE "A".



LINE POSTS		GATE FRAMES		TERMINAL POSTS		HORIZONTAL BRACES		GATE POST SIZE	
SECTION	SIZE & WEIGHTS LBS./L.F.	SECTION	SIZE & WEIGHTS LBS./L.F.	SECTION	SIZE & WEIGHTS LBS./L.F.	SECTION	SIZE & WEIGHTS LBS./L.F.	GATE OPENING	PIPE TYPE A SIZE
PIPE TYPE A 2.375" O.D.	3.65	PIPE TYPE A 1.66" O.D.	2.27	PIPE TYPE A 2.875" O.D.	5.79	PIPE TYPE A 1.66" O.D.	2.27	24 FT.	6.625" O.D.

\*COSTS FOR RELOCATING OR PROVIDING NEW SIGNS IS INCIDENTAL TO THE FENCE / GATE

C:\Dan\Work\195073\CADD\100\195073-C-10.dwg, 6/8/2007 1:46:59 PM

DESIGNED BY: DJT		TWY K EROSION STABILIZATION 		DWG. FILE NAME
DRAWN BY: DJT				95073-C-10
CHECKED BY: TNG				SHEET NO.
DATE: 06/08/07	9768 Airport Blvd, Box 3 Mascoutah, IL 62258 PH 618-624-2628 FAX 618-566-5324			10