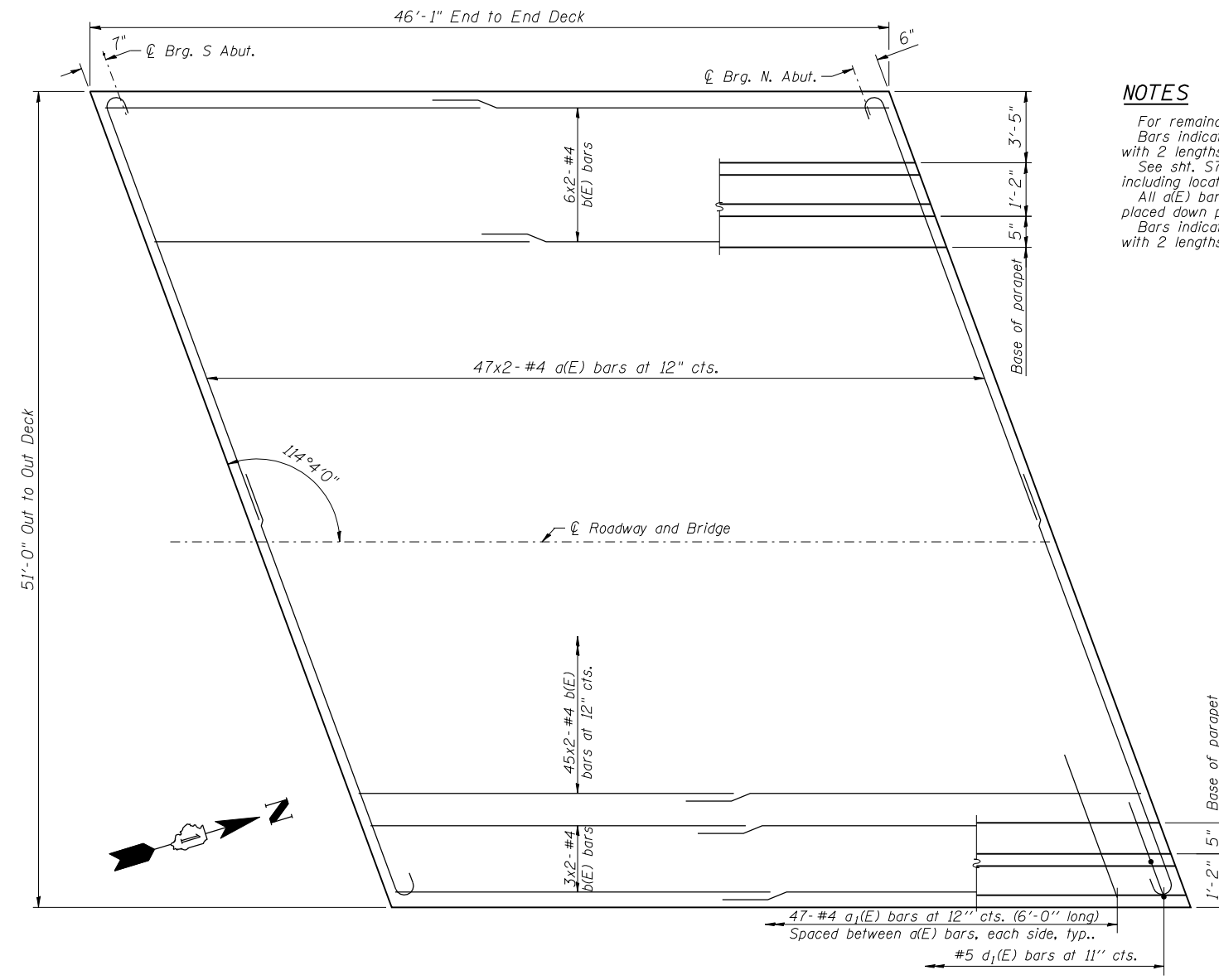


REINFORCED CONCRETE WEARING SURFACE PROFILE

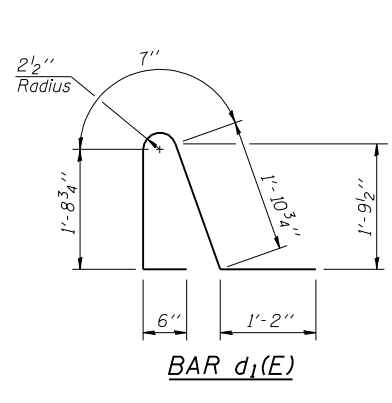
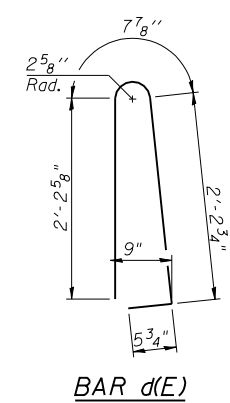
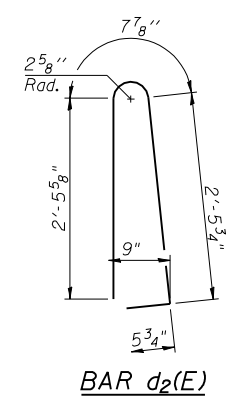
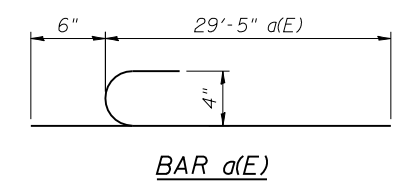
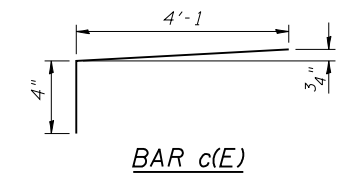
BILL OF MATERIAL

Bar	No.	Size	Length	Shape	
a(E)	94	#4	29'-11"	C	
a ₁ (E)	94	#5	6'-0"	—	
b(E)	108	#4	23'-11"	—	
b ₁ (E)	10	#5	24'-2"	—	
c(E)	47	#5	4'-6"	L	
d(E)	51	#5	5'-7"	U	
d ₁ (E)	102	#4	5'-11"	U	
d ₂ (E)	51	#5	6'-1"	U	
e(E)	42	#4	15'-0"	—	
e ₁ (E)	2	#8	45'-9"	—	
e ₂ (E)	2	#4	23'-10"	—	
Concrete Wearing Surface, 5"				Sq. Yd.	262
Concrete Superstructure				Cu. Yd.	16.6
Reinforcement Bars, Epoxy Coated				Pound	6390



NOTES

For remainder of Superstructure Details see sht. S6 of S14.
 Bars indicated thus 45x2-#4, etc. indicates 45 lines of bars with 2 lengths per line.
 See sht. S7 of S14 for sidewalk plan and parapet details, including locations of d(E) thru d₂(E) bars.
 All a(E) bar spacings measured parallel to \bar{C} roadway, but placed down parallel to skew.
 Bars indicated thus 47x2-#4 etc. indicates 47 lines of bars with 2 lengths per line.



MIN. BAR LAP
 #4 bars = 2'-1"

CONCRETE WEARING SURFACE PLAN

LOCO, INC.
 CONSULTING ENGINEERS
 1560 WALL ST, SUITE 222
 NAPERVILLE, ILLINOIS 60563 PH: (630) 577-9100

DESIGNED - SLV	REVISED -
CHECKED - MJM	REVISED -
DRAWN - SLV	REVISED -
CHECKED - MJM	REVISED -

**STATE OF ILLINOIS
 DEPARTMENT OF TRANSPORTATION**

**SUPERSTRUCTURE
 STRUCTURE NO. 016-0771**

SHEET NO. S5 OF S14 SHEETS

F.A.U. RTE.	SECTION	COUNTY	TOTAL SHEETS	SHEET NO.
3597	0710 B	COOK	30	14
D-91-292-09		CONTRACT NO. 60F95		

ILLINOIS FED. AID PROJECT