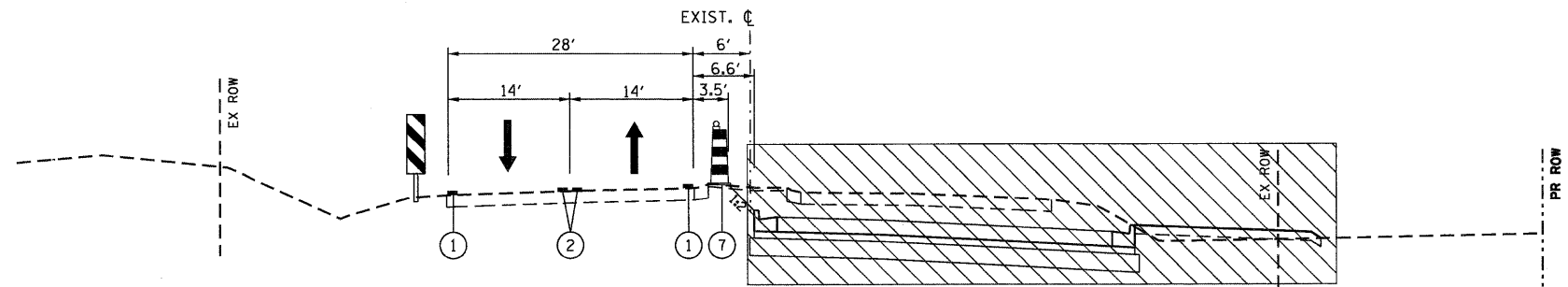


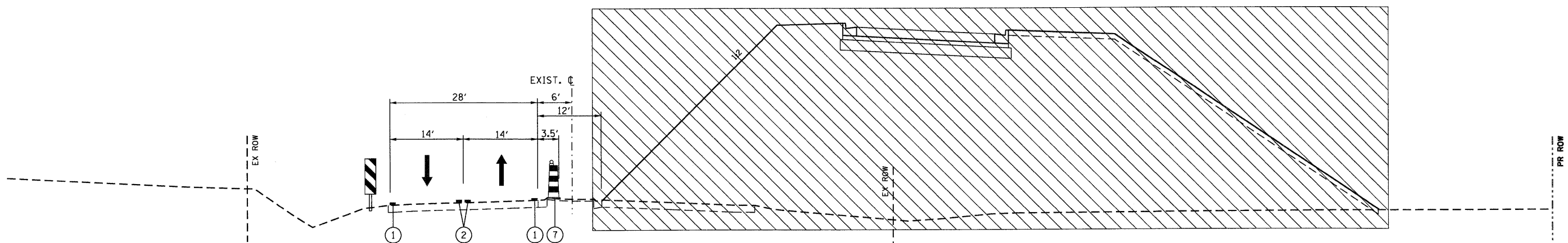
ILLINOIS ROUTE 38 STAGE 2

STA. 80+82 TO STA. 93+46
 • STA. 93+46 TO STA. 95+46
 •• STA. 130+00 TO STA. 135+30
 ••• STA. 142+88 TO STA. 149+91



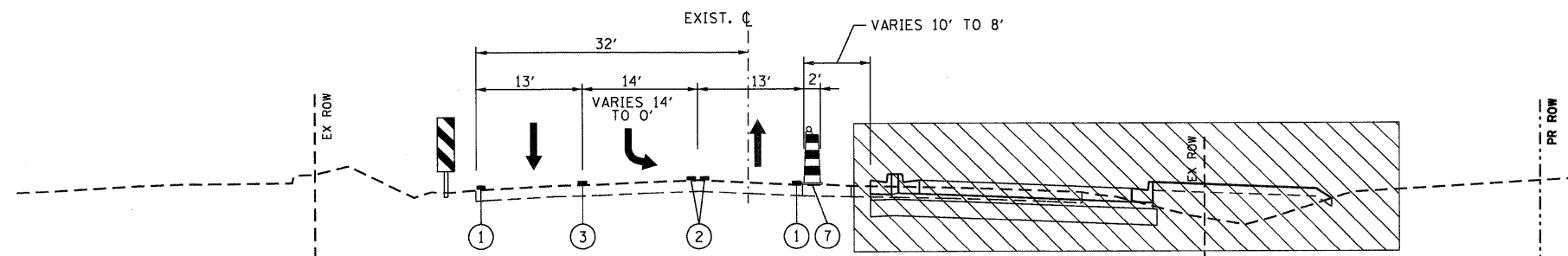
ILLINOIS ROUTE 38 STAGE 2

STA. 95+46 TO STA. 97+40



ILLINOIS ROUTE 38 STAGE 2

STA. 97+40 TO STA. 104+50



ILLINOIS ROUTE 38 STAGE 2

STA. 136+24 TO STA. 140+21

- LEGEND**
- ① TEMPORARY PAVEMENT MARKING LINE, 4" (WHITE)
 - ② TEMPORARY PAVEMENT MARKING LINE, 4" (YELLOW)
 - ③ TEMPORARY PAVEMENT MARKING LINE, 6" (WHITE)
 - ④ WET REFLECTIVE TEMPORARY TAPE TYPE III, 4" (WHITE)
 - ⑤ WET REFLECTIVE TEMPORARY TAPE TYPE III, 4" (YELLOW)
 - ⑥ WET REFLECTIVE TEMPORARY TAPE TYPE III, 6" (WHITE)
 - ⑦ DRUM OR BARRICADE
 - ⑧ TEMPORARY CONCRETE BARRIER
 - ⑨ TEMPORARY PAVEMENT, 10"

McDonough Associates Inc.
 Engineers / Architects
 130 East Randolph Street, Chicago, Illinois 60601

FILE NAME =	USER NAME = YK1m
D160122-SHT-STAGING03.dgn	

DESIGNED - KBN	REvised -
DRAWN - KBN	REvised -
CHECKED - EJJ	REvised -
DATE - 10/14/11	REvised -

**STATE OF ILLINOIS
DEPARTMENT OF TRANSPORTATION**

MAINTENANCE OF TRAFFIC TYPICAL SECTIONS	
SCALE: NONE	SHEET NO. 3 OF 17 SHEETS
STA.	TO STA.

F.A.P. RTE.	SECTION	COUNTY	TOTAL SHEETS	SHEET NO.
347	LY (HB & VB)	DUPAGE/KANE	421	44
MOT-3		CONTRACT NO. 60122		
FED. ROAD DIST. NO. 1 ILLINOIS FED. AID PROJECT				