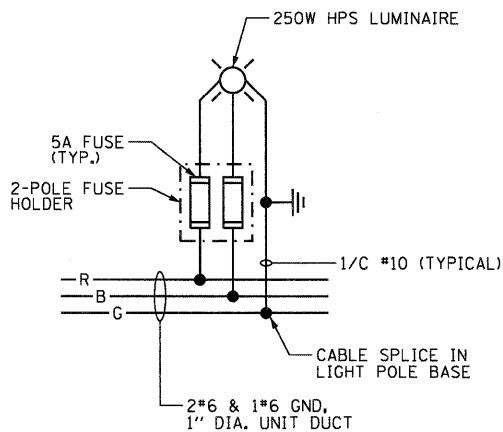


LOAD TABULATION LIGHTING CONTROLLER "G"		
CIRCUIT	AMPS	WATTS
A	5.2	1248
B	2.6	624
C	6.5	1560
D	--	--
E	--	--
F	--	--
G	--	--
H	--	--
I	--	--
TOTAL	14.3	3432

LOAD TABULATION IS BASED ON THE FOLLOWING:

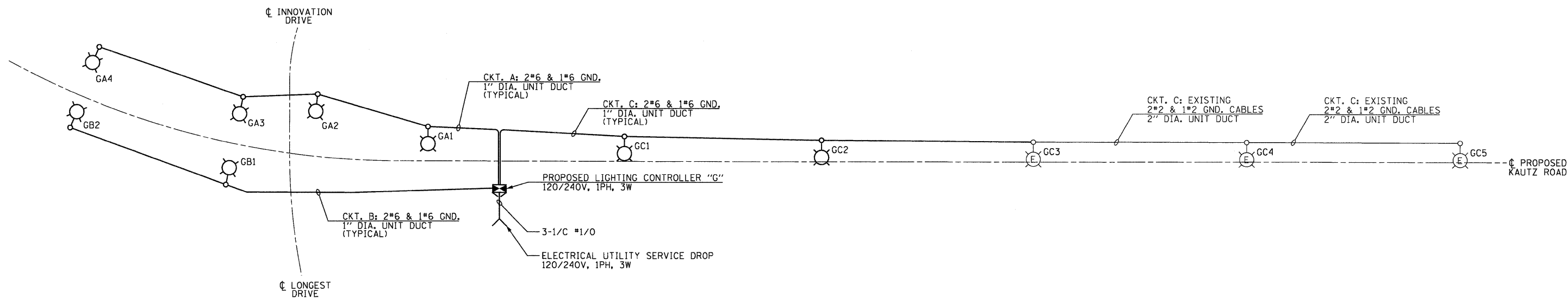
FIXTURE: 312W AT 240V = 1.3A



TYPICAL LIGHTING UNIT WIRING DIAGRAM
N.T.S.

LEGEND:

- PROPOSED STREET LIGHTING UNIT WITH 250W, 240V HPS LUMINAIRE
- LIGHTING UNIT DESIGNATION
- EXISTING 250W STREET LIGHTING UNIT WITH PROPOSED 240V BALLAST
- NEW IDENTIFICATION NUMBER FOR EXISTING STREET LIGHTING UNIT
- LIGHTING CONTROLLER
- GROUND FIELD
- ELECTRIC UTILITY SERVICE DROP



NOTE:

SEE DRAWING RL-1 FOR ELECTRICAL SYMBOL LIST, ABBREVIATIONS, AND GENERAL NOTES.

