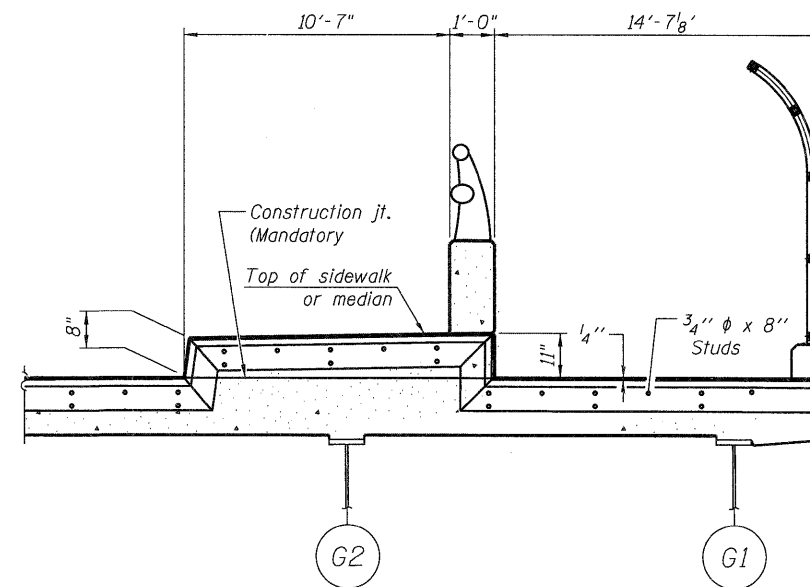
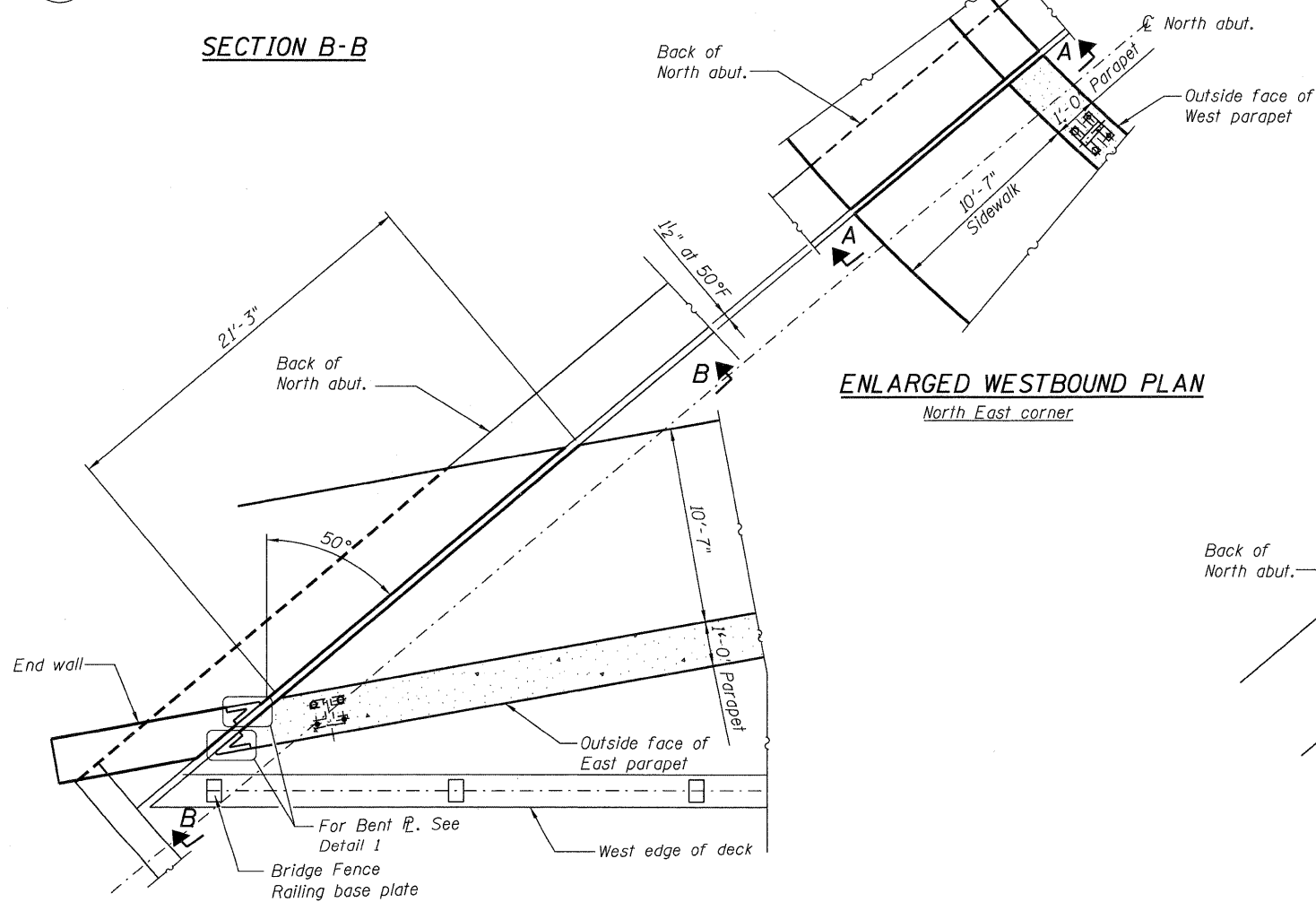


SECTION B-B

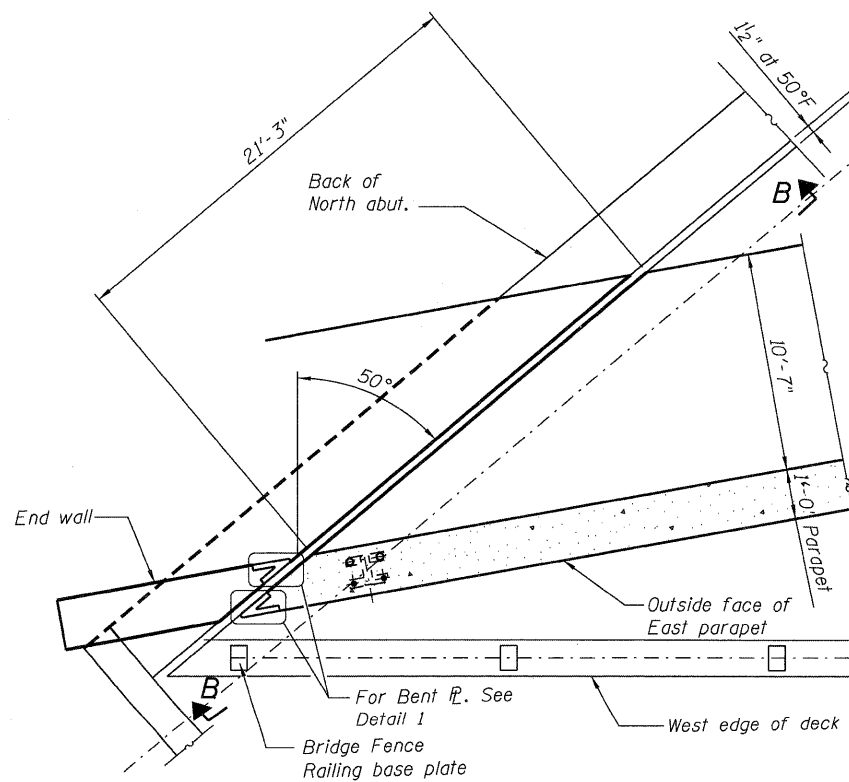


TYPICAL END TREATMENT AT SIDEWALK OR MEDIAN

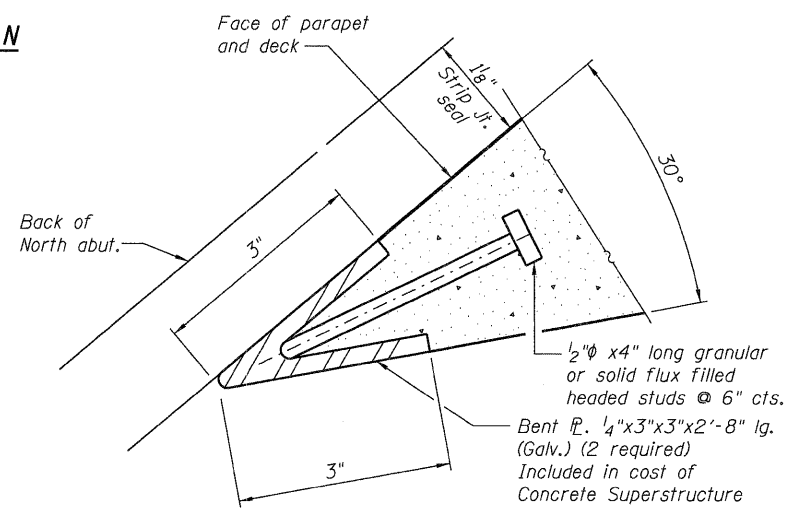
Shorter plates with a single row of studs at 12" cts. may be necessary on medians which are shallower than 9". See manufacturer's recommendation.



ENLARGED WESTBOUND PLAN
North East corner



ENLARGED EASTBOUND PLAN
North West corner



DETAIL 1

Location	Total Movement
N. Abutment	0" (Fixed)

BILL OF MATERIAL

Item	Unit	Total
Preformed Joint Strip Seal	Foot	514

FILE NAME = 0450079-60122-031-Preformed.Strip.Jt.dgn	USER NAME = jehhart	DESIGNED - JDK	REVISED -
PLOT SCALE = 1:8.0033333	DRAWN - JDK	CHECKED - GEK	REVISED -
PLOT DATE = 3/28/2012	CHECKED - GEK	DRAWN - JDK	REVISED -

STATE OF ILLINOIS
DEPARTMENT OF TRANSPORTATION

PREFORMED JOINT STRIP SEAL
STRUCTURE NO. 045-0079

SHEET NO. 31 OF 67 SHEETS

F.A.P. RTE.	SECTION	COUNTY	TOTAL SHEETS	SHEET NO.
347	LY (HB & VB)	DUPAGE/KANE	421	197
				CONTRACT NO. 60122
ILLINOIS FED. AID PROJECT				