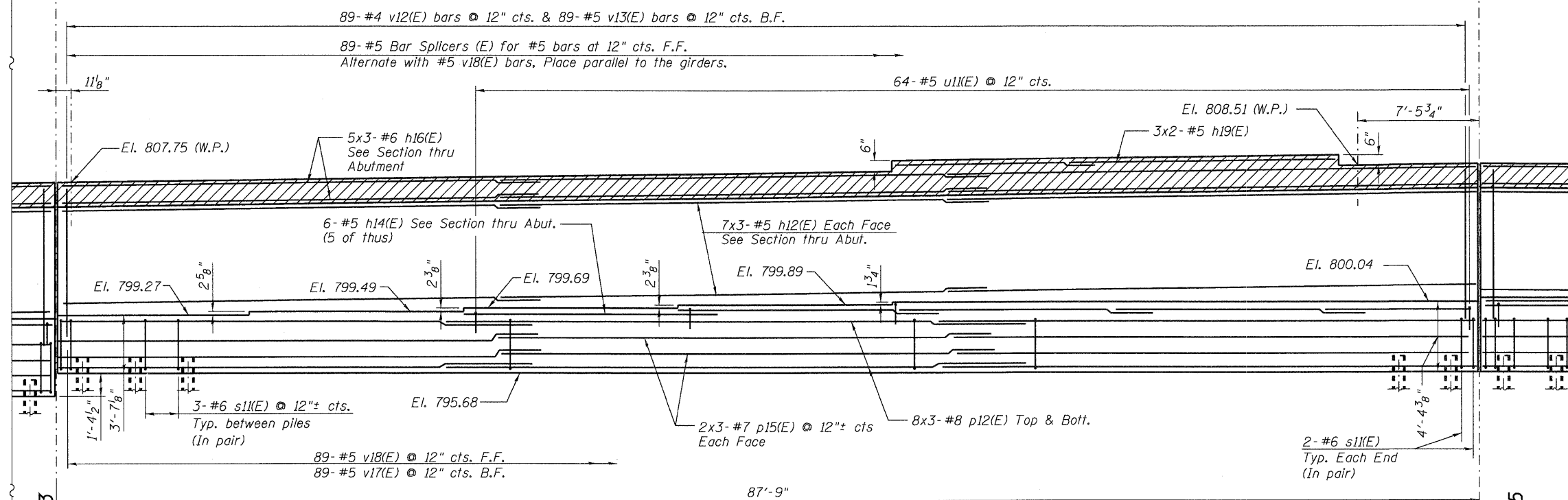
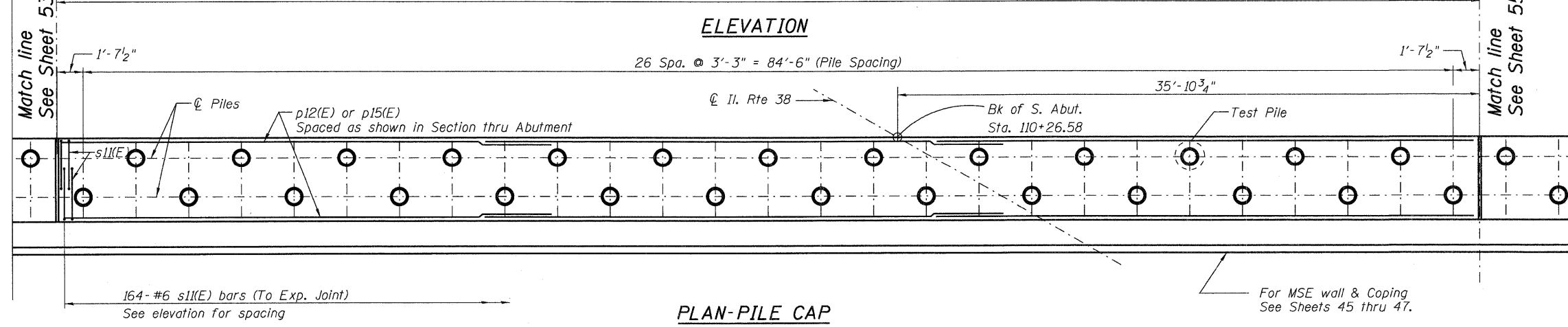


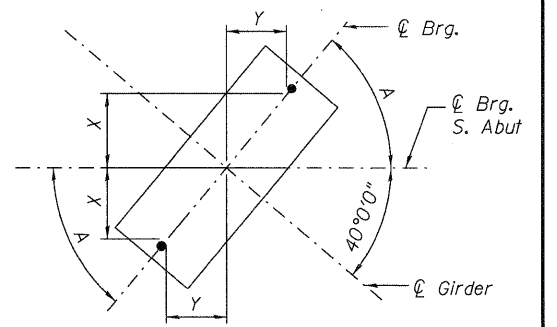
TOP VIEW



ELEVATION



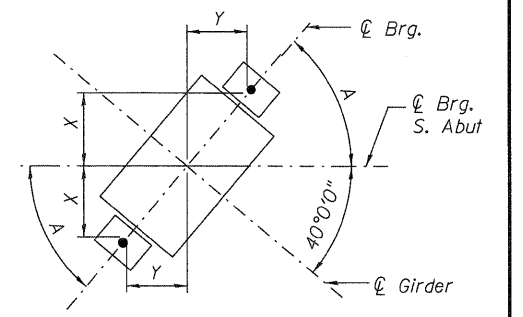
PLAN-PILE CAP



TYPE II ELASTOMERIC BEARING ANCHOR BOLT LAYOUT

Girders G1 thru G13

GIRDER	X	Y	A
G1-G13	1'-0 7/8"	10 7/8"	50°0'00"



TYPE I ELASTOMERIC BEARING ANCHOR BOLT LAYOUT

Girders G14 thru G26

GIRDER	X	Y	A
G14-G26	1'-0 7/8"	10 7/8"	50°0'00"

Notes:
 For Pile Data see Sheet 55.
 For Section thru Abutment see Sheet 57.
 Work this sheet with Sheet 53, 55 thru 57.

McDonough Associates Inc.
 Engineers / Architects
 130 East Randolph Street, Chicago, Illinois 60601

FILE NAME = 0450079-60122-054-Abut.S2.dgn
 USER NAME = jehrhert
 PLOT SCALE = 1:4
 PLOT DATE = 3/29/2012

DESIGNED - MJL	REVISD -
CHECKED - PMH	REVISD -
DRAWN - RJ	REVISD -
CHECKED - PMH	REVISD -

STATE OF ILLINOIS
DEPARTMENT OF TRANSPORTATION

SOUTH ABUTMENT - 2
STRUCTURE NO. 045-0079
 SHEET NO. 54 OF 67 SHEETS

F.A.P. RTE.	SECTION	COUNTY	TOTAL SHEETS	SHEET NO.
347	LY (HB & VB)	DUPAGE/KANE	421	220
				CONTRACT NO. 60122
ILLINOIS FED. AID PROJECT				