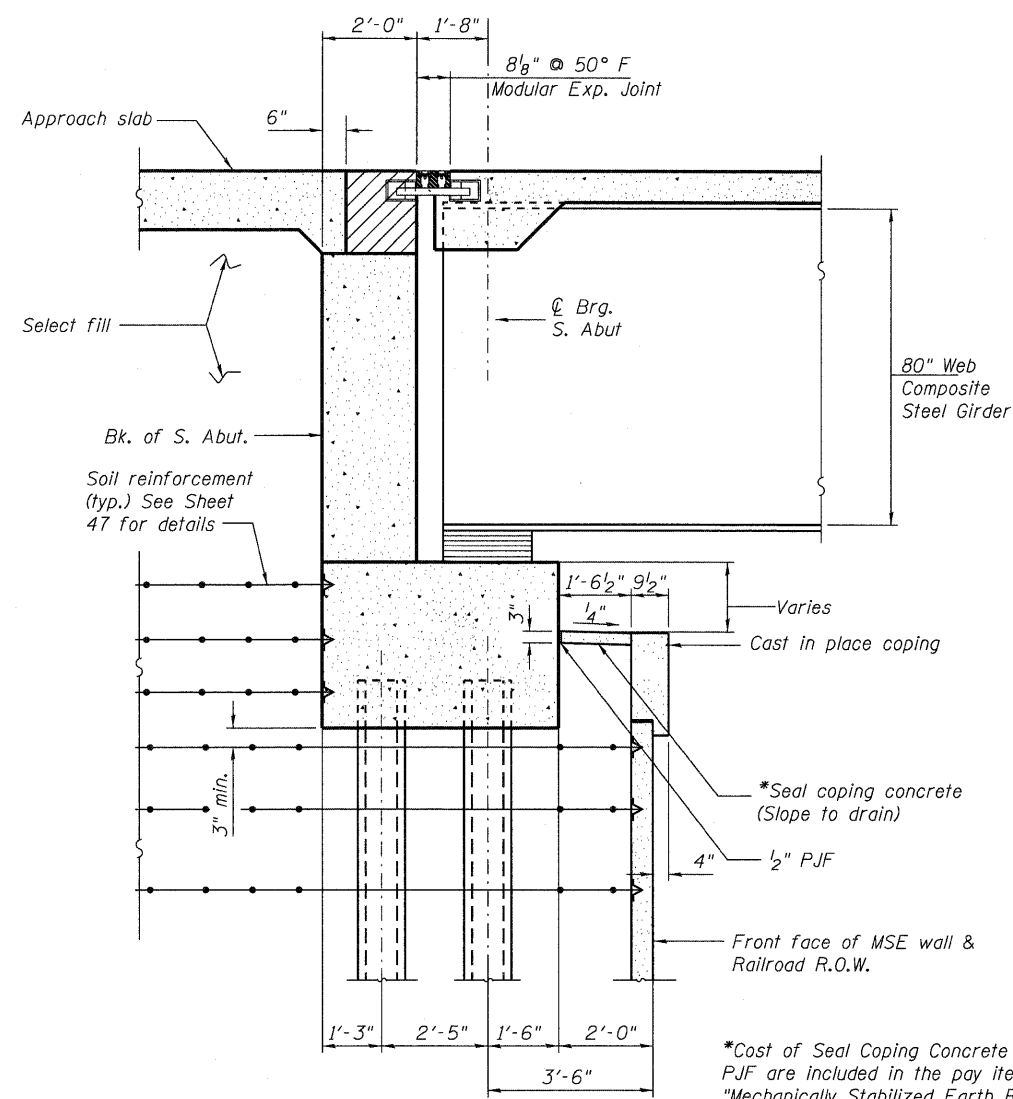


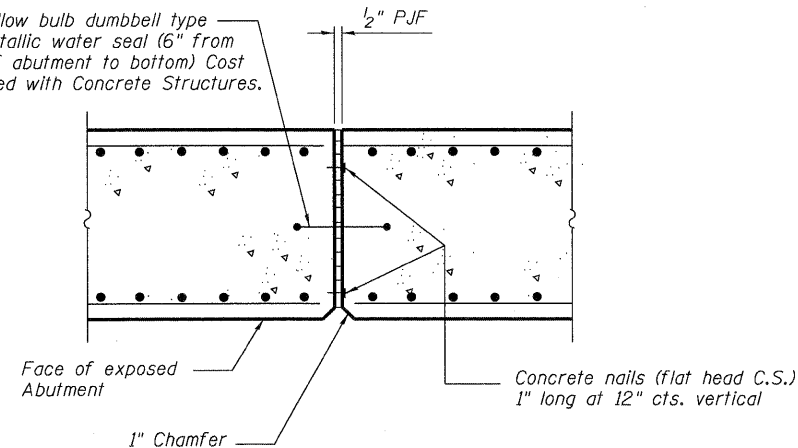
**BILL OF MATERIAL**

Bar	No.	Size	Length	Shape
h11(E)	42	#5	29'-10"	
h12(E)	84	#5	31'-10"	
h13(E)	42	#5	30'-9"	
h14(E)	96	#5	16'-11"	
h15(E)	15	#6	30'-4"	
h16(E)	30	#6	32'-4"	
h17(E)	15	#6	31'-4"	
h18(E)	60	#5	7'-2"	
h19(E)	18	#5	14'-2"	
h20(E)	3	#5	26'-7"	
h22(E)	3	#5	11'-3"	
h23(E)	6	#5	9'-4"	
h24(E)	18	#5	4'-8"	
p11(E)	48	#8	32'-5"	
p12(E)	96	#8	34'-6"	
p13(E)	48	#8	33'-5"	
p14(E)	12	#7	30'-8"	
p15(E)	24	#7	32'-7"	
p16(E)	12	#7	31'-5"	
s11(E)	638	#6	13'-4"	
u11(E)	250	#5	8'-10"	
v12(E)	345	#4	3'-4"	
v13(E)	345	#5	3'-9"	
v15(E)	36	#5	11'-4"	
v16(E)	26	#5	7'-7"	
v17(E)	345	#5	9'-10"	
v18(E)	345	#5	11'-4"	
v19(E)	2	#5	9'-9"	
Concrete Structures			Cu. Yd.	447.1
Reinforcement Bars, Epoxy Coated			Pound	56,830
Furnishing Metal Shell Piles 14" X 0.250"			Foot	8,874
Driving Piles			Foot	8,874
Test Pile Metal Shells			Each	3
Concrete Sealer			Sq. Ft.	4,820
Mechanically Stabilized Earth Retaining Wall			Sq. Ft.	18,835
Removal and Disposal of Unsuitable Material for Structures			Cu. Yd.	2,063

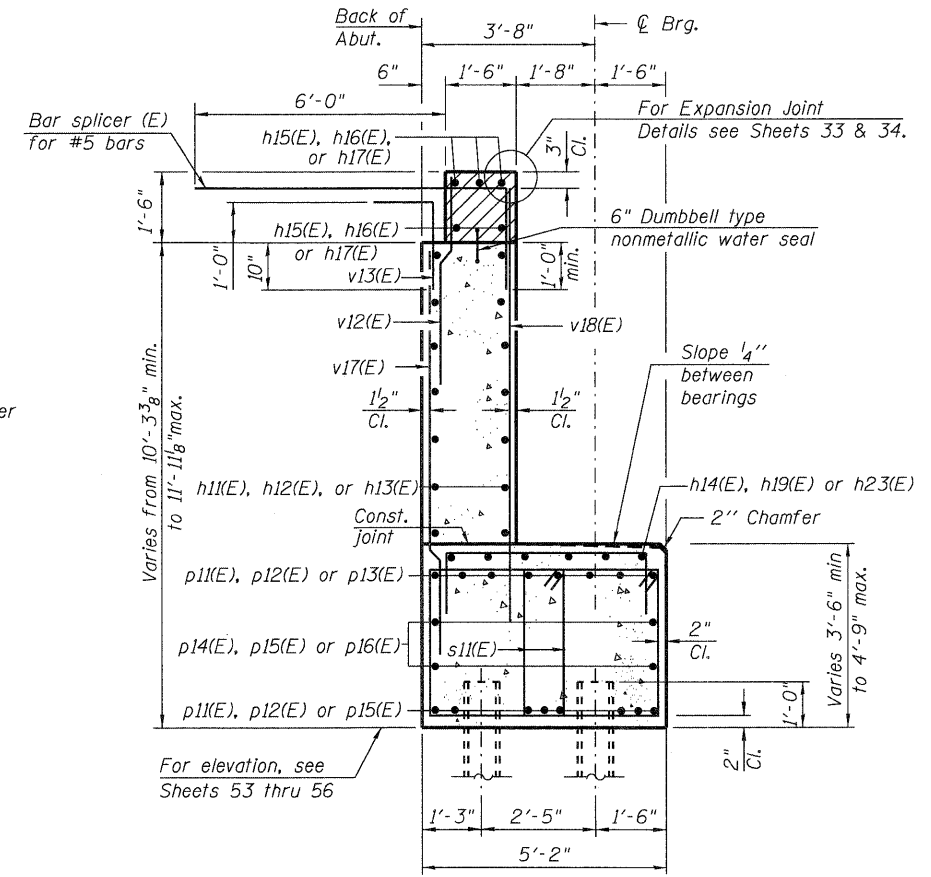


**SECTION THRU ABUTMENT**  
Showing Soil Reinforcement and Coping

6" Hollow bulb dumbbell type nonmetallic water seal (6" from top of abutment to bottom) Cost included with Concrete Structures.

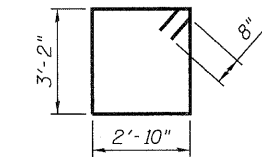


**EXPANSION JOINT DETAIL**

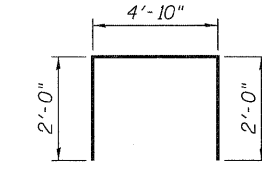


Note:  
Soil reinforcement and coping are not shown see "Section Thru Abutment showing Soil Reinforcement and Coping" for details.

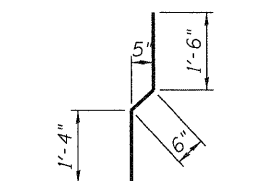
**SECTION THRU ABUTMENT**  
Showing Reinforcement Bars



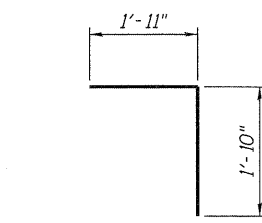
**BAR s11(E)**



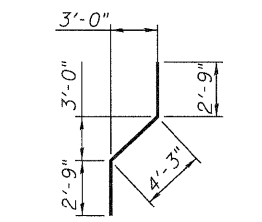
**BAR u11(E)**



**BAR v12(E)**



**BAR v13(E)**



**BAR v19(E)**

Notes:  
Section thru Abutment showing hatched area to be poured after superstructure false work has been removed. Quantity of concrete included with Concrete Superstructure.

Space reinforcement in cap to miss bolts.  
Pour steps monolithically with cap.  
Work this sheet with Sheets 53 thru 56.

FILE NAME = 0450279-60122-057-Abut_SS.dgn	USER NAME = jehrhart	DESIGNED - MJL	REVISIONS -
		CHECKED - PMH	REVISIONS -
		DRAWN - MJL	REVISIONS -
		CHECKED - PMH	REVISIONS -
			REVISIONS -

F.A.P. RTE. 347	SECTION LY (HB & VB)	COUNTY DUPAGE/KANE	TOTAL SHEETS 421	SHEET NO. 223
			CONTRACT NO. 60122	
ILLINOIS FED. AID PROJECT				