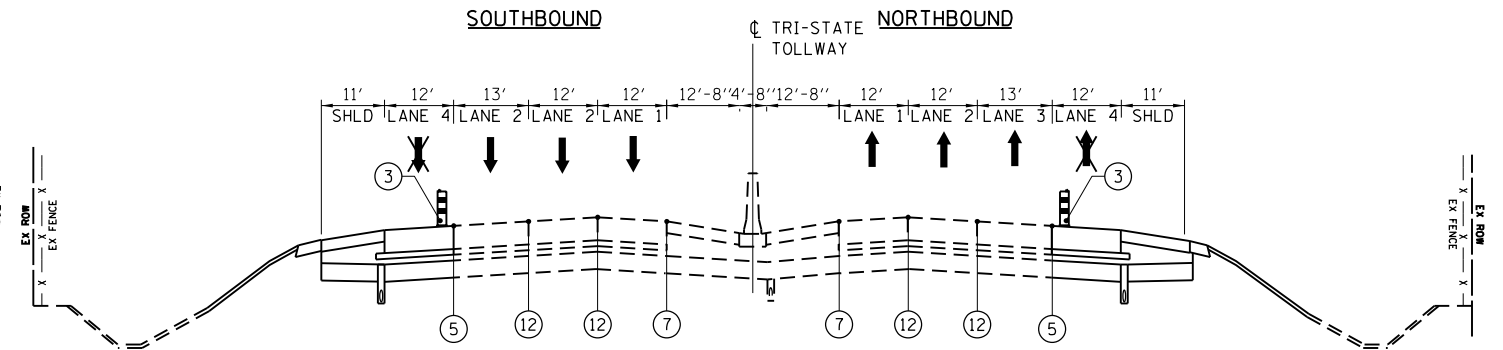
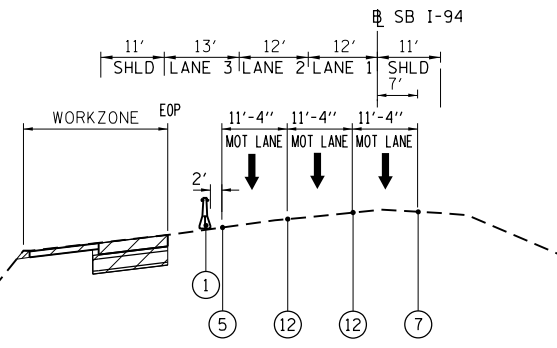


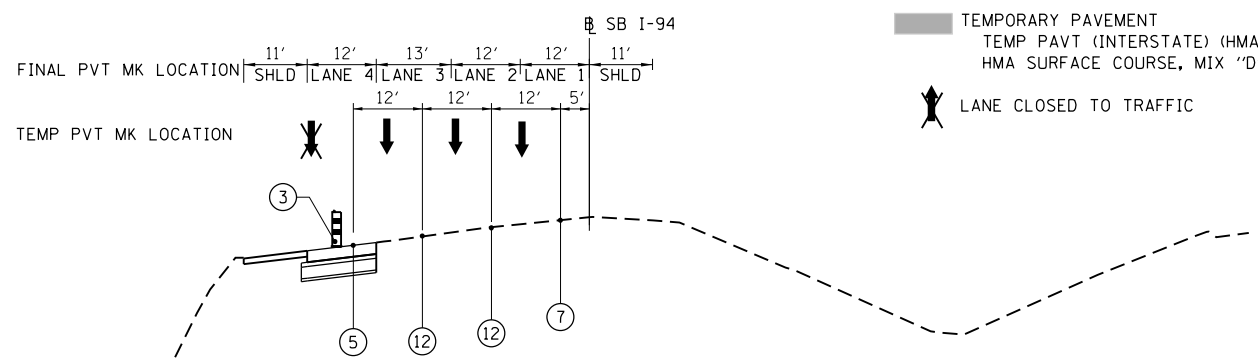
NB I 94 STAGES 1A AND 1B  
STATION 3978+00.0 TO STA 3989+50.0  
STA 4000+00 TO STA 4052+61.5  
LOOKING IN INCREASING STATION



NB I 94 STAGES 2A AND 2B  
STATION 4042+95.08 TO STA 4052+61.5  
LOOKING IN INCREASING STATION



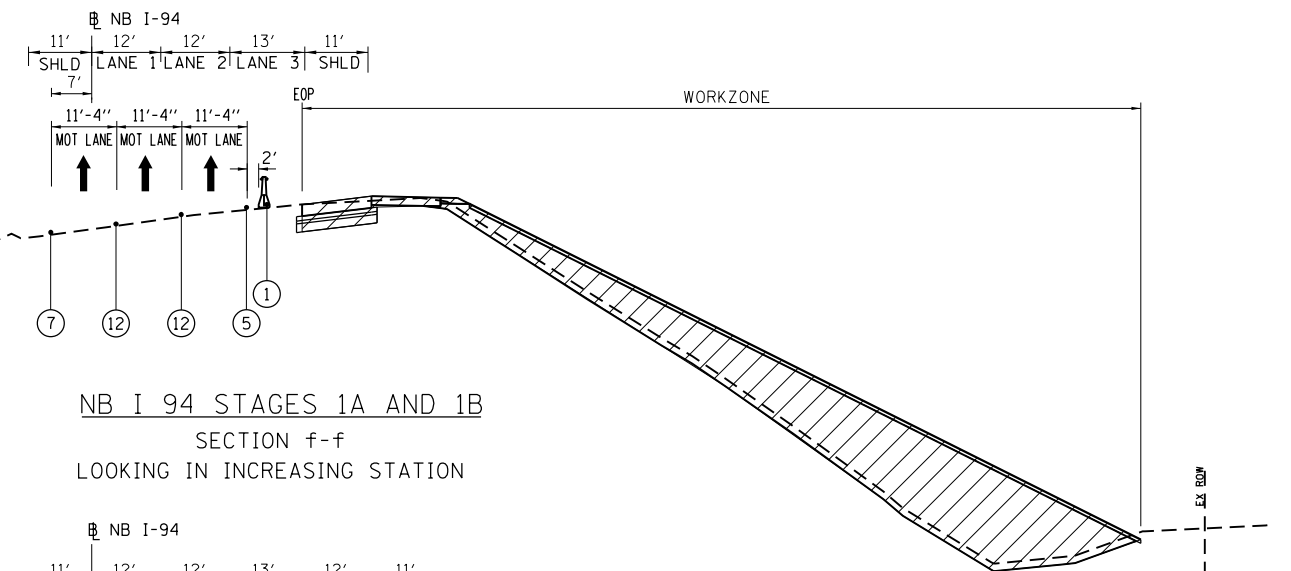
SB I 94 STAGES 1A AND 1B  
SECTION e-e  
LOOKING IN INCREASING STATION



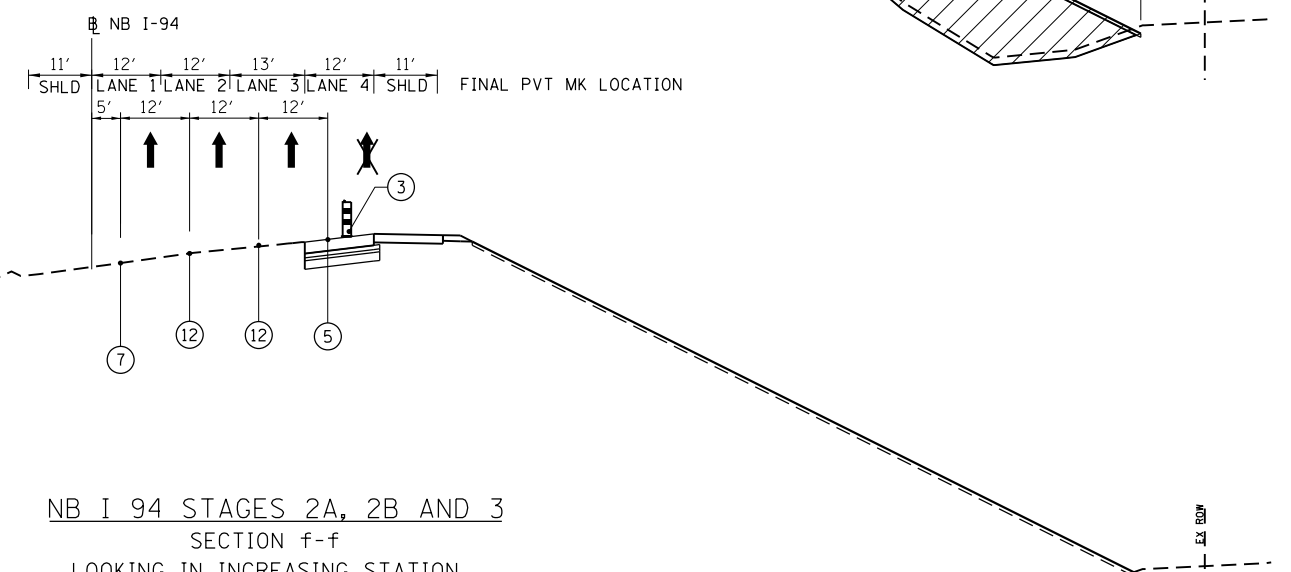
SB I 94 STAGES 2A, 2B AND 3  
SECTION e-e  
LOOKING IN INCREASING STATION

**LEGEND**

- ① TEMPORARY CONCRETE BARRIER WITH BARRIER WALL MARKERS, TYPE C
- ② RELOCATE TEMPORARY CONCRETE BARRIER
- ③ DRUMS AT 50'C-C WITH BIDIRECTIONAL STEADY BURN LIGHTS
- ④ PAVEMENT MARKING REMOVAL
- ⑤ PAVEMENT MARKING TAPE, TYPE III 4" WHITE
- ⑥ PAVEMENT MARKING TAPE, TYPE III 4" YELLOW, DOUBLE LINE
- ⑦ PAVEMENT MARKING TAPE, TYPE III 4" YELLOW
- ⑧ WORK ZONE PAVEMENT MARKING REMOVAL
- ⑨ EMBANKMENT
- ⑩ VERTICAL PANELS WITH BIDIRECTIONAL STEADY BURN LIGHTS
- ⑪ PAVEMENT MARKING TAPE, TYPE III 5" WHITE, 10' DASH 30' SKIP
- ⑫ PAVEMENT MARKING TAPE, TYPE III 4" WHITE, 25' DASH 25' SKIP
- ⑬ PAVEMENT MARKING TAPE, TYPE III 4" WHITE, 2' DASH 6' SKIP
- ⑭ TEMPORARY PAVEMENT MARKING-LINE 6"
- TEMPORARY PAVEMENT  
TEMP PAVT (INTERSTATE) (HMA BINDER IL-19.0mm), 10"  
HMA SURFACE COURSE, MIX "D", N70 (IL 9.5mm), 2"
- ⊗ LANE CLOSED TO TRAFFIC



NB I 94 STAGES 1A AND 1B  
SECTION f-f  
LOOKING IN INCREASING STATION



NB I 94 STAGES 2A, 2B AND 3  
SECTION f-f  
LOOKING IN INCREASING STATION

BOWMAN, BARRETT & ASSOCIATES INC.  
CONSULTING ENGINEERS  
Chicago, Illinois  
312.228.0100  
www.bbandainc.com



FILE NAME = \$FILES\$	USER NAME = default	DESIGNED -	REVISED -
		DRAWN - RA	REVISED -
	PLOT SCALE = H=1"=10' V=1"=5'	CHECKED - RGR	REVISED -
	PLOT DATE = 6/28/2012	DATE - 6/28/2012	REVISED -

STATE OF ILLINOIS  
DEPARTMENT OF TRANSPORTATION

MAINTENANCE OF TRAFFIC TYPICALS			
SB AND NB I-94			
SCALE: NA	SHEET NO. 2 OF 7 SHEETS	STA. NA	TO STA. NA

F.A. RTE.	SECTION	COUNTY	TOTAL SHEETS	SHEET NO.
94	49-1-R-1	LAKE	677	100
CONTRACT NO. 60L77				
ILLINOIS FED. AID PROJECT				