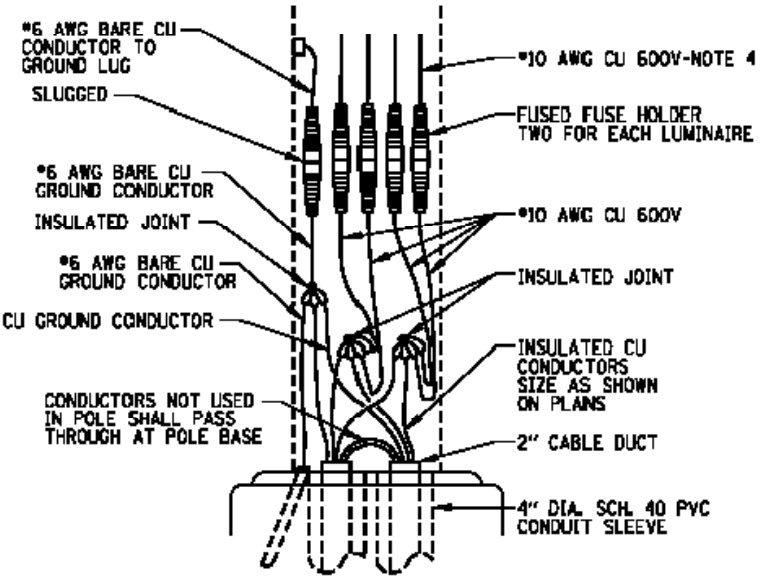
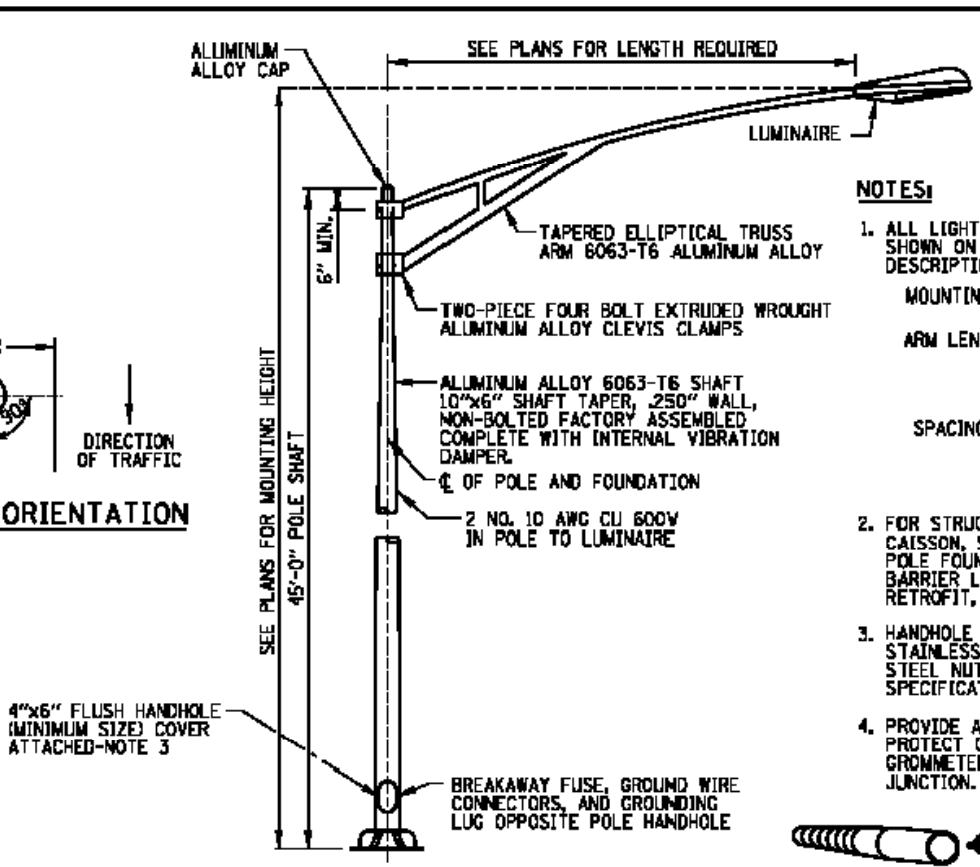


TWIN MAST LIGHT STANDARD DETAIL

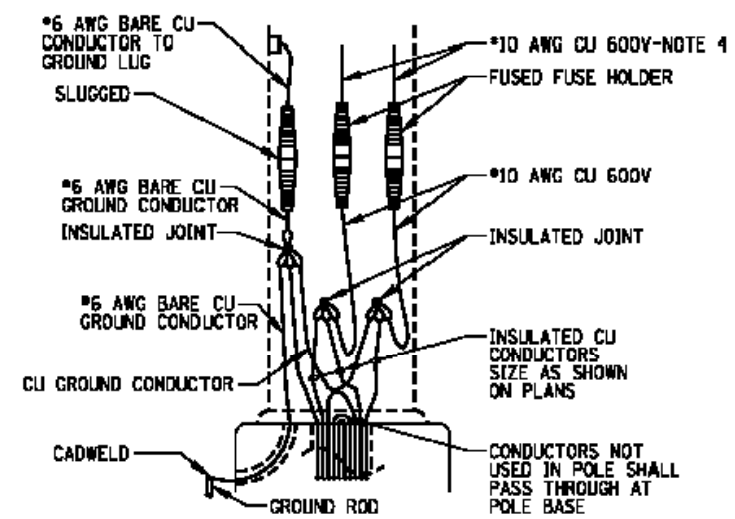


TWIN MAST POLE BASE WIRING DIAGRAM

APPROVED: *Paul Kovacs* DATE: 7-7-2012

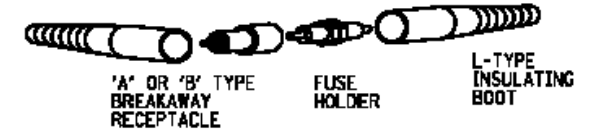


SINGLE MAST LIGHT STANDARD DETAIL

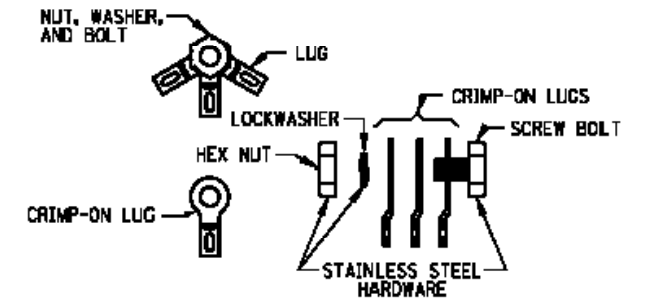


SINGLE MAST POLE BASE WIRING DIAGRAM

- NOTES:**
- ALL LIGHT STANDARDS, BOTH NEW AND EXISTING, ARE SHOWN ON PLANS WITH THE FOLLOWING SAMPLE DESCRIPTION:
 MOUNTING HEIGHT: 412-50-C9
 ARM LENGTH: M-C-III
 STATION OF LIGHT STANDARD: STA. 0 + 20
 DISTRIBUTION TYPE: CONTROL: S=SEMI-CUTOFF C=FULL CUTOFF
 - FOR STRUCTURAL DETAILS OF MEDIAN BARRIER AND CAISSON, SEE STANDARD H8 (MEDIAN BARRIER LIGHT POLE FOUNDATION DETAILS), STANDARD H9 (MEDIAN BARRIER LIGHT POLE FOUNDATION DETAILS - TYPE 4 RETROFIT, 32" BARRIER) OR STRUCTURAL PLANS.
 - HANDHOLE COVERS SHALL BE FASTENED USING TWO STAINLESS STEEL SCREWS WITH CAPTIVE STAINLESS STEEL NUTS OR INSERTS, PER THE SUPPLEMENTAL SPECIFICATIONS.
 - PROVIDE A 24" LONG POLYETHYLENE TUBE TO PROTECT CABLES WHERE THEY PASS THROUGH THE GROMMETTED OPENING AT THE POLE/MAST ARM JUNCTION.



IN-THE-LINE FUSE HOLDER DETAIL WITH BREAKAWAY FEATURE



JOINT ASSEMBLY DETAILS

Illinois Tollway
Open Roads for a Smoother Future

DATE: 7-7-2012
 REVISIONS: 1. PROPOSED LIGHT POLE HANDHOLE NOTES, REMOVED CABLE VOLTAGE, AND REVISED NOTES.

LIGHT STANDARD POLE WIRING
 STANDARD H2-01

s:\projects\3031.us_41-usa_to_11.173 - bba\proj\set_work\disciplines\electrical\sheet\01086.77-shc-light.02.dwg

EJM ENGINEERING, INC.
 411 South Wells Street Suite 1000
 Chicago, Illinois 60607

FILE NAME	USER NAME: rasonson	DESIGNED: RAS	REVISED:
		DRAWN: BHH	REVISED:
		CHECKED: MKR	REVISED:
		DATE: 6/19/2012	REVISED:

STATE OF ILLINOIS
 DEPARTMENT OF TRANSPORTATION

TOLLWAY STANDARD DRAWINGS
 SCALE: NONE SHEET NO. 52 OF 53 SHEETS STA. TO STA.

F.A. RTE.	SECTION	COUNTY	TOTAL SHEETS	SHEET NO.
94	49-1-R-1	LAKE	677	412
CONTRACT NO. 60L77				
ILLINOIS FED. AID PROJECT				