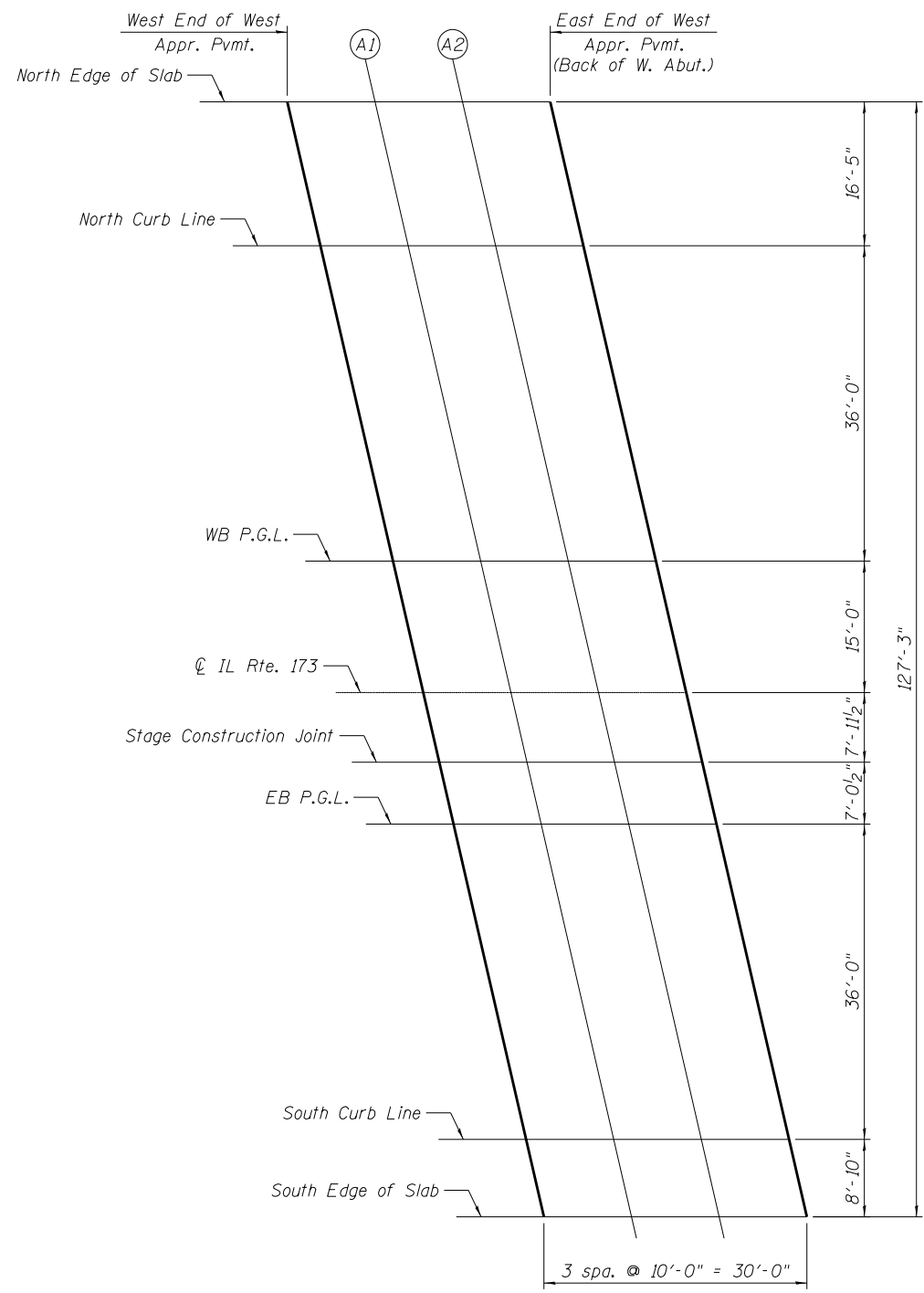


6/19/2012 11:04:47 AM S:\10105_CADD\60L77_IL_173\60L77_Sheets\0490535-60L77-01-ASE1.dgn



PLAN



NORTH EDGE OF SLAB

Location	Station	Offset	Theoretical Grade Elevations
W. end of West Appr. Pvmnt.	2030+05.58	-67.42	765.04
A1	2030+15.58	-67.42	765.08
A2	2030+25.58	-67.42	765.13
E. end of West Appr. Pvmnt.	2030+35.58	-67.42	765.17

EB P.G.L.

Location	Station	Offset	Theoretical Grade Elevations
W. end of West Appr. Pvmnt.	2030+24.55	15.00	765.53
A1	2030+34.55	15.00	765.58
A2	2030+44.55	15.00	765.62
E. end of West Appr. Pvmnt.	2030+54.55	15.00	765.67

NORTH CURB LINE

Location	Station	Offset	Theoretical Grade Elevations
W. end of West Appr. Pvmnt.	2030+09.36	-51.00	764.71
A1	2030+19.36	-51.00	764.76
A2	2030+29.36	-51.00	764.80
E. end of West Appr. Pvmnt.	2030+39.36	-51.00	764.85

SOUTH CURB LINE

Location	Station	Offset	Theoretical Grade Elevations
W. end of West Appr. Pvmnt.	2030+32.84	51.00	764.82
A1	2030+42.84	51.00	764.87
A2	2030+52.84	51.00	764.91
E. end of West Appr. Pvmnt.	2030+62.84	51.00	764.96

WB P.G.L.

Location	Station	Offset	Theoretical Grade Elevations
W. end of West Appr. Pvmnt.	2030+17.65	-15.00	765.50
A1	2030+27.65	-15.00	765.55
A2	2030+37.65	-15.00	765.59
E. end of West Appr. Pvmnt.	2030+47.65	-15.00	765.64

SOUTH EDGE OF SLAB*

Location	Station	Offset	Theoretical Grade Elevations
W. end of West Appr. Pvmnt.	2030+34.87	59.83	764.65
A1	2030+44.87	59.83	764.69
A2	2030+54.87	59.83	764.74
E. end of West Appr. Pvmnt.	2030+64.87	59.83	764.78

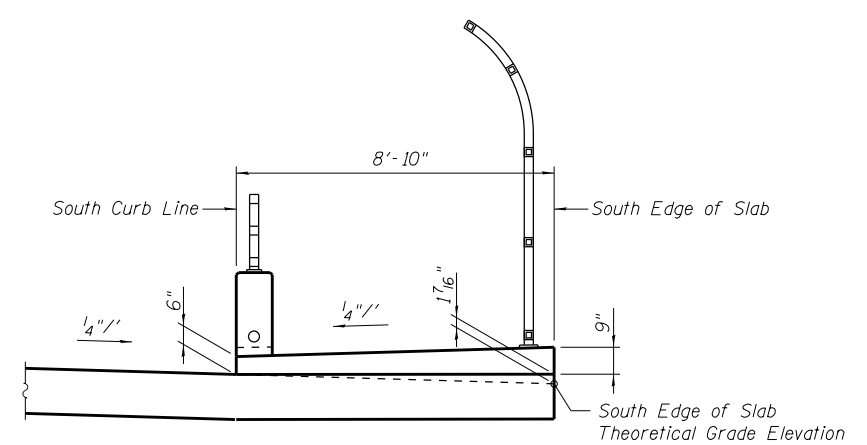
*See Section Thru Sidewalk (this sheet) for location of South Edge of Slab Theoretical Grade Elevation

IL RTE. 173

Location	Station	Offset	Theoretical Grade Elevations
W. end of West Appr. Pvmnt.	2030+21.10	0.00	765.83
A1	2030+31.10	0.00	765.87
A2	2030+41.10	0.00	765.92
E. end of West Appr. Pvmnt.	2030+51.10	0.00	765.97

STAGE CONSTRUCTION JOINT

Location	Station	Offset	Theoretical Grade Elevations
W. end of West Appr. Pvmnt.	2030+22.93	7.96	765.67
A1	2030+32.93	7.96	765.72
A2	2030+42.93	7.96	765.76
E. end of West Appr. Pvmnt.	2030+52.93	7.96	765.81



SECTION THRU SIDEWALK
(Looking East)

BOWMAN, BARRETT & ASSOCIATES INC.
CONSULTING ENGINEERS
Chicago, Illinois
312.228.0100
www.bbandatinc.com

USER NAME =	DESIGNED - MRM	DATE - 6/19/2012
	CHECKED - TL	REVISED -
PLOT SCALE =	DRAWN - LAM	REVISED -
PLOT DATE =	CHECKED - MRM	REVISED -

**STATE OF ILLINOIS
DEPARTMENT OF TRANSPORTATION**

**TOP OF WEST APPROACH SLAB ELEVATIONS
STRUCTURE NO. 049-0535 (BRIDGE NO. 441)**

SHEET NO. S-11 OF S-36 SHEETS

F.A.I. RTE.	SECTION	COUNTY	TOTAL SHEETS	SHEET NO.
94	49-1-R-1	LAKE	677	449
CONTRACT NO. 60L77				
ILLINOIS FED. AID PROJECT				