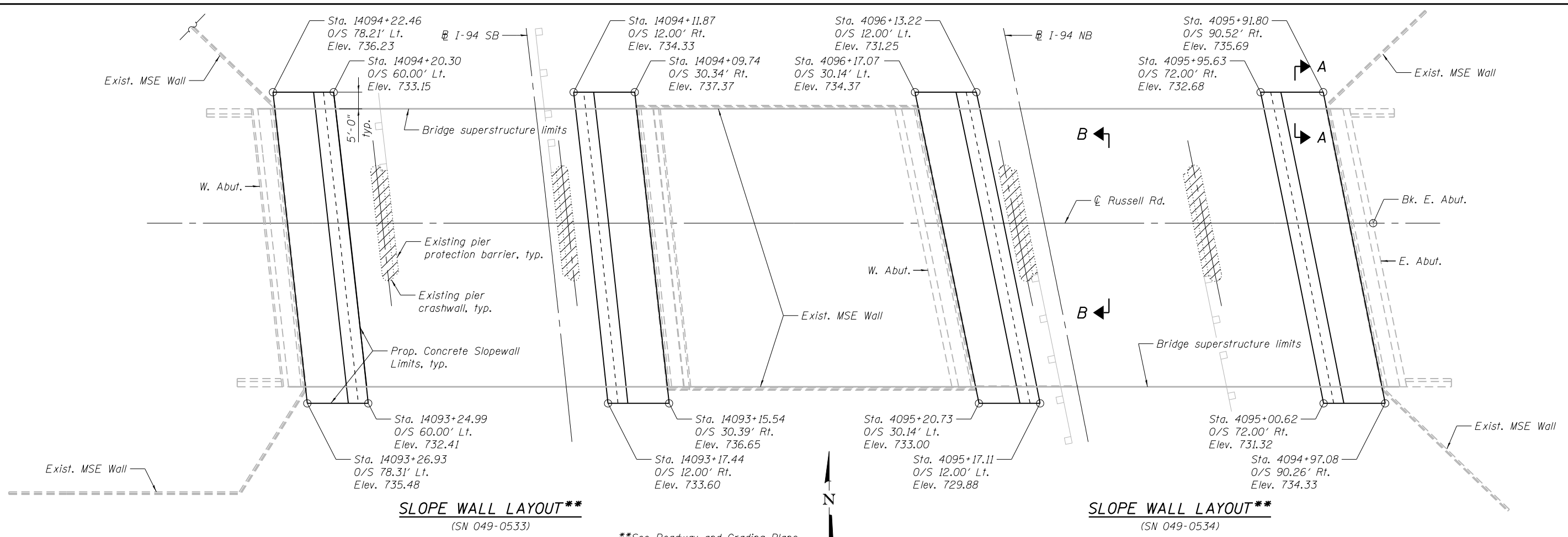
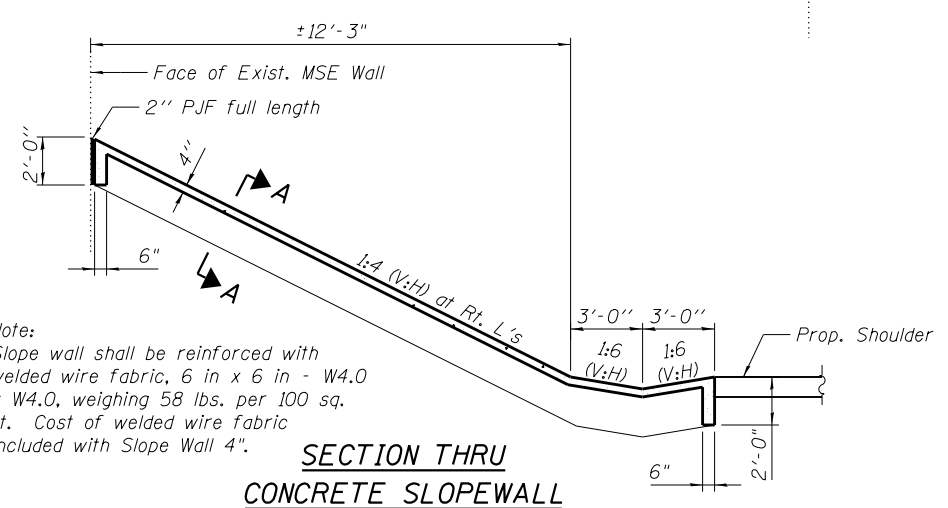
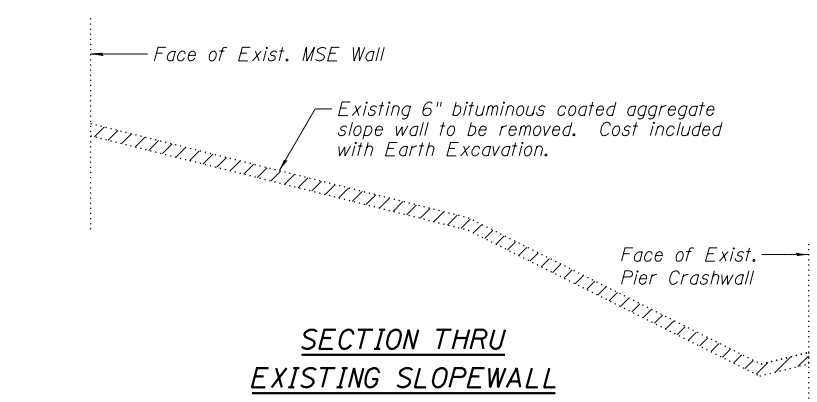


6/19/2012 11:02:43 AM

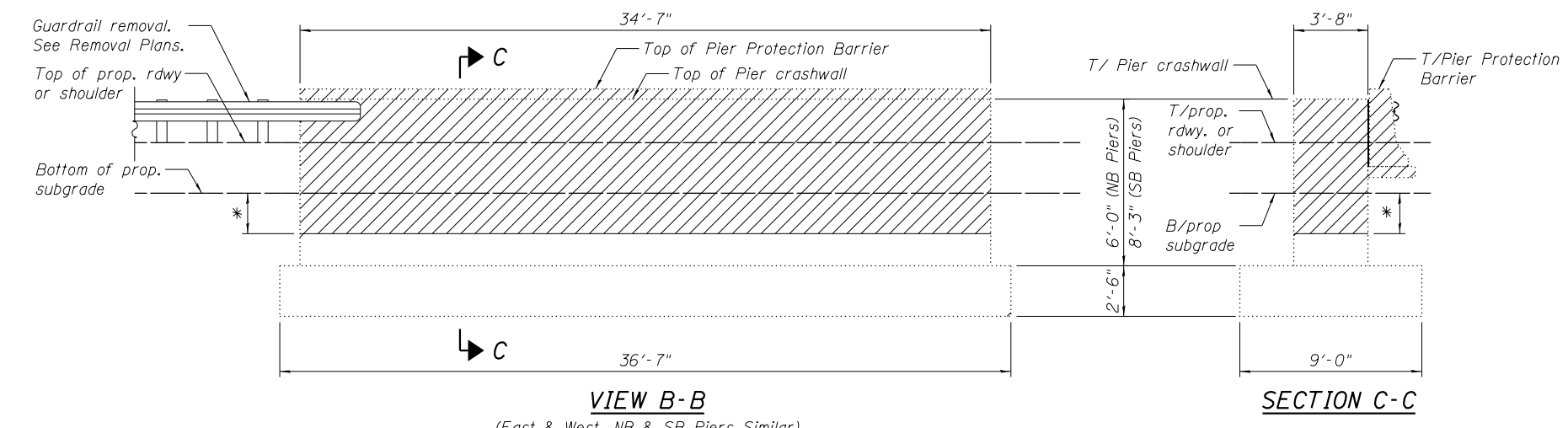
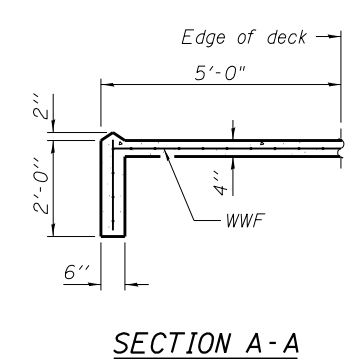
S:\10105_CADD\60L77_IL_173\60L77_Sheets\0490533-60L77-001-RD.dgn



**See Roadway and Grading Plans



Note:
Slope wall shall be reinforced with welded wire fabric, 6 in x 6 in - W4.0 x W4.0, weighing 58 lbs. per 100 sq. ft. Cost of welded wire fabric included with Slope Wall 4".



*Limits of Exist. Pier Crashwall Removal to extend 2' below bottom of proposed subgrade.

TOTAL BILL OF MATERIAL

ITEM	UNIT	TOTAL
Slopewall 4 Inch	Sq Yd	794
Concrete Removal	Cu Yd	149.4

LEGEND



- NOTES:**
- Cost of Pier Crashwall and Pier Protection Barrier Removal included with Concrete Removal.
 - SN 049-0533 & SN 049-0534 existing elements constructed under Contract 60L76.

BOWMAN, BARRETT & ASSOCIATES INC.
CONSULTING ENGINEERS
Chicago, Illinois
312.228.0100
www.bbandatinc.com

USER NAME =	DESIGNED - DF	DATE - 6/19/2012
PLLOT SCALE =	CHECKED - MRM	REVISED -
PLLOT DATE =	DRAWN - LAM	REVISED -
	CHECKED - DF	REVISED -

STATE OF ILLINOIS
DEPARTMENT OF TRANSPORTATION

SLOPE WALL DETAILS & EXISTING PIER REMOVAL AT RUSSELL ROAD
STRUCTURE NO. 049-0533 & 049-0534

F.A.I. RTE.	SECTION	COUNTY	TOTAL SHEETS	SHEET NO.
94	49-1-R-1	LAKE	677	481
CONTRACT NO. 60L77				

SHEET NO. S-1 OF S-1 SHEETS

ILLINOIS FED. AID PROJECT