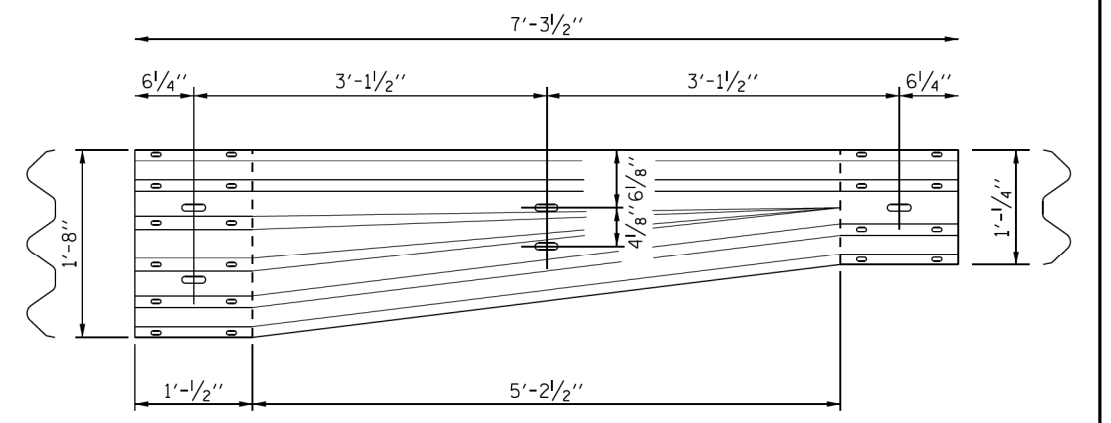


- NOTES:**
- SEE STANDARD C1 FOR DETAILS OF GUARDRAIL NOT SHOWN.
 - THRIE BEAM RAIL SHALL BE BOLTED TO BLOCK-OUT AT ALL POSTS.
 - ALL SLOPE RATIOS ARE EXPRESSED AS UNITS OF VERTICAL DISPLACEMENT TO UNITS OF HORIZONTAL DISPLACEMENT (V:H).
 - THE TYPE T6B TERMINAL IS TYPICALLY UTILIZED TO ATTACH GALVANIZED STEEL PLATE BEAM GUARDRAIL AT THE UPSTREAM END OF THE BRIDGE CONCRETE PARAPET, WHERE A ROADSIDE GUTTER IS NOT TO BE INSTALLED.
 - UNDER NO CIRCUMSTANCES SHALL EXISTING TERMINAL, THAT WAS DESIGNED USING A PREVIOUS STANDARD, BE ATTACHED TO OR MODIFIED IN ANYWAY FROM ITS ORIGINAL DESIGN. IF ANY MODIFICATION IS REQUIRED AND A PROPER BARRIER WARRANT HAS BEEN COMPLETED, THE ENTIRE BARRIER INSTALLATION SHALL BE COMPLETELY REMOVED AND REPLACED WITH A NEW SYSTEM THAT CONFORMS TO THE CURRENT STANDARD.
 - TRAFFIC BARRIER TERMINAL SHALL BE IN ACCORDANCE WITH THE MANUFACTURE'S DETAILS AND SPECIFICATIONS.
 - TERMINAL POSTS SHALL NOT BE INSTALLED IN CONCRETE OR HMA PAVEMENTS. WHEN NECESSARY USE LEAVE-OUT DETAIL PER STANDARD C1, SHEET 4 OF 4.
 - TERMINAL BARRIER CLEARANCE DISTANCE SHALL CONFORM WITH TABLE 2 ON STANDARD C1.



Paul Kovacs
APPROVED CHIEF ENGINEER DATE 7-1-2009

REVISIONS	
3-1-2010	REVISED NOTES
1-1-2011	REMOVED EMBANKMENT SLOPE, REVISED WOOD BLOCKOUT DIMENSION
2-7-2012	REVISED BOLT NOTES, ANCHORAGE ADHESIVE AND REVISED NOTES.

SHEET 1 OF 2

Illinois Tollway
Open Roads for a Faster Future

TRAFFIC BARRIER
TERMINAL, TYPE T6B

STANDARD C10-03

BOWMAN, BARRETT & ASSOCIATES INC.
CONSULTING ENGINEERS
Chicago, Illinois
312.228.0100
www.bbandainc.com

FILE NAME = \$FILES\$	USER NAME = default	DESIGNED -	REVISED -
		DRAWN -	REVISED -
	PLOT SCALE = H=1"=10' V=1"=5'	CHECKED - RGR	REVISED -
	PLOT DATE = 6/18/2012	DATE - 6/19/2012	REVISED -

STATE OF ILLINOIS
DEPARTMENT OF TRANSPORTATION

TOLLWAY STANDARD DRAWING	
SCALE:	SHEET NO. N/A OF N/A SHEETS
STA.	TO STA.

F.A. RTE.	SECTION	COUNTY	TOTAL SHEETS	SHEET NO.
94	49-1-R-1	LAKE	677	645
CONTRACT NO. 60L77				
ILLINOIS FED. AID PROJECT				

S:\1101\95-CADD\60L77_IL_175\60L77_Sheets\160L77-INT-151TH.dgn