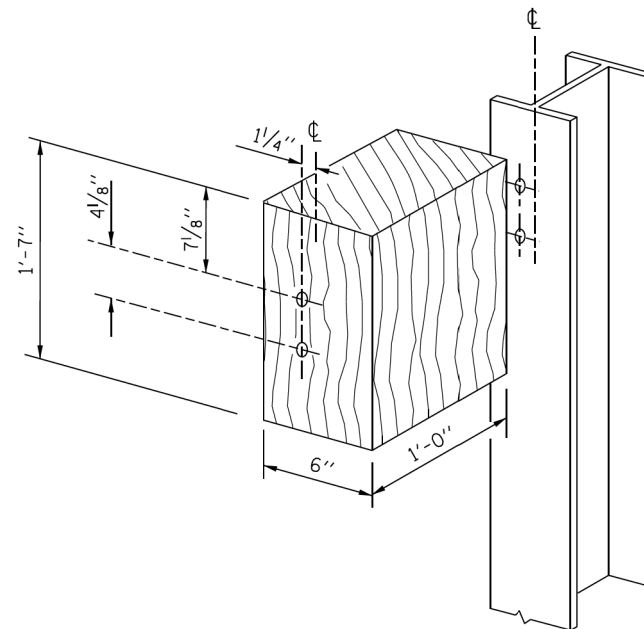
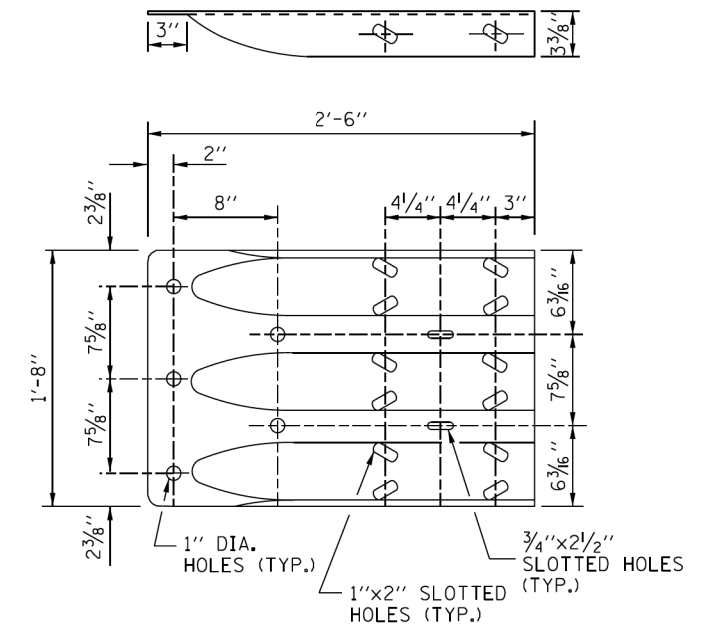


POSTS 1-11 WOOD BLOCKOUT DETAIL

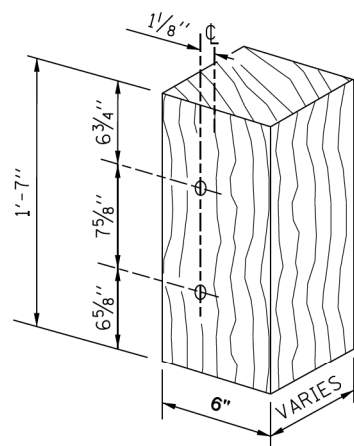


POST 12 WOOD BLOCKOUT DETAIL

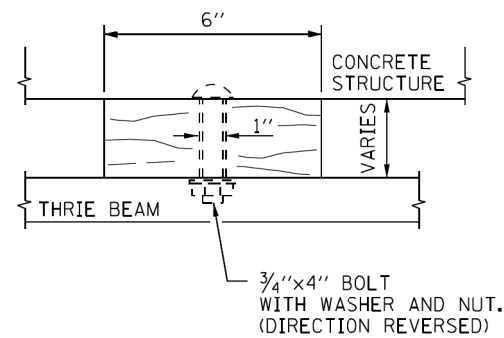
(SEE STANDARD C1 FOR POST 13-17 BLOCKOUTS)



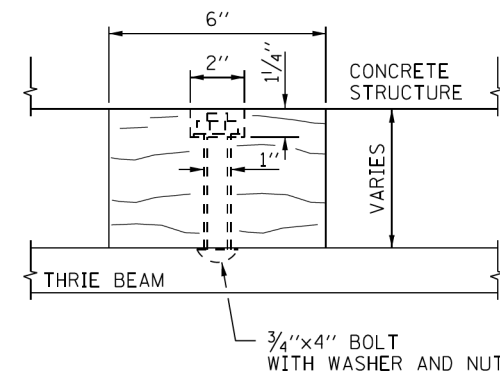
THRIE BEAM END SHOE DETAIL



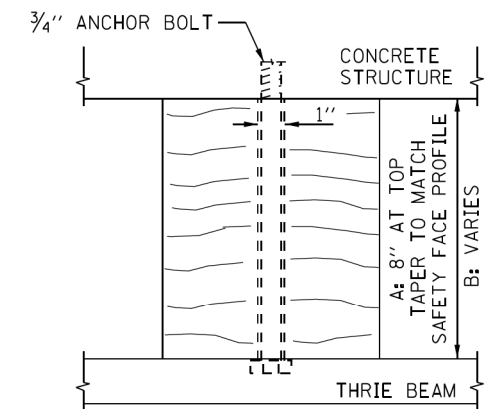
MODIFIED THICKNESS DETAIL
WOOD BLOCKOUTS A, B, C, & D



WOOD BLOCKOUT D



WOOD BLOCKOUT C



WOOD BLOCKOUT A & B

Paul Kovacs
APPROVED CHIEF ENGINEER DATE 7-1-2009

NOTE:
SEE SHEET 1 OF THIS SERIES FOR NOTES.

SHEET 2 OF 2

TRAFFIC BARRIER
TERMINAL, TYPE T6B
STANDARD C10-03

BOWMAN, BARRETT & ASSOCIATES INC.
CONSULTING ENGINEERS
Chicago, Illinois
312.228.0100
www.bbandainc.com



FILE NAME = \$FILES\$	USER NAME = default	DESIGNED -	REVISED -
		DRAWN -	REVISED -
	PLOT SCALE = H=1'-10" V=1'-5"	CHECKED - RGR	REVISED -
	PLOT DATE = 6/18/2012	DATE - 6/19/2012	REVISED -

DESIGNED -	REVISED -
DRAWN -	REVISED -
CHECKED - RGR	REVISED -
DATE - 6/19/2012	REVISED -

**STATE OF ILLINOIS
DEPARTMENT OF TRANSPORTATION**

TOLLWAY STANDARD DRAWING

SCALE: SHEET NO. N/A OF N/A SHEETS STA. TO STA.

F.A. RTE.	SECTION	COUNTY	TOTAL SHEETS	SHEET NO.
94	49-1-R-1	LAKE	677	646
CONTRACT NO. 60L77				
ILLINOIS FED. AID PROJECT				

S:\1101\95-CADD\60L77 IL 175\60L77 Sheets\0160L77-INT-151TH.dgn