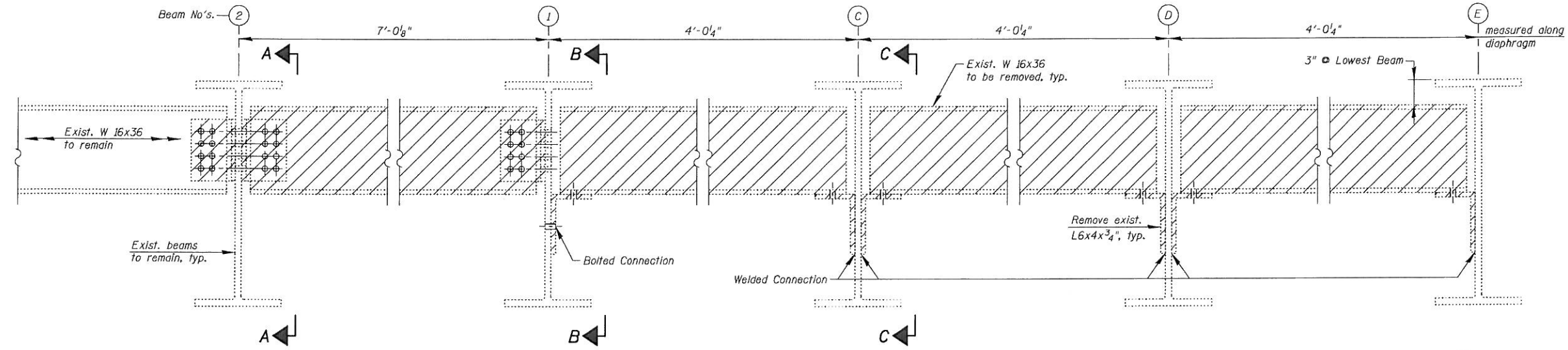
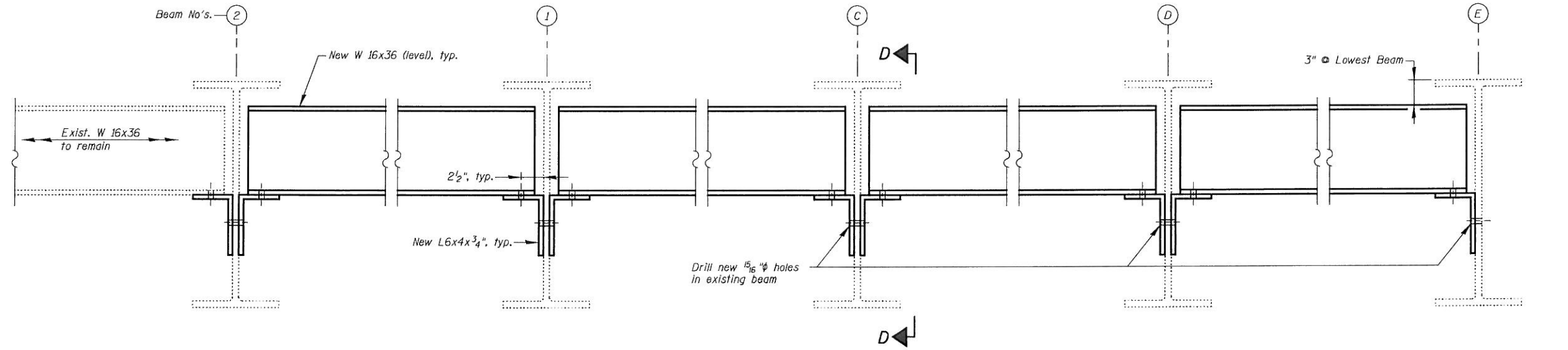


FILE NAME = I:\02915\_Touhy\_Ave\Structural\CADD Sheets\DI60P72-13-repair\_w-abut.dgn



**EXISTING END DIAPHRAGMS AT WEST ABUTMENT  
(Looking East)**



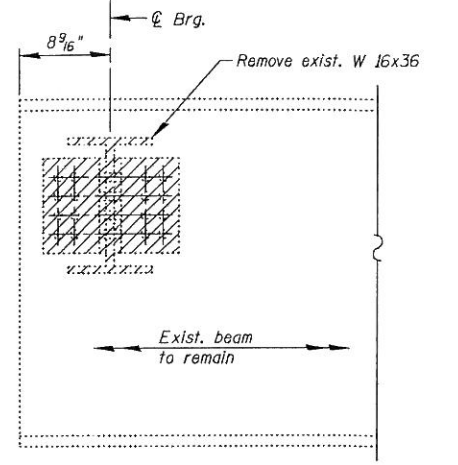
**PROPOSED END DIAPHRAGMS AT WEST ABUTMENT  
(Looking East)**

Note:  
Two hardened washers required for all 15/16" holes for diaphragm connections.

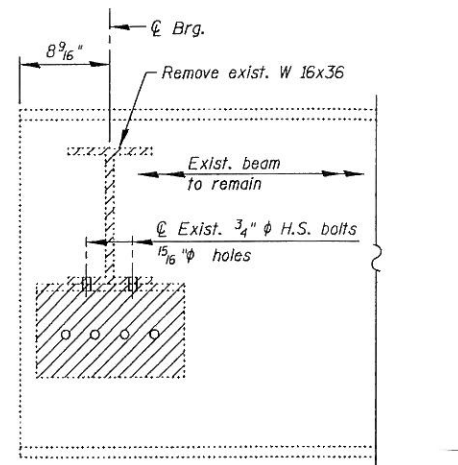
**BILL OF MATERIAL**  
(for both abutments)

| ITEM                                     | UNIT  | QUANTITY |
|--|-------|----------|
| Structural Steel Removal                 | Pound | 2,100    |
| Furnishing and Erecting Structural Steel | Pound | 2,100    |

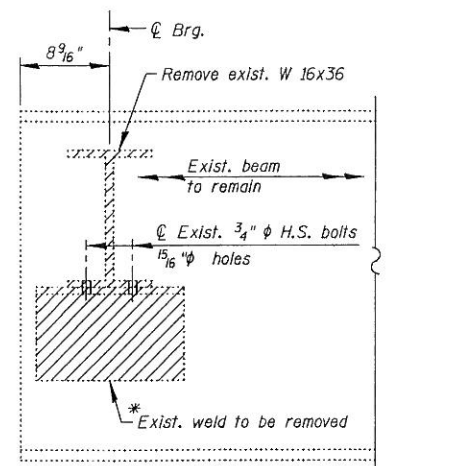
**LEGEND:**  
 Structural Steel Removal



**SECTION A-A**

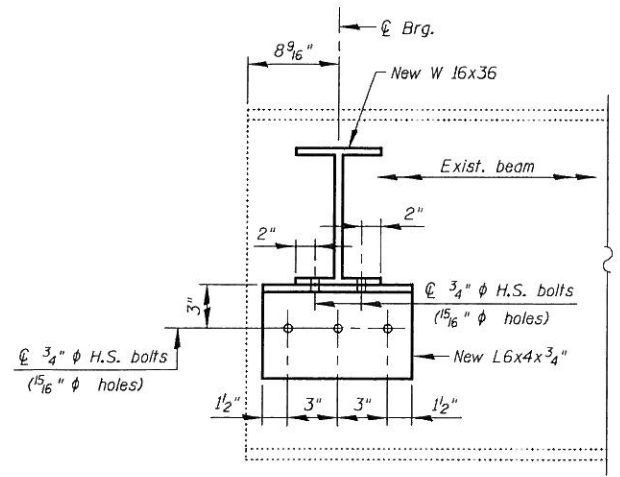


**SECTION B-B**

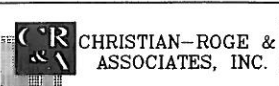


**SECTION C-C**

\*Weld to be removed using the air-arc method. The Contractor must ensure that no damage is done to the girder web during removal. Cost included with Structural Steel Removal



**SECTION D-D**



USER NAME = IDOT  
 DESIGNED - J.C.N./B.N.S.  
 CHECKED - B.N.S./J.C.N.  
 DRAWN - F.M.  
 PLOT DATE = 5/14/2012

REVISED -  
 REVISED -  
 REVISED -  
 REVISED -

**STATE OF ILLINOIS  
DEPARTMENT OF TRANSPORTATION**

**STRUCTURAL STEEL REPAIRS-WEST ABUTMENT  
STRUCTURE NO. 016-0713**

SHEET NO. S13 OF S21 SHEETS

| F.A.I. RTE.               | SECTION        | COUNTY | TOTAL SHEETS | SHEET NO. |
|---------------------------|----------------|--------|--------------|-----------|
| 94                        | 0304, 1 HB-1-2 | COOK   | 44           | 24        |
| CONTRACT NO. 60P72        |                |        |              |           |
| ILLINOIS FED. AID PROJECT |                |        |              |           |