

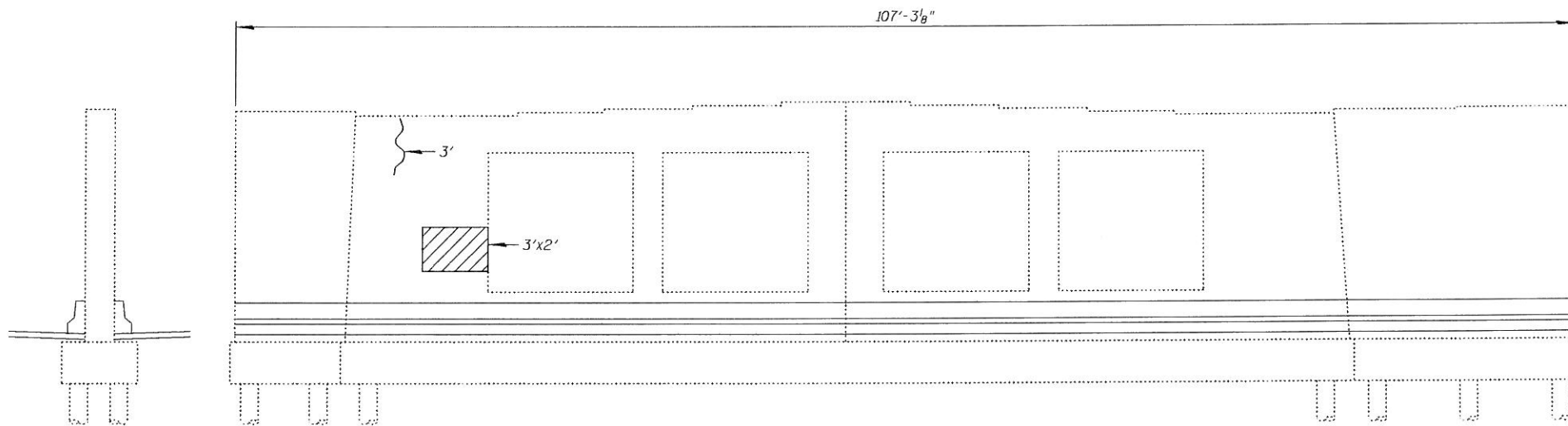


**PIER 2**  
(Looking West)

**LEGEND:**  
 Structural Repair of Concrete  
 (Depth Equal To or Less Than 5 Inches)  
 Cracks (perform Epoxy Crack Injection)



**PIER 2**  
(Looking East)

**BILL OF MATERIAL**

ITEM	UNIT	QUANTITY
Structural Repair of Concrete (Depth Equal To or Less Than 5 Inches)	Sq Ft	12
Epoxy Crack Injection	Foot	3

FILE NAME = I:\102915\_Touhy\_Ave\Structural\CADD Sheets\160P72-17-pier-2.dgn

**CHRISTIAN-ROGE & ASSOCIATES, INC.**

USER NAME = IDDT	DESIGNED - J.C.N./B.N.S.	REVISED -
PLLOT SCALE = 49.999968' / IN.	CHECKED - B.N.S./J.C.N.	REVISED -
PLLOT DATE = 5/14/2012	DRAWN - F.M.	REVISED -
	DATE - JANUARY 6, 2012	REVISED -

**STATE OF ILLINOIS  
DEPARTMENT OF TRANSPORTATION**

**PIER 2 REPAIRS  
STRUCTURE NO. 016-0713**

SHEET NO. S17 OF S21 SHEETS

F.A.I. RTE.	SECTION	COUNTY	TOTAL SHEETS	SHEET NO.
94	0304, 1 HB-1-2	COOK	44	28
				CONTRACT NO. 60P72
ILLINOIS FED. AID PROJECT				