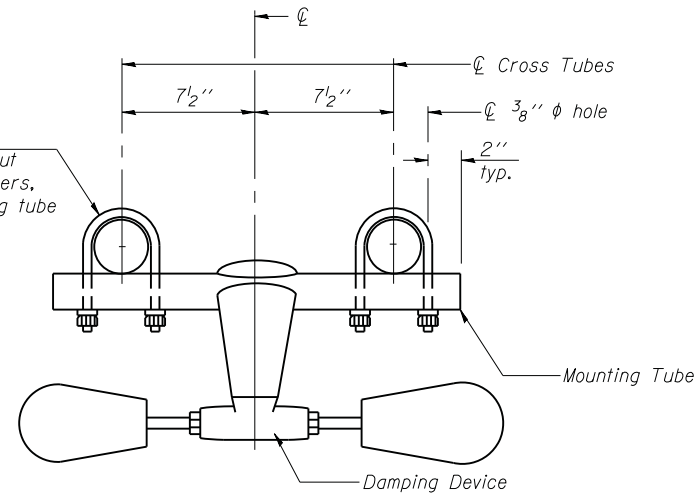
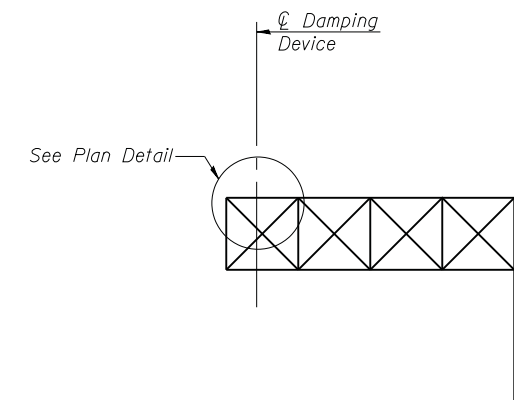


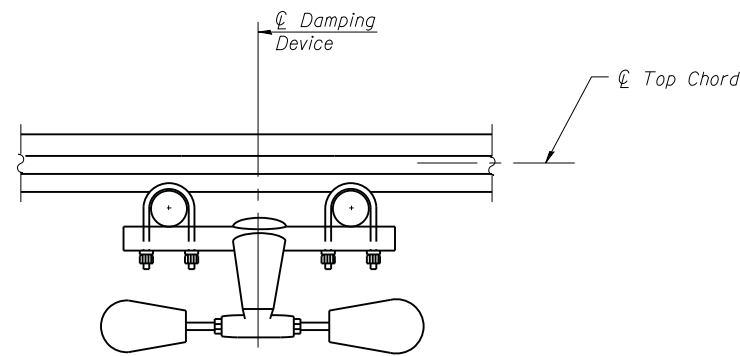
PLAN DETAIL



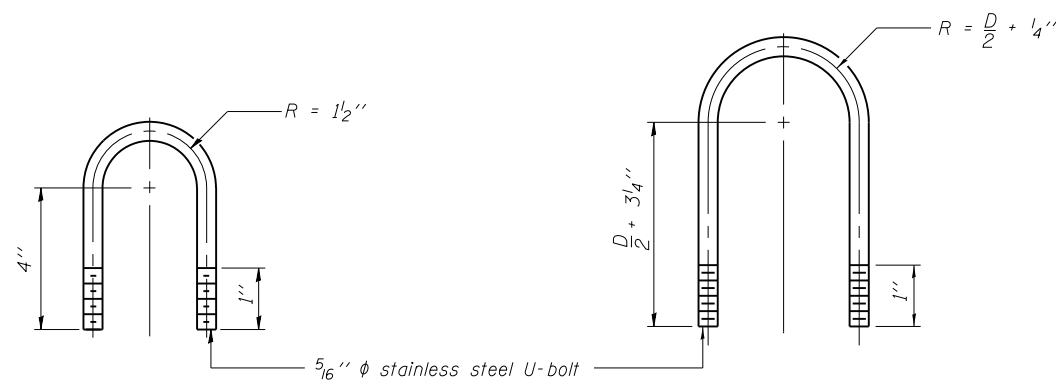
TRUSS DAMPING DEVICE CONNECTION DETAIL



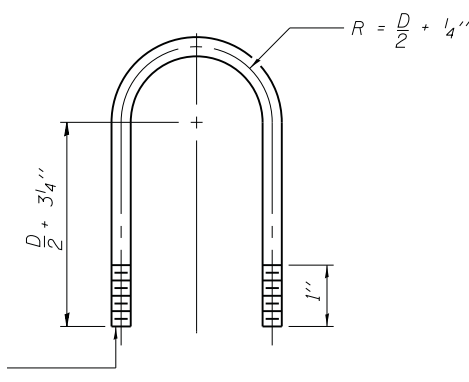
ELEVATION
Aluminum Cantilever Sign Structure



SECTION A-A



DAMPING DEVICE MOUNTING TUBE U-BOLT DETAIL
(Typical)



TOP CHORD TO CROSS TUBE U-BOLT DETAIL
(Typical)

GENERAL NOTES

- Damper: One damper per truss. (31 lbs. Stockbridge-Type Aluminum-29" minimum between ends of weights)
- Materials: Aluminum tubes shall be ASTM B221 alloy 6061 temper T6

COMPANY NAME: HRGreen
PROJECT CONTACT: HRGreen
DATE PLOTTED: 5/17/2012 14:43:32 PM
FILE NAME: 86100196.11-sign-10.dgn
PLOT DRIVER: pdfcut
PEN TABLE: Struct 22x34.tbl

OSC-A-D

9-15-11



USER NAME = mhardin	DESIGNED - J. GUERRIERO	REVISED -
PLOT SCALE = N/A	DRAWN - J. GUERRIERO	REVISED -
PLOT DATE = 5/17/2012	CHECKED - R. DAVIES	REVISED -
	DATE - 5/17/12	REVISED -

**STATE OF ILLINOIS
DEPARTMENT OF TRANSPORTATION**

**CANTILEVER SIGN STRUCTURE
DAMPING DEVICE**

SCALE: N/A SHEET NO. OF SHEETS STA. TO STA.

F.A. RTE.	SECTION	COUNTY	TOTAL SHEETS	SHEET NO.
332	2011-073-T	COOK	44	25
FED. ROAD DIST. NO. ILLINOIS FED. AID PROJECT			CONTRACT NO. 60P93	