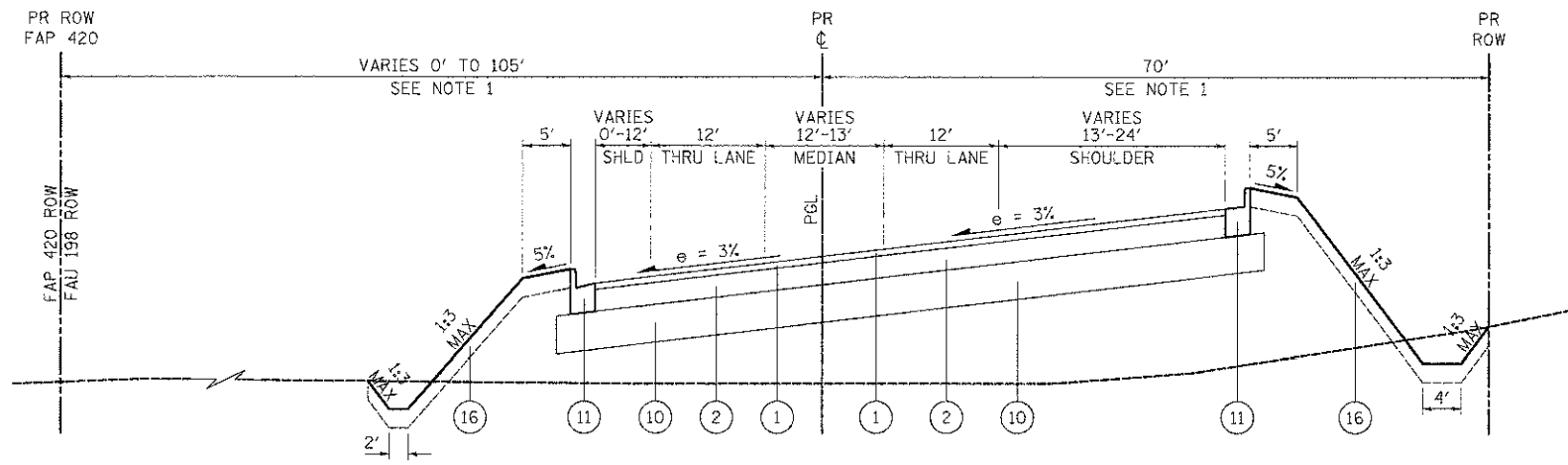


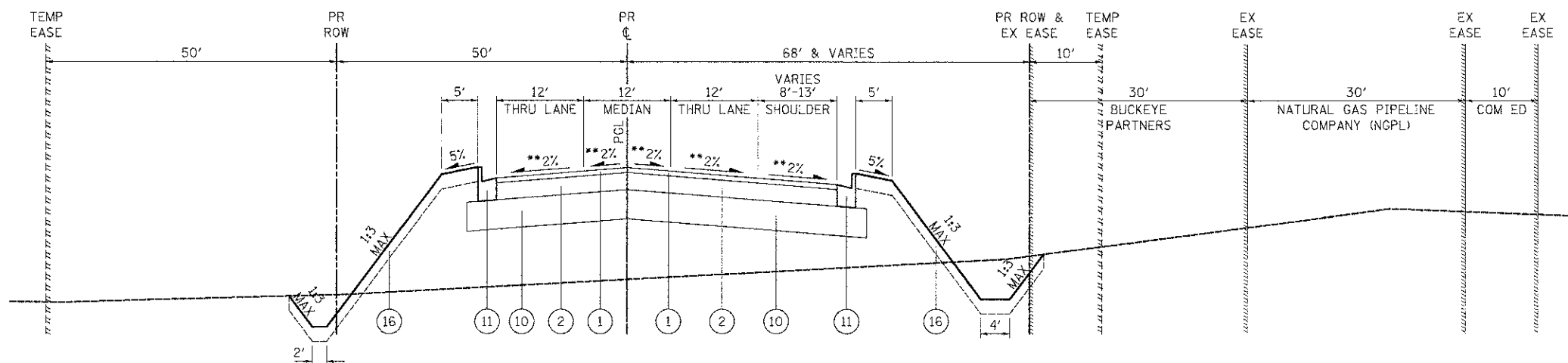
**ATKINSON ROAD - PROPOSED TYPICAL SECTION**

STA. 432+76.82 TO STA. 437+01  
 \*SUPERELEVATION TRANSITION FROM STA. 435+31 TO STA. 436+43  
 FULL SUPERELEVATION = 3.0% FROM STA. 436+43 TO STA. 437+01



**ATKINSON ROAD - PROPOSED TYPICAL SECTION**

STA. 437+01 TO STA. 442+82



**ATKINSON ROAD - PROPOSED TYPICAL SECTION**

STA. 442+82 TO STA. 446+01  
 \*\*SUPERELEVATION TRANSITION FROM STA. 442+82 TO STA. 443+94  
 SUPERELEVATION TRANSITION FROM STA. 444+68 TO STA. 446+01

**LEGEND**

- (A) EXISTING HMA PAVEMENT
- (B) EXISTING PCC PAVEMENT
- (C) EXISTING HMA SHOULDER
- (D) EXISTING AGGREGATE SHOULDER
- (1) HMA SURFACE COURSE, MIX "D", N70, 2"
- (2) HMA BINDER COURSE, IL-19.0, N70, 7"
- (3) HMA SURFACE COURSE, MIX "D", N70, 1 1/2"
- (4) HMA BASE COURSE, 7 1/2"
- (5) HMA BASE COURSE, 11"
- (6) HMA SURFACE COURSE, MIX "D", N50, 3"
- (7) POLYMERIZED HMA SURFACE COURSE, MIX "F", N90, 2"
- (8) HMA BASE COURSE, 8 1/2"
- (9) LEVELING BINDER (MACHINE METHOD), N70, VARIABLE DEPTH
- (10) AGGREGATE SUBGRADE, 12"
- (11) COMBINATION CONCRETE CURB AND GUTTER, TYPE B-6.24
- (12) HMA SHOULDERS, 6"
- (13) SUBBASE GRANULAR MATERIAL, TYPE B 6"
- (14) AGGREGATE SHOULDERS, TYPE B 6"
- (15) AGGREGATE WEDGE SHOULDER, TYPE B
- (16) TOPSOIL PLACEMENT, 6" SEEDING OR SODDING
- (17) STEEL PLATE BEAM GUARDRAIL, TYPE A, 9 FOOT POSTS

TITEMS NO. 1 & 2 WILL BE MEASURED IN SQUARE YARDS AND WILL BE PAID FOR AS HOT-MIX ASPHALT PAVEMENT (FULL-DEPTH), 9" FROM STA. 432+76.82 TO STA. 460+56.50

**NOTES**

1. ATKINSON ROAD CROSSES INTO FAP 420 ROW BETWEEN STA. 439+70 AND STA. 444+55.
2. SEE SUPERELEVATION TABLE ON SHEET NO. 91.



|                                      |                |            |
|--------------------------------------|----------------|------------|
| USER NAME: eds                       | DESIGNED: MJP  | REVISED: - |
| FILE NAME: ...2189-shr-tygcoe102.dgn | DRAWN: MJP     | REVISED: - |
| PLOT SCALE: 1/8" = 1' / 1"           | CHECKED: DNM   | REVISED: - |
| PLOT DATE: 2/2/2012                  | DATE: 02/06/12 | REVISED: - |

STATE OF ILLINOIS  
 DEPARTMENT OF TRANSPORTATION

PROPOSED TYPICAL SECTIONS

SCALE: N.T.S. SHEET NO. 2 OF 3 SHEETS STA. TO STA.

|   |                        |             |                    |              |
|---|------------------------|-------------|--------------------|--------------|
| F.A.U. RTE. 198                                 | SECTION 00-00045-00-PV | COUNTY LAKE | TOTAL SHEETS 195   | SHEET NO. 12 |
| FED. ROAD DIST. NO. 1 ILLINOIS FED. AID PROJECT |                        |             | CONTRACT NO. 63640 |              |