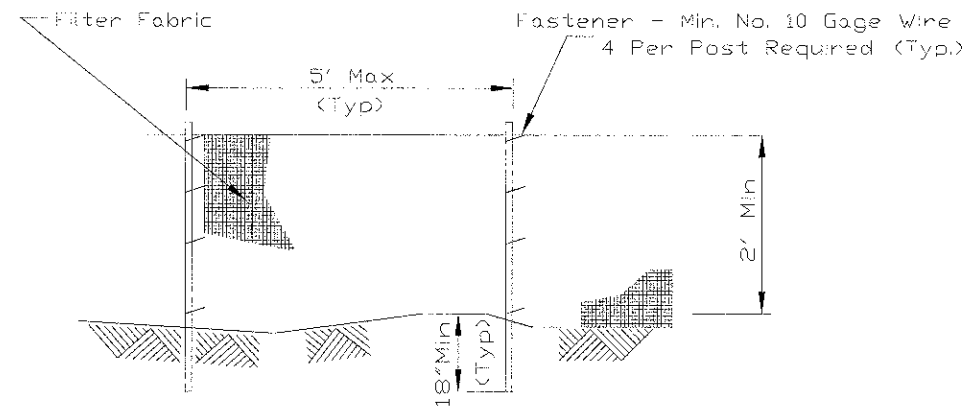
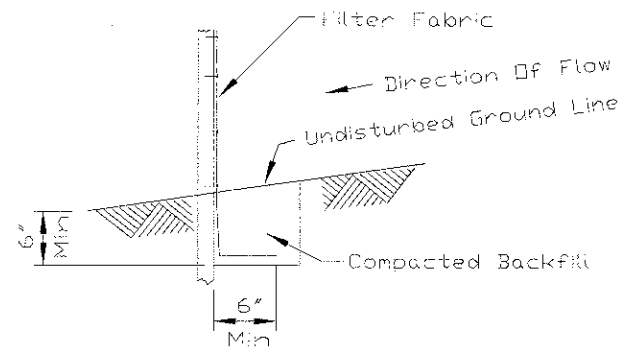


SILT FENCE PLAN



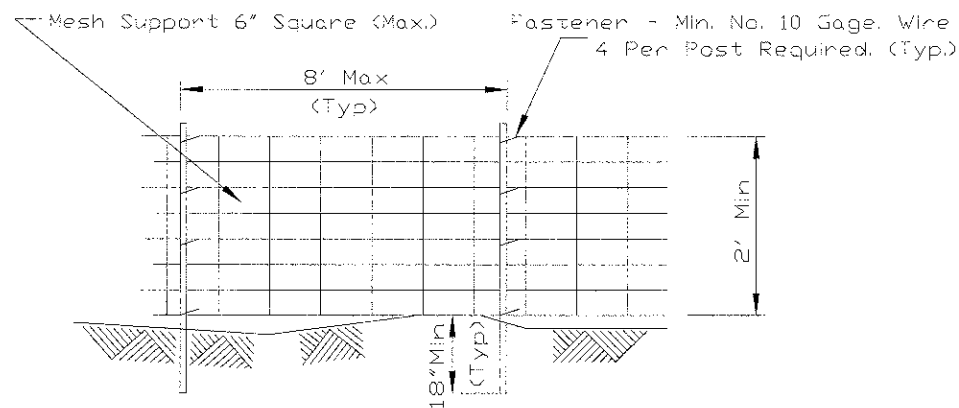
ELEVATION



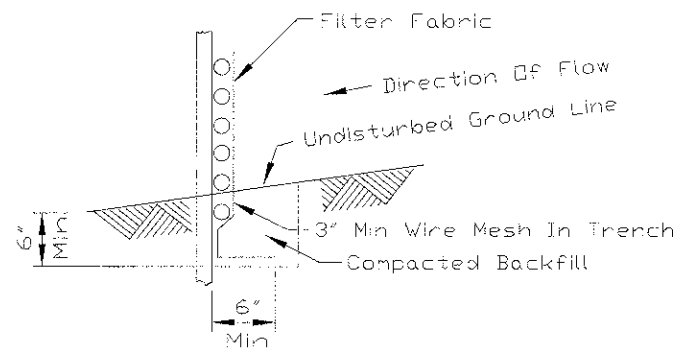
FABRIC ANCHOR DETAIL

- NOTES:
1. Temporary sediment fence shall be installed prior to any grading work in the area to be protected. They shall be maintained throughout the construction period and removed in conjunction with the final grading and site stabilization.
 2. Filter fabric shall meet the requirements of material specification 592 Geotextile Table 1 or 2, Class I with equivalent opening size of at least 30 for nonwoven and 50 for woven.
 3. Fence posts shall be either standard steel post or wood post with a minimum cross-sectional area of 3.0 sq. in.

SILT FENCE WITH WIRE SUPPORT PLAN



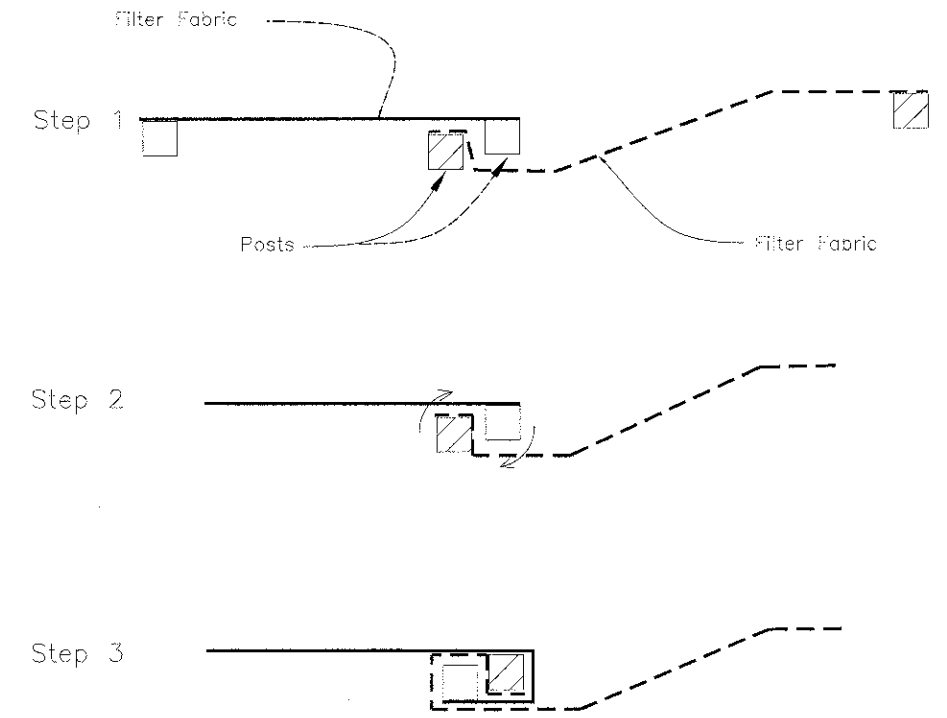
ELEVATION



FABRIC ANCHOR DETAIL

- NOTES:
1. Wires of mesh support shall be min. gage no. 12.
 2. Temporary sediment fence shall be installed prior to any grading work in the area to be protected. They shall be maintained throughout the construction period and removed in conjunction with the final grading and site stabilization.
 3. Filter fabric shall meet the requirements of material specification 592 Geotextile Table 1 or 2, Class I with equivalent opening size of at least 30 for nonwoven and 50 for woven.
 4. Fence posts shall be either standard steel post or wood post with a minimum cross-sectional area of 3.0 sq. in.

SILT FENCE



ATTACHING TWO SILT FENCES

- NOTES:
1. Place the end post of the second fence inside the end post of the first fence.
 2. Rotate both posts at least 180 degrees in a clockwise direction to create a tight seal with the fabric material.
 3. Drive both posts a minimum of 18 inches into the ground and bury the flap.

REFERENCE:
Project _____ Date _____
Designed _____ Date _____
Checked _____ Date _____
Approved _____ Date _____



STANDARD DWG. NO.
IL-620
SHEET 1 OF 2
DATE 11-20-01

REFERENCE:
Project _____ Date _____
Designed _____ Date _____
Checked _____ Date _____
Approved _____ Date _____



STANDARD DWG. NO.
IL-620W
SHEET 1 OF 2
DATE 3-3-95

REFERENCE:
Project _____ Date _____
Designed _____ Date _____
Checked _____ Date _____
Approved _____ Date _____



STANDARD DWG. NO.
IL-620(W)
SHEET 2 OF 2
DATE 1-29-99



USER NAME = eds
FILE NAME = ...N2199-shs2erous88.dgn
PLOT SCALE = 1.0000
PLOT DATE = 2/2/2012
DESIGNED - MJP
DRAWN - MJP
CHECKED - DNM
DATE - 02/06/12
REVISED -
REVISED -
REVISED -
REVISED -

STATE OF ILLINOIS
DEPARTMENT OF TRANSPORTATION

ATKINSON ROAD
EROSION AND SEDIMENT CONTROL DETAILS

SCALE: N.T.S. SHEET NO. 4 OF 6 SHEETS STA. TO STA.

F.A.U. RTE. 198 SECTION 00-00045-00-PV COUNTY LAKE TOTAL SHEETS 195 SHEET NO. 59 CONTRACT NO. 63640
FED. ROAD DIST. NO. 1 ILLINOIS FED. AID PROJECT