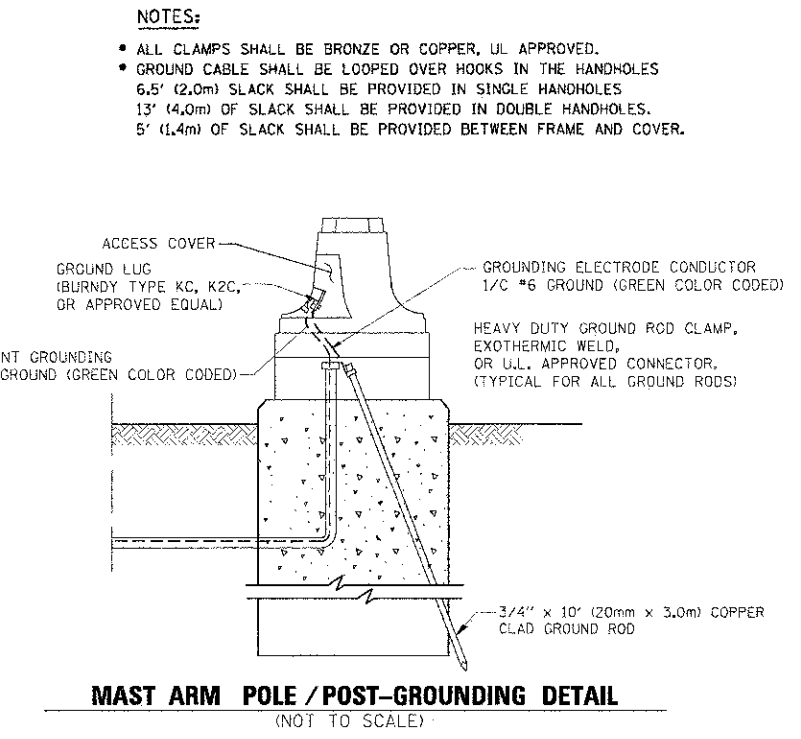
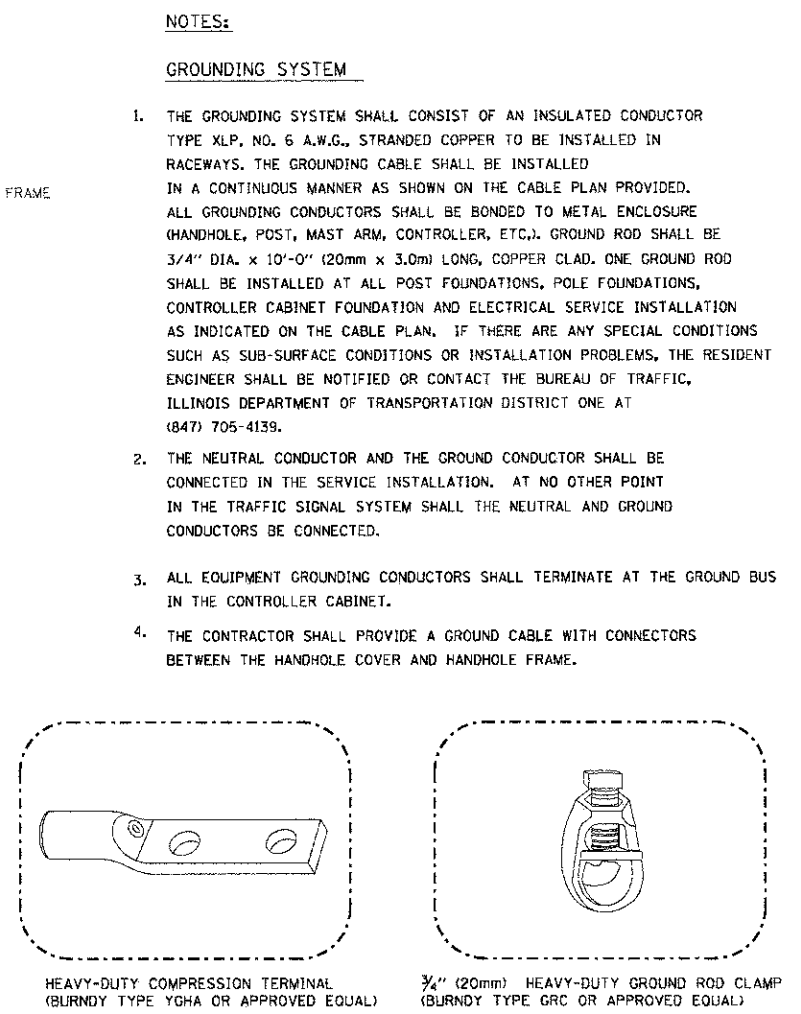
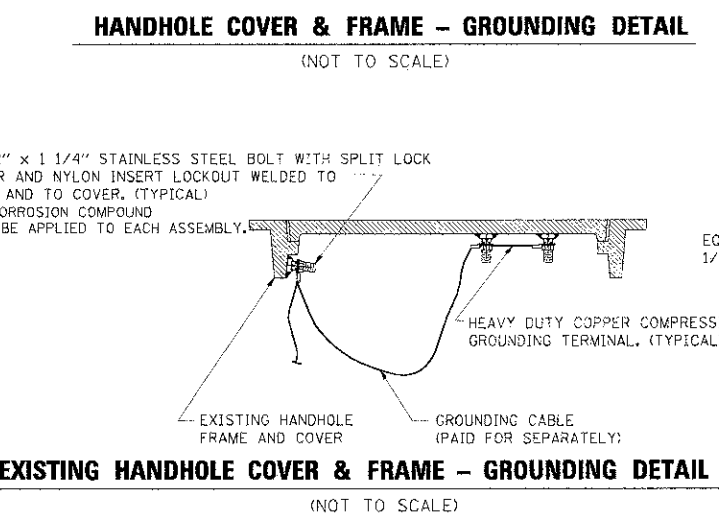
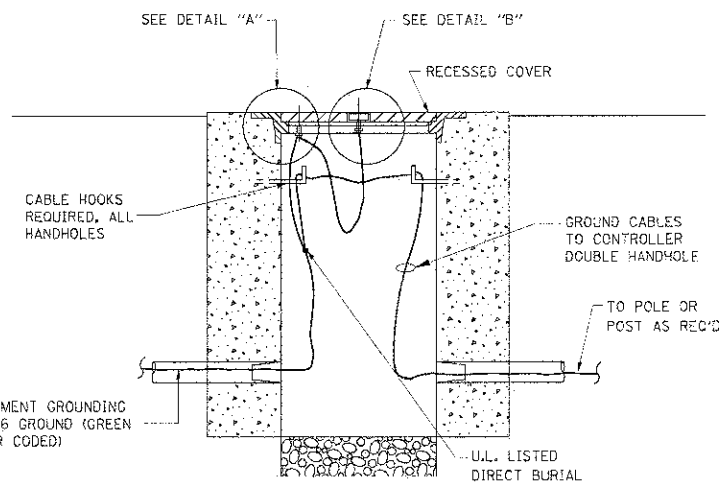
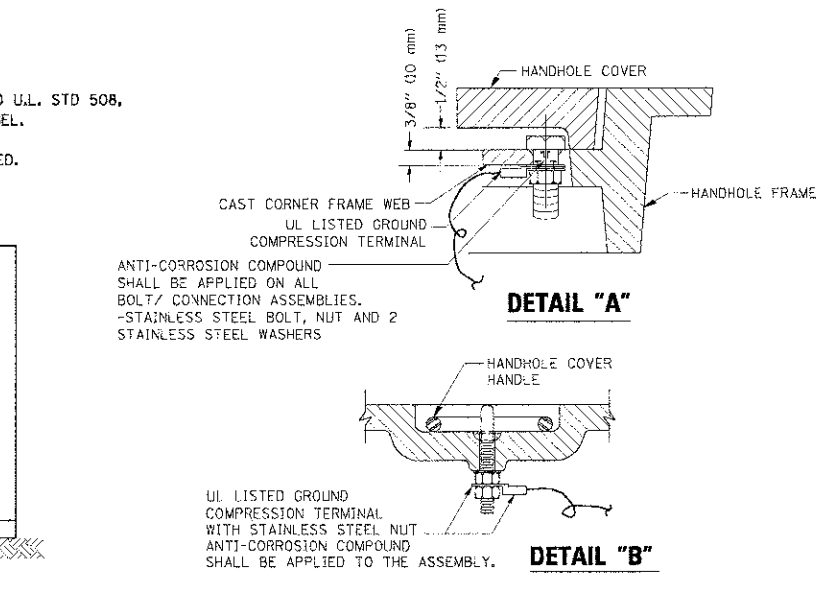
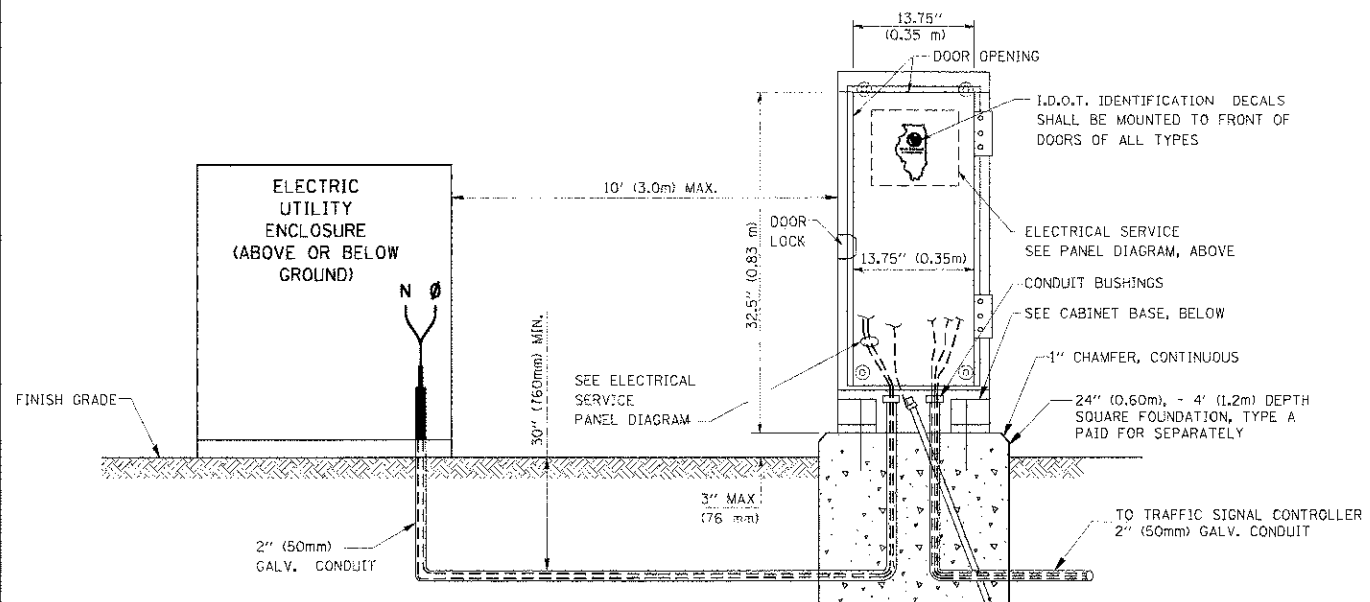


ELECTRICAL SERVICE - PANEL DIAGRAM (TYPICAL FOR POLE AND GROUND MOUNTED SERVICE)
SERVICE INSTALLATION POLE MOUNT (SHOWN)
 (NOT TO SCALE)



FILE NAME =	USER NAME =	DESIGNED - DAD	REVISED -
PROJECT WORKSPACE =	PROJECT FILE LOCATION =	DRAWN - BCK	REVISED -
	PLOT SCALE =	CHECKED - DAD	REVISED -
	PLOT DATE =	DATE - 10/28/09	REVISED -

STATE OF ILLINOIS
DEPARTMENT OF TRANSPORTATION

DISTRICT 1
STANDARD TRAFFIC SIGNAL DESIGN DETAILS

SCALE: SHEET NO. 3 OF 6 SHEETS STA. TO STA.

F.A.U. NO.	SECTION	COUNTY	TOTAL SHEETS	SHEET NO.
198	00-00045-00-PV	LAKE	195	113
CONTRACT NO. 63640		ILLINOIS FED. AID PROJECT		