

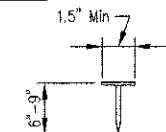
DETAIL 1

DETAIL 2

DETAIL 3



STAPLE DETAIL

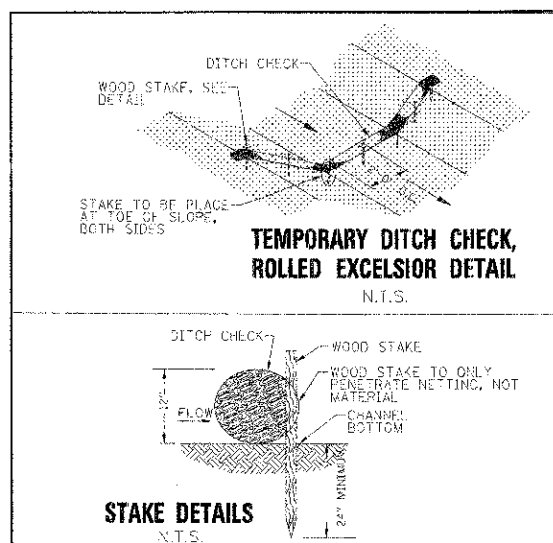


PUSH PIN DETAIL

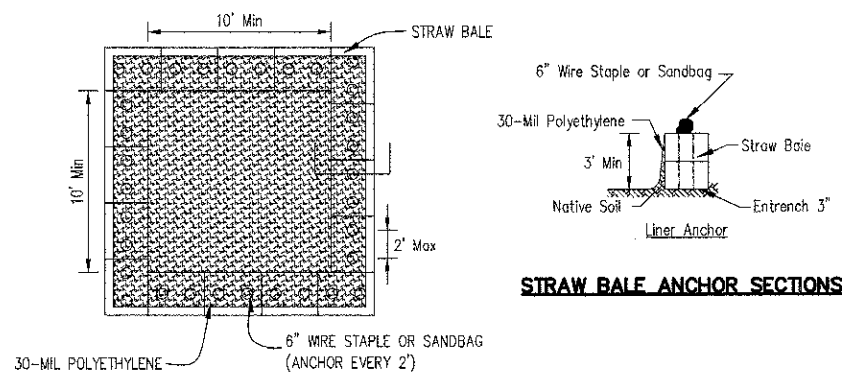
NOTES:

- STAPLES SHALL BE PLACED IN A DIAMOND PATTERN AT 2 PER S.Y. FOR STITCHED BLANKETS. NON-STICHED SHALL USE 4 STAPLES PER S.Y. OF MATERIAL. THIS EQUATES TO 200 STAPLES WITH STITCHED BLANKET AND 400 STAPLES WITH NON-STICHED BLANKET PER 100 S.Y. OF MATERIAL.
- STAPLE OR PUSH PIN LENGTHS SHALL BE SELECTED BASED ON SOIL TYPE AND CONDITIONS. (MINIMUM STAPLE LENGTH IS 6')
- EROSION CONTROL MATERIAL SHALL BE PLACED IN CONTACT WITH THE SOIL OVER A PREPARED SEEDBED.
- ALL ANCHOR SLOTS SHALL BE STAPLED AT APPROXIMATELY 12" INTERVALS.

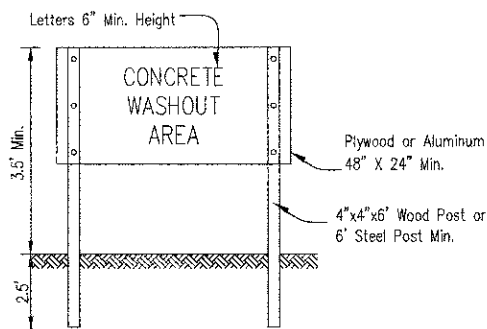
**EROSION CONTROL  
BLANKET INSTALLATION DETAILS**



STAKE DETAILS



PLAN VIEW

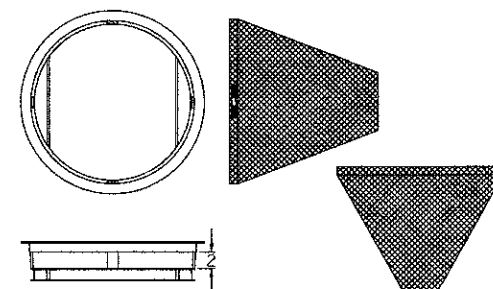


SIGN DETAIL

NOTES:

- MAINTAINING TEMPORARY CONCRETE WASHOUT FACILITIES SHALL INCLUDE REMOVING AND DISPOSING OF HARDENED CONCRETE AND/OR SLURRY AND RETURNING THE FACILITIES TO A FUNCTIONAL CONDITION.
- FACILITY SHALL BE CLEANED OR RECONSTRUCTED IN A NEW AREA ONCE WASHOUT BECOMES TWO-THIRDS FULL.
- EACH STRAW BALE IS TO BE STAKED IN PLACE USING (2) 2"X2"X4' WOODEN STAKES.
- OTHER WASHOUT DESIGNS MAY BE USED IF APPROVED BY THE ENGINEER.

**TEMPORARY CONCRETE  
WASHOUT FACILITY - STRAW BALE**



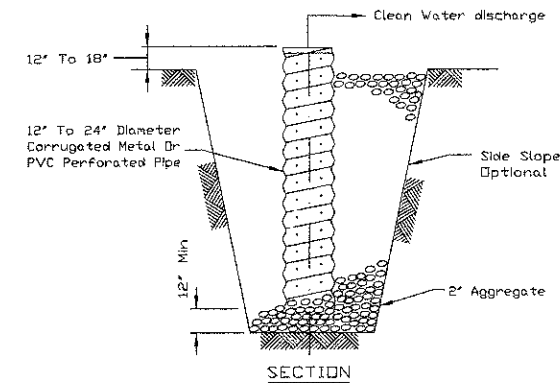
ROUND CATCH ALL

NOTES:

FRAME: TOP FLANGE FABRICATED FROM 1/4"X1/4"X1/8" ANGLE. BASE RIM FABRICATED FROM 1/2"X1/2"X1/8" CHANNEL. HANDLES AND SUSPENSION BRACKETS FABRICATED FROM 1/4"X1/4" FLAT STOCK. ALL STEEL CONFORMING TO ASTM-A36.

SEDIMENT BAG: BAG FABRICATED FROM 4 OZ./SQ.YD. NON-WOVEN POLYPROPYLENE GEOTEXTILE REINFORCED WITH POLYESTER MESH. BAG SECURED TO BASE RIM WITH A STAINLESS STEEL BAND AND LOCK.

**INLET FILTER DETAIL**

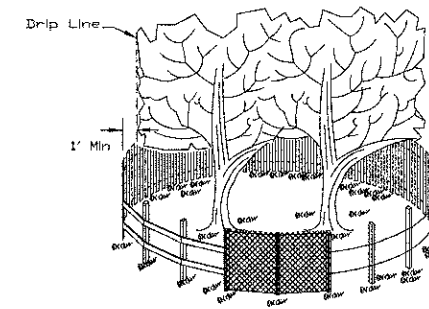


SECTION

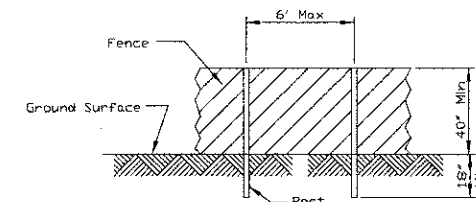
NOTES:

- PIT DIMENSIONS ARE OPTIONAL.
- THE STANDPIPE WILL BE CONSTRUCTED BY PERFORATING A 12"-24" DIAMETER CORRUGATED METAL OR PVC PIPE.
- A BASE OF 2" AGGREGATED WILL BE PLACED IN THE PIT TO A MINIMUM DEPTH OF 12". AFTER INSTALLING THE STANDPIPE, THE PIT SURROUNDING THE STANDPIPE WILL THEN BE BACKFILLED WITH 2" AGGREGATE.
- THE STANDPIPE WILL EXTEND 12" TO 18" ABOVE THE LIP OF THE PIT.
- IF DISCHARGE WILL BE PUMPED DIRECTLY TO A STORM DRAINAGE SYSTEM, THE STANDPIPE WILL BE WRAPPED WITH FILTER FABRIC BEFORE INSTALLATION.
- IF DESIRED, 1/4"-1/2" HARDWARE CLOTH MAY BE PLACED AROUND THE STANDPIPE PRIOR TO ATTACHING THE FILTER FABRIC. THIS WILL INCREASE THE RATE OF WATER SEEPAGE INTO THE PIPE.

**SUMP PIT PLAN**



SIDE VIEW



POST AND FENCE DETAIL

NOTES:

- THE FENCE SHALL BE LOCATED A MINIMUM OF 1 FOOT OUTSIDE THE DRIP LINE OF THE TREE TO BE SAVED AND IN NO CASE CLOSER THAN 5 FEET TO THE TRUNK OF ANY TREE.
- FENCE POSTS SHALL BE EITHER STANDARD STEEL POSTS OR WOOD POSTS WITH A MINIMUM CROSS SECTIONAL AREA OF 3.0 SQ. IN.
- THE FENCE MAY BE EITHER 40" HIGH SNOW FENCE, 40" PLASTIC WEB FENCING OR ANY OTHER MATERIAL AS APPROVED BY THE ENGINEER/INSPECTOR.
- TO BE PAID FOR AS "TEMPORARY FENCE."

**TREE PROTECTION FENCING**

FILE NAME = W:\Projects\2010\100091 - Board\SPET\ered\Civil\Drawings\EROS\_3.dgn

USER NAME = rporras	DESIGNED - DPB	REVISED -
PLOT SCALE = AS SHOWN	DRAWN - NDP	REVISED -
PLOT DATE = 5/11/2012	CHECKED - DPB	REVISED -
	DATE - 5/14/12	REVISED -

F.A.P. RTE. 0336	SECTION 00-00259-00-BT	COUNTY KANE	TOTAL SHEETS 79	SHEET NO. 25
CONTRACT NO. 63667				
FED. ROAD DIST. NO. ILLINOIS FED. AID PROJECT				