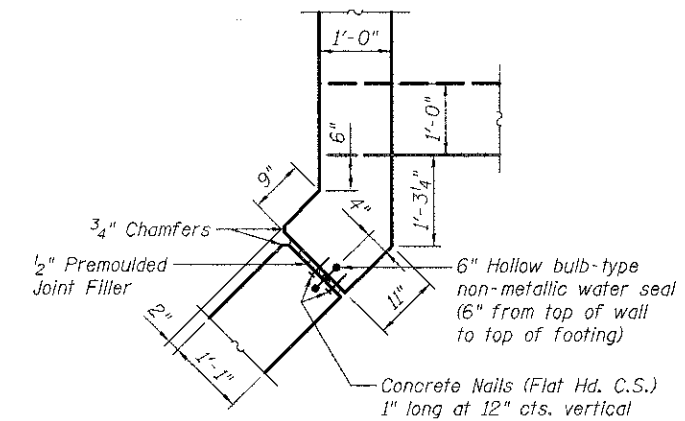
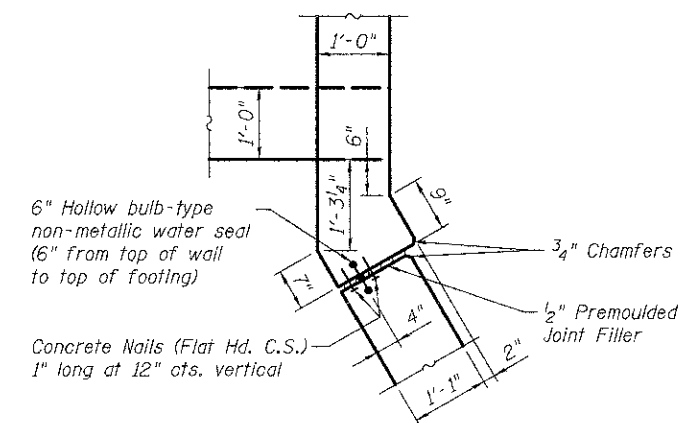


DRAIN DETAIL



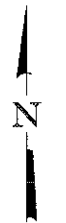
CORNER DETAIL

45° Wingwalls



CORNER DETAIL

60° Wingwalls



PLAN

FILE NAME = \\NA\Projects\2010\1120091\_SouthSPET11\_cadd\Structural\Drawings\17-EndSec-EndSec.dwg

**WILLS BURKE KELSEY ASSOCIATES LTD.**  
 116 West Main Street, Suite 201  
 St. Charles, Illinois 60174  
 (630) 443-7755

|                       |                |           |
|-----------------------|----------------|-----------|
| USER NAME = nparris   | DESIGNED - DLS | REVISED - |
|                       | CHECKED - AEU  | REVISED - |
| PLOT SCALE =          | DRAWN - DLS    | REVISED - |
| PLOT DATE = 5/11/2012 | CHECKED - AEU  | REVISED - |

**STATE OF ILLINOIS**  
**DEPARTMENT OF TRANSPORTATION**

**END SECTION DETAILS I**  
**STRUCTURE NO. 045-3181**

SHEET NO. 9 OF 20 SHEETS

|   |                |        |              |           |
|---|----------------|--------|--------------|-----------|
| F.A.P. RTE.                                     | SECTION        | COUNTY | TOTAL SHEETS | SHEET NO. |
| 0336  | 00-00259-00-BT | KANE   | 79           | 37        |
| CONTRACT NO. 63667                              |                |        |              |           |
| FED. ROAD DIST. NO. [ILLINOIS] FED. AID PROJECT |                |        |              |           |