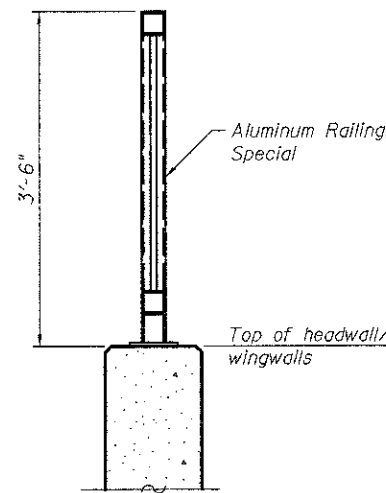
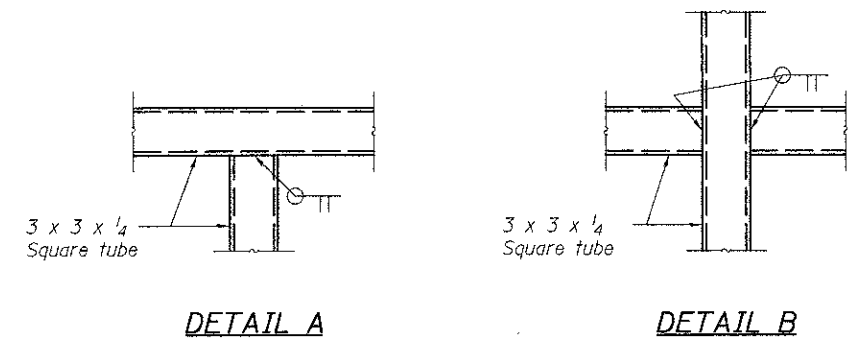


**ELEVATION**  
**ALUMINUM RAILING, SPECIAL**

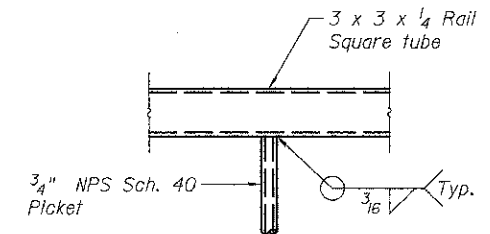


**SECTION**

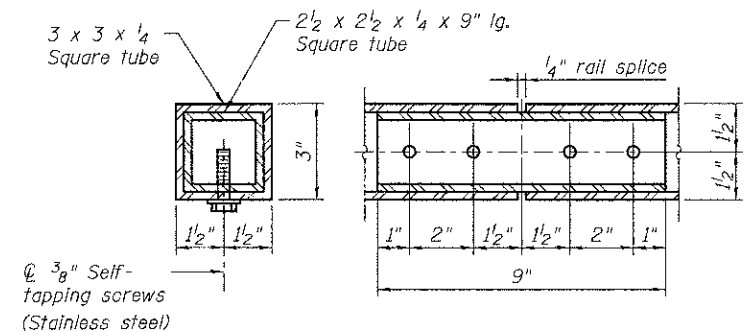


**DETAIL A**

**DETAIL B**



**DETAIL C**



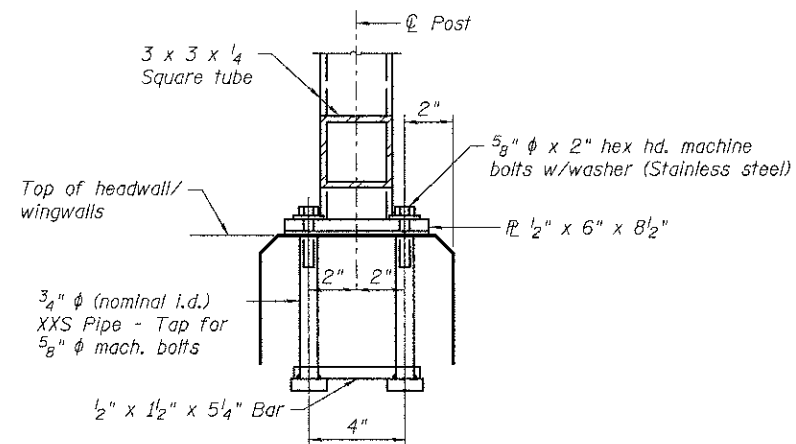
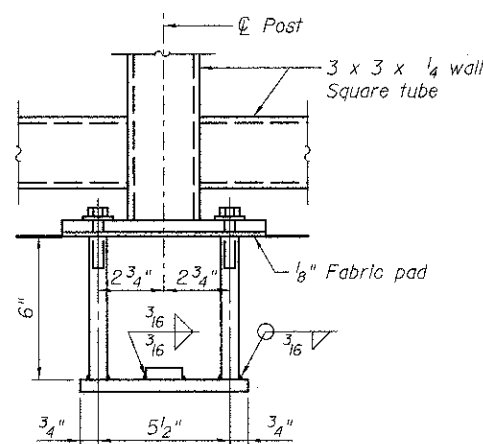
**RAIL SPLICE**

**BILL OF MATERIAL**

Item	Unit	Quantity
Aluminum Railing, Special	Foot	116

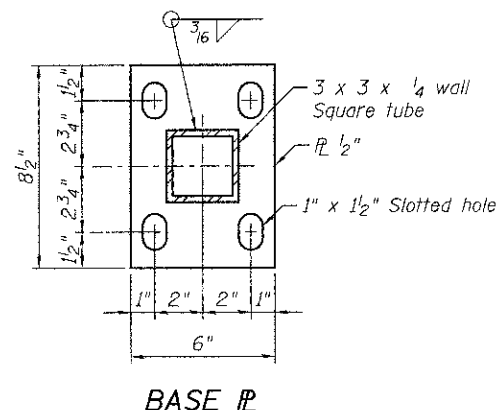
**NOTES**

- All work shall conform to the special provision Aluminum Railing, Special.
- Reinforcement shall be spaced to miss anchor rods.



**ANCHOR BOLT DETAILS**

In lieu of the cast-in-place anchor device shown, the Contractor has the option of drilling and setting 5/8"  $\phi$  anchor rods according to Article 509.06 of the Standard Specifications. Embedment shall be according to the manufacturer's specifications.



**BASE PL**

FILE NAME = M:\Projects\2010\04\04\Structural\Drawings\04-53181-6367-012-Rail.Dwg

USER NAME = mparms	DESIGNED - DLS	REVISED -
PLOT SCALE =	CHECKED - AEU	REVISED -
PLOT DATE = 5/11/2012	DRAWN - DLS	REVISED -
	CHECKED - AEU	REVISED -

F.A.P. RTE.	SECTION	COUNTY	TOTAL SHEETS	SHEET NO.
0336	00-00259-00-BT	KANE	79	40
CONTRACT NO. 63667				
FED. ROAD DIST. NO.	ILLINOIS FED. AID PROJECT			