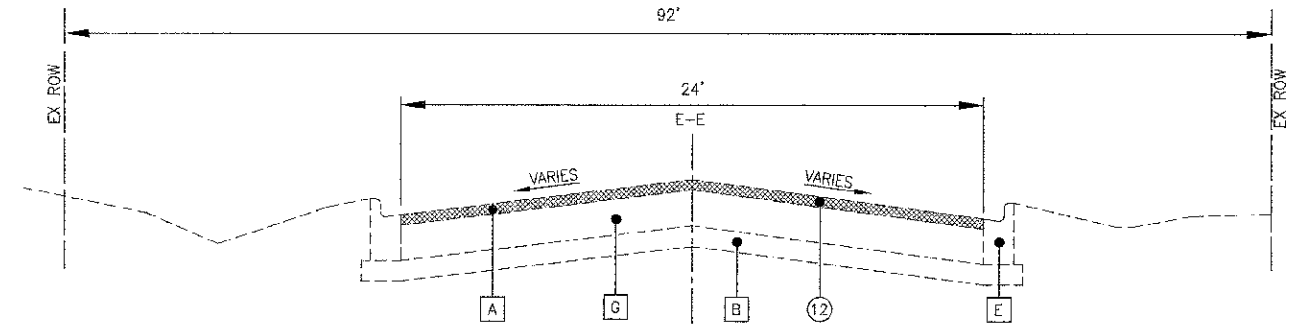
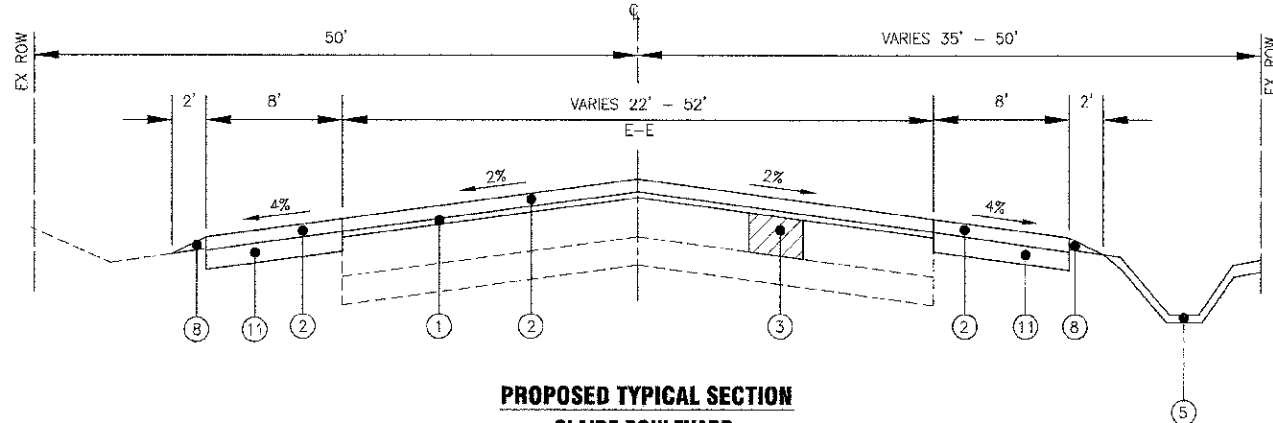


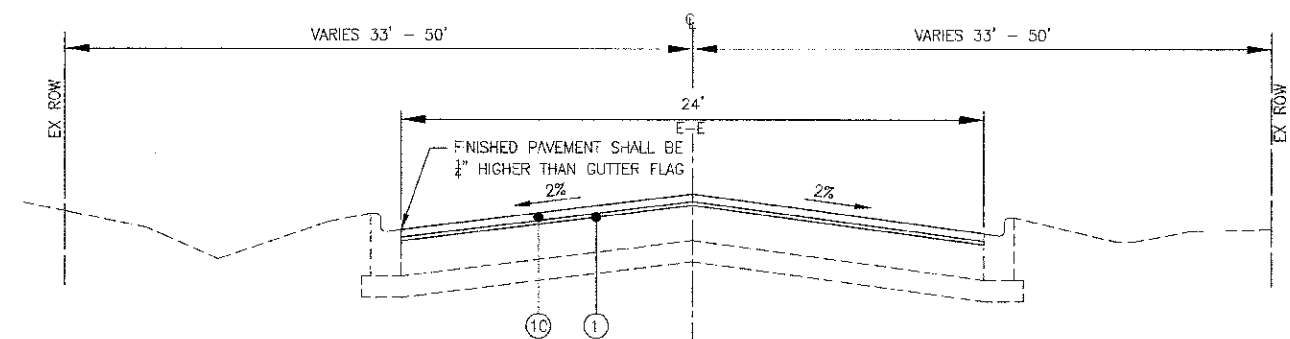
**EXISTING TYPICAL SECTION
CLAIRE BOULEVARD
STA 92+50 TO STA 100+75**



**EXISTING TYPICAL SECTION
NORTH FRANCISCO AVENUE**



**PROPOSED TYPICAL SECTION
CLAIRE BOULEVARD
STA 92+50 TO STA 100+75**



**PROPOSED TYPICAL SECTION
NORTH FRANCISCO AVENUE**

LEGEND

- | EXISTING | PROPOSED |
|---|--|
| A EXISTING HOT-MIX ASPHALT SURFACE | 1 POLYMERIZED LEVELING BINDER (MACHINE METHOD), IL-4.75, N50 - 3" |
| B EXISTING AGGREGATE BASE | 2 HOT-MIX ASPHALT SURFACE COURSE, MIX "D", N50 - 1 1/2" |
| C RESERVED | 3 CLASS D PATCHES - 8" (AS DETERMINED BY THE ENGINEER) |
| D EXISTING SIDEWALK | 4 COMBINATION CONCRETE CURB AND GUTTER REMOVAL AND REPLACEMENT (AS DETERMINED BY THE ENGINEER) |
| E EXISTING COMBINATION CONCRETE CURB AND GUTTER | 5 PARKWAY RESTORATION |
| F EXISTING AGGREGATE SHOULDER | 6 SIDEWALK REMOVAL
PCC SIDEWALK, 5-INCH (SPECIAL)
(AS DETERMINED BY THE ENGINEER) |
| G EXISTING PCC BASE COURSE | 7 GRADING AND SHAPING SHOULDERS (AS DETERMINED BY THE ENGINEER) |
| | 8 AGGREGATE WEDGE SHOULDER, TYPE B |
| | 9 EARTH EXCAVATION |
| | 10 HOT-MIX ASPHALT SURFACE COURSE, MIX "D", N70 - 1 1/2" |
| | 11 HOT-MIX ASPHALT BINDER COURSE, IL-19 MM, N50 - 2 1/2" |
| | 12 HOT-MIX ASPHALT SURFACE REMOVAL - 2" |

EXISTING PAVEMENT DATA

CORE NUMBER	HMA THICKNESS	PCC BASE THICKNESS
29	3.75	7.25
30	2.5	8
32	4	8
33	3.25	7.5

C:\WORK\10493\10493.DWG - CLAIR.BOULEVAARD\10493.DWG - TYPICAL SECTIONS - TYP.DWG - TYP. 2
 Date: 5/1/2012 3:28 PM By: BAXTER
 Copyright © 2012 By: Baxter & Woodman, Inc.
 State of Illinois - Professional Design Firm
 License No. - 134-001221 - Expires 4-30-15



DESIGNED - REW	REVISED -
DRAWN - UKE	REVISED -
CHECKED - LDH	REVISED -
DATE - 04-20-12	REVISED -

**STATE OF ILLINOIS
DEPARTMENT OF TRANSPORTATION**

**TYPICAL SECTIONS
CLAIRE BOULEVARD**

SCALE: PROJECT NO: 100493 STA. TO STA.

F.A.U. RITE	SECTION	COUNTY	TOTAL SHEETS	SHEET NO.
1596	10-00026-00-RS	COOK	21	6
CONTRACT NO.: 63692				