

STAGES OF CONSTRUCTION
GENERAL NOTES

1. THE ENGINEER SHALL BE INFORMED 72 HOURS IN ADVANCE OF ANY CHANGE TO THE STAGING PLANS, OR ANY CHANGE IN STAGE.
2. THE CONTRACTOR WILL BE REQUIRED TO MAINTAIN ACCESS TO ALL DRIVEWAYS WITHIN THE PROJECT LIMITS, UNLESS OTHERWISE SHOWN.
3. THE CONTRACTOR SHALL PLACE MESSAGE SIGNS WITH THE APPROPRIATE INFORMATION TO INFORM MOTORISTS OF UPCOMING CONSTRUCTION ACTIVITIES. THE MESSAGE SIGNS SHALL BE IN PLACE TWO WEEKS PRIOR TO START OF CONSTRUCTION ACTIVITIES. ALL COSTS ASSOCIATED WITH THE SIGNS SHALL BE CONSIDERED PART OF THE LUMP SUM PRICE FOR TRAFFIC CONTROL AND PROTECTION (SPECIAL).

SEQUENCE OF CONSTRUCTION: PRE-STAGE

TRAFFIC CONTROL SHALL BE IN ACCORDANCE WITH IDOT STANDARD 701301-04.
CONSTRUCT TEMPORARY PAVEMENT AS SHOWN IN THE STAGE I PLANS.
INSTALL TEMPORARY TRAFFIC SIGNAL.

PLACE TRAFFIC CONTROL DEVICES AND TEMPORARY PAVEMENT MARKINGS AS SHOWN IN THE STAGE I PLANS.

SEQUENCE OF CONSTRUCTION: STAGE I

TRAFFIC CONTROL SHALL BE AS SHOWN IN THE STAGE I PLANS.
CONSTRUCT SOUTH HALF (±) OF BRIDGE STRUCTURE AND EASTBOUND PAVEMENT LANES. INSTALL GUARDRAIL FOR EASTBOUND APPROACH TO BRIDGE STRUCTURE
INSTALL TEMPORARY PAVEMENT AS SHOWN IN THE STAGE II PLANS.

SEQUENCE OF CONSTRUCTION: STAGE II

PLACE TRAFFIC CONTROL DEVICES AND TEMPORARY PAVEMENT MARKINGS AS SHOWN IN THE STAGE II PLANS.
TRAFFIC CONTROL SHALL BE AS SHOWN IN THE STAGE II PLANS.
CONSTRUCT NORTH HALF (±) OF BRIDGE STRUCTURE AND WESTBOUND PAVEMENT LANES. INSTALL GUARDRAIL FOR WESTBOUND APPROACH TO BRIDGE STRUCTURE.

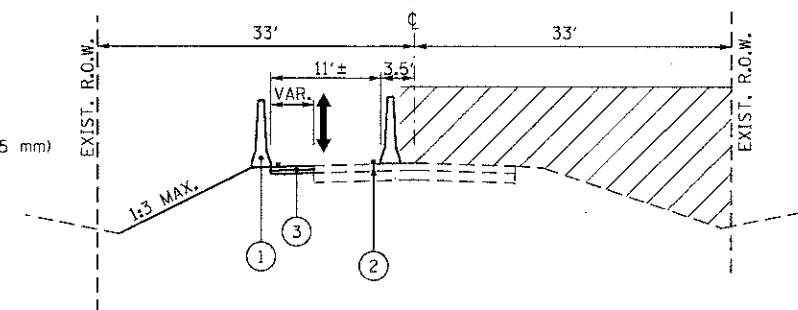
SEQUENCE OF CONSTRUCTION: POST-STAGE II

TRAFFIC CONTROL SHALL BE IN ACCORDANCE WITH IDOT STANDARD 701301-04.
REMOVE TEMPORARY PAVEMENT AND RESTORE AREA AS APPROPRIATE.

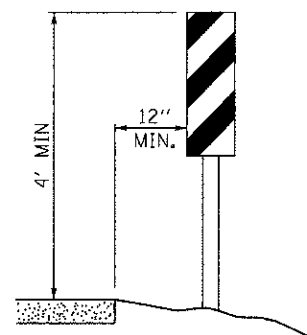
LEGEND

- ① TEMPORARY CONCRETE BARRIER ⁽¹⁾
- ② TEMPORARY PAVEMENT MARKING - LINE 4"
- ③ TEMPORARY PAVEMENT, 4 1/4"
(a) 2" HOT-MIX ASPHALT SURFACE COURSE, MIX "D", N50 (IL 9.5 mm)
(b) 2 1/4" HOT-MIX ASPHALT BINDER COURSE (IL-19.0 mm)

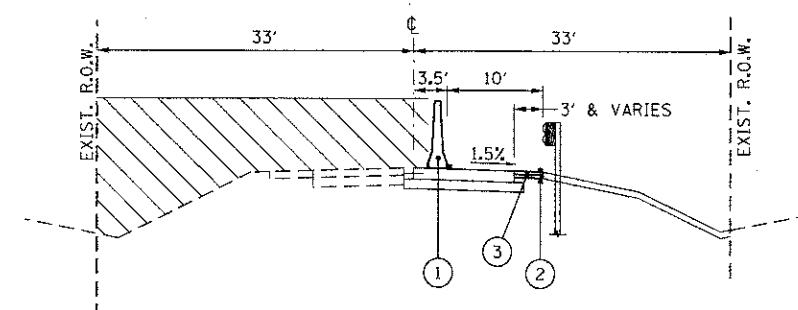
⁽¹⁾ DRUMS WITH STEADY BURNING BI-DIRECTIONAL LIGHT AND VERTICAL PANELS WILL ALSO BE REQUIRED TO PROVIDE DELINEATION THROUGH THE WORK ZONE. SEE STAGE I AND STAGE II PLAN FOR LOCATIONS.



STAGE I - WOODLAND DRIVE



VERTICAL PANELS
(POST MOUNTED, ONE EACH SIDE)

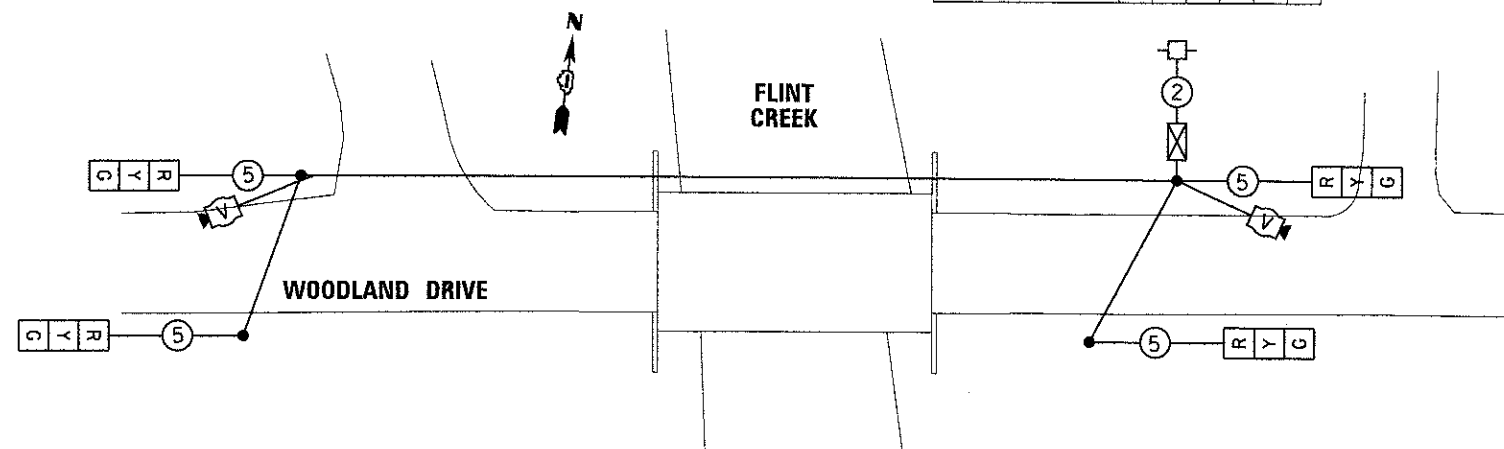


STAGE II - WOODLAND DRIVE

TEMPORARY BRIDGE TRAFFIC SIGNALS

A TEMPORARY TRAFFIC SIGNAL SHALL BE REQUIRED DUE TO STAGE CONSTRUCTION OF THE BRIDGE. TRAFFIC SIGNALS SHALL BE OPERATIONAL ONLY WHEN ALL TRAFFIC CONTROLS ARE IN PLACE. THE TEMPORARY TRAFFIC SIGNAL SHALL BE INSTALLED IN ACCORDANCE WITH SECTION 701.18(B)(2), EXCEPT WHERE MODIFIED BY THE SPECIAL PROVISIONS. ALSO, VEHICLE DETECTION SHALL BE VIA MICROWAVE VEHICLE SENSORS OR A VIDEO VEHICLE DETECTION SYSTEM.

TRAFFIC SIGNAL SEQUENCE						
PHASE	A			B		
INTERVAL	1	2	3	4	5	6
EASTBOUND	G	Y	R	R	R	R
WESTBOUND	R	R	R	G	Y	R



TEMPORARY CABLE PLAN