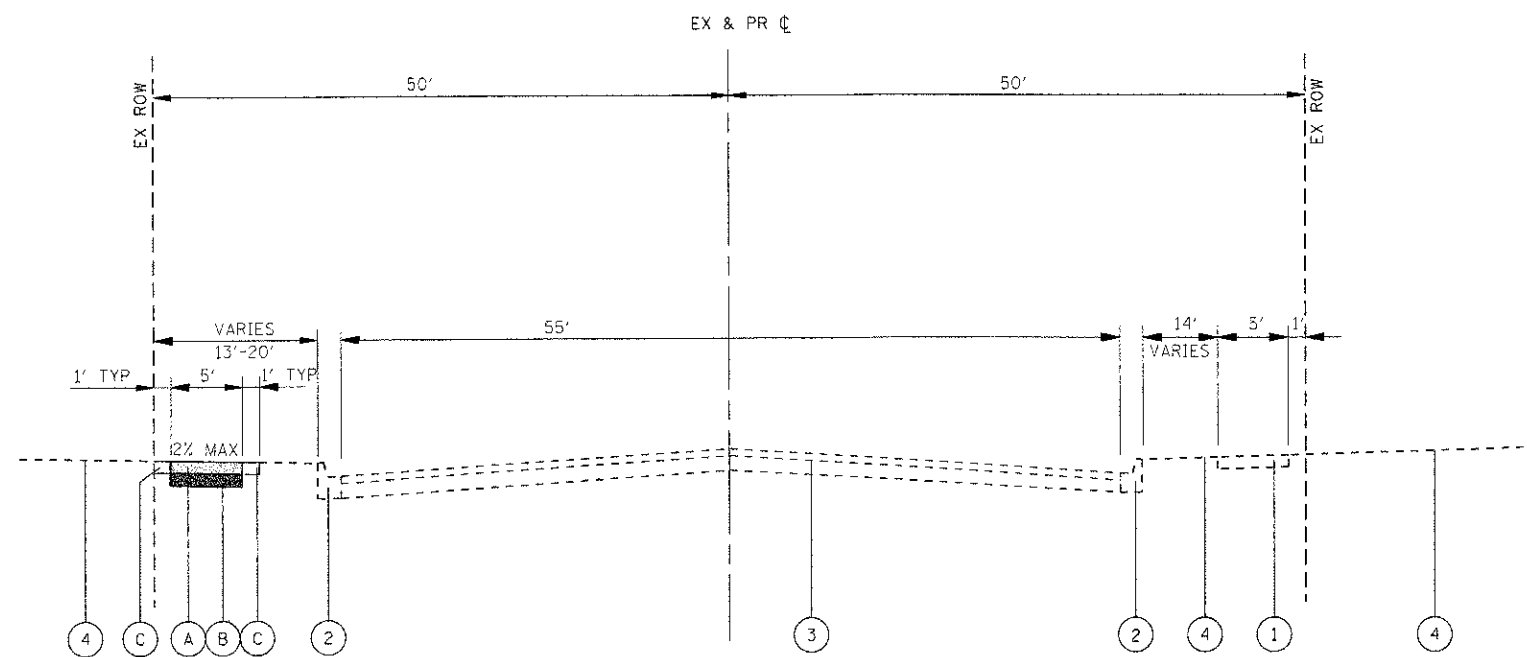


EXISTING US ROUTE 45 SIDEWALK
STA 501+80 TO STA 561+46

EXISTING LEGEND

- ① EXISTING PCC SIDEWALK
- ② EXISTING CONCRETE CURB AND GUTTER; TYPE B6.24 (SPOT REMOVAL AND REPLACEMENT)
- ③ EXISTING PAVEMENT TO REMAIN
- ④ EXISTING GROUND



PROPOSED US ROUTE 45 SIDEWALK
STA 501+80 TO STA 561+46

PROPOSED LEGEND

- Ⓐ PORTLAND CEMENT CONCRETE SIDEWALK 5 INCH, SPECIAL (SEE CONSTRUCTION DETAILS)
- Ⓑ AGGREGATE BASE COURSE, TYPE B; 4"
- Ⓒ SEEDING (COMPLETE)

NOTE:
AGGREGATE BASE COURSE, TYPE B WILL BE CA-6 CRUSHED GRAVEL OR STONE.

	USER NAME = JStrzel DESIGNED - JJS DRAWN - JJS CHECKED - AC DATE -	REVISED - REVISED - REVISED - REVISED -	VILLAGE OF MUNDELEIN	US ROUTE 45 SIDEWALK IMPROVEMENTS TYPICAL SECTIONS	F.A.J. RTE. 344 SECTION 08-00083-00-SW COUNTY LAKE TOTAL SHEETS 49 SHEET NO. 4
	PLOT SCALE = NTS PLOT DATE = 6/5/2012	SCALE: NTS SHEET NO. 1 OF 1 SHEETS STA. 501+80 TO STA. 561+46			CONTRACT NO. 63725 [ILLINOIS] FED. AID PROJECT