

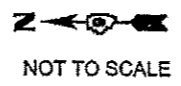
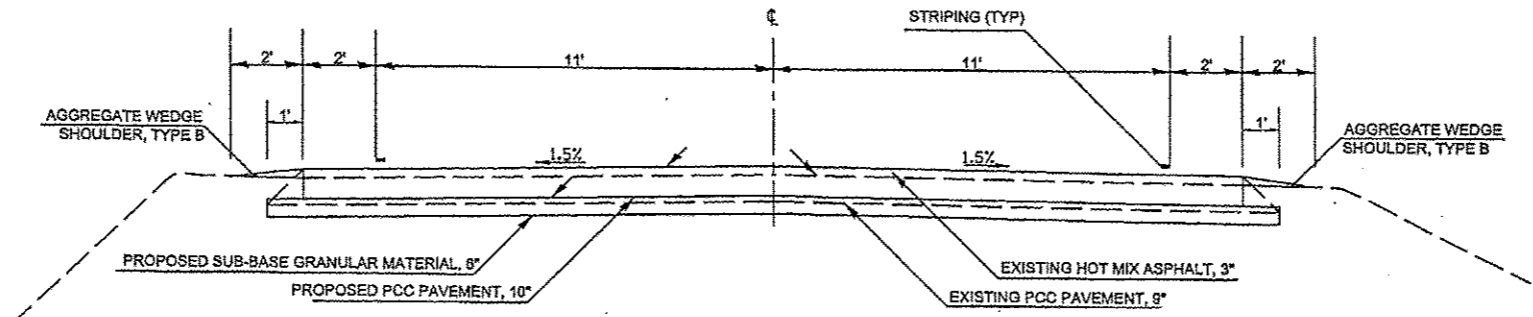
 PAVEMENT REMOVAL  
 10" PCC PAVEMENT  
 6" SUB BASE GRANULAR MATERIAL

**PLAN DETAIL**



US 45 SHALL BE CLOSED ACCORDING STANDARD BLR-21  
AND AS DIRECTED BY THE ENGINEER



TO BE USED  
 NORTHBOUND  
 STA 767+45 TO STA 771+34  
 SOUTHBOUND  
 STA 769+15 TO STA 770+80

FILE NAME =	USER NAME = russellf	DESIGNED -	REVISED -	<b>STATE OF ILLINOIS DEPARTMENT OF TRANSPORTATION</b>	<b>PLAN SHEET TYPICAL</b>	F.A.P. RTE.	SECTION	COUNTY	TOTAL SHEETS	SHEET NO.
ci:\pwork\pedit\russellf\d9382831\7030-sh1-plan.dgn	PLOT SCALE = 100.0000' / in.	DRAWN -	REVISED -			332 09 CM SLOPE REPAIR 2013-	WHITE	5	4	
	PLOT DATE = 5/18/2012	CHECKED -	REVISED -			CONTRACT NO. 78300				
		DATE -	REVISED -			[ILLINOIS] FED. AID PROJECT				