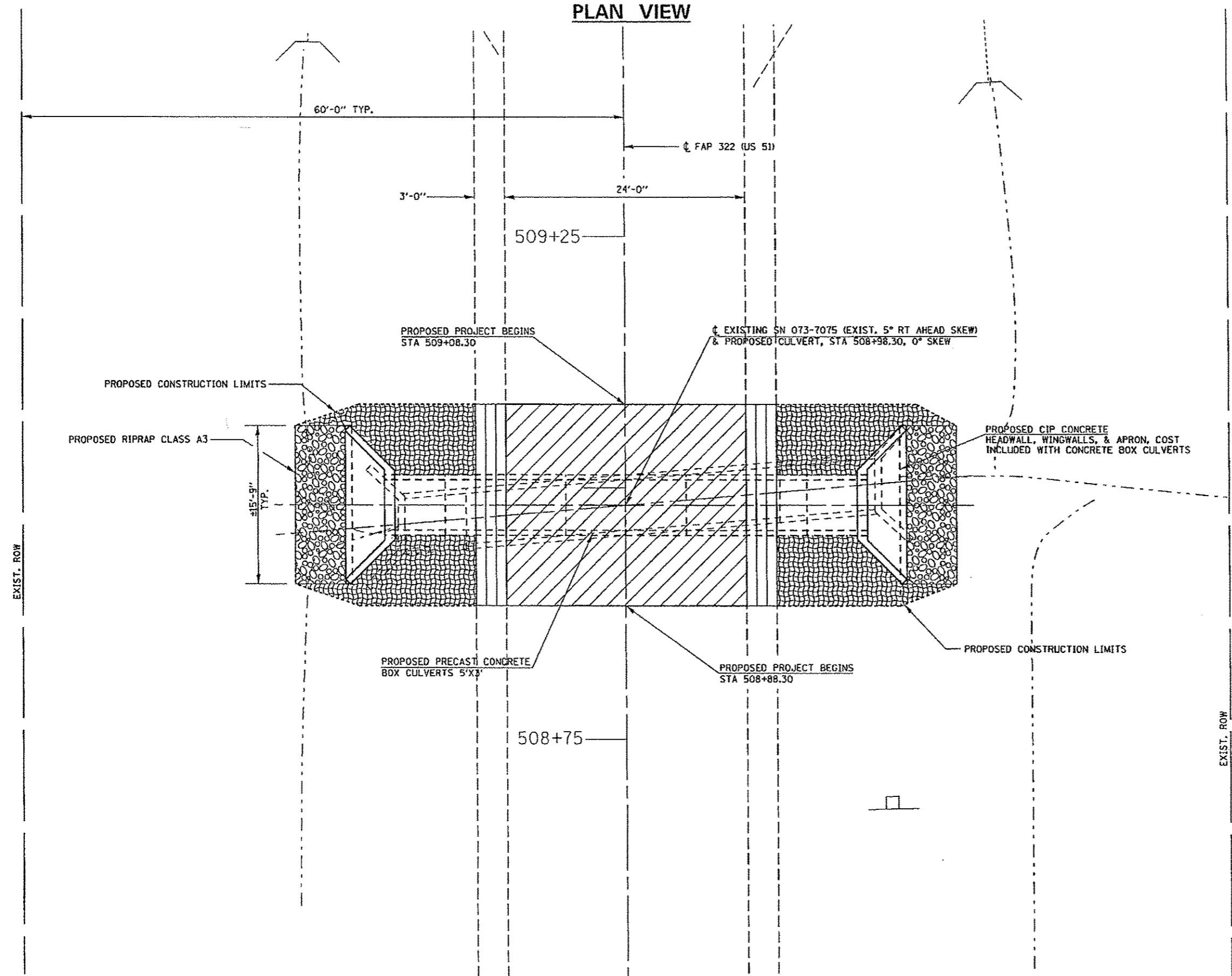
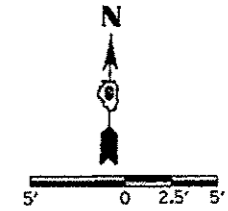

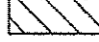



PLAN VIEW



-  AGGREGATE SHOULDERS, TYPE B - 8"
-  PAVEMENT REMOVAL AND PROPOSED HMA PAVEMENT
-  EROSION CONTROL BLANKET & SEEDING CLASS 2

FILE NAME =	USER NAME = holsteadtv	DESIGNED - TWH	REVISED -
at\p_w\work\p\p\dot\holsteadtv\0308771\70322-ehc-plan.dgn	322-ehc-plan.dgn	DRAWN - TWH	REVISED -
SHT_PLAN	PLOT SCALE = 18.0000 * / in.	CHECKED -	REVISED -
	PLOT DATE = 5/18/2012	DATE -	REVISED -

**STATE OF ILLINOIS
DEPARTMENT OF TRANSPORTATION**

GENERAL PLAN SN 073-7075			
SCALE:	SHEET	OF	SHEETS
			STA. TO STA.

F.A.P. RTE.	SECTION	COUNTY	TOTAL SHEETS	SHEET NO.
322	6(1-1)(11-1)	PERRY	9	6
CONTRACT NO. 78322				
(ILLINOIS) FED. AID PROJECT				