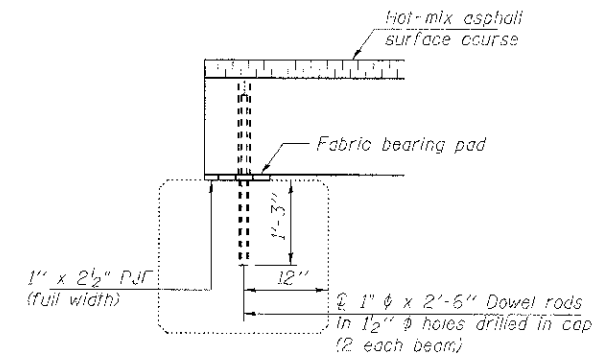


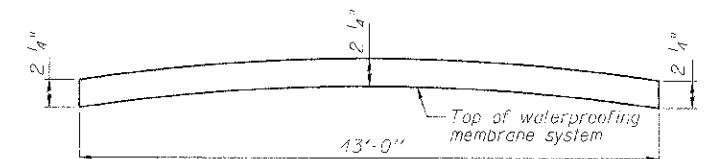
PLAN



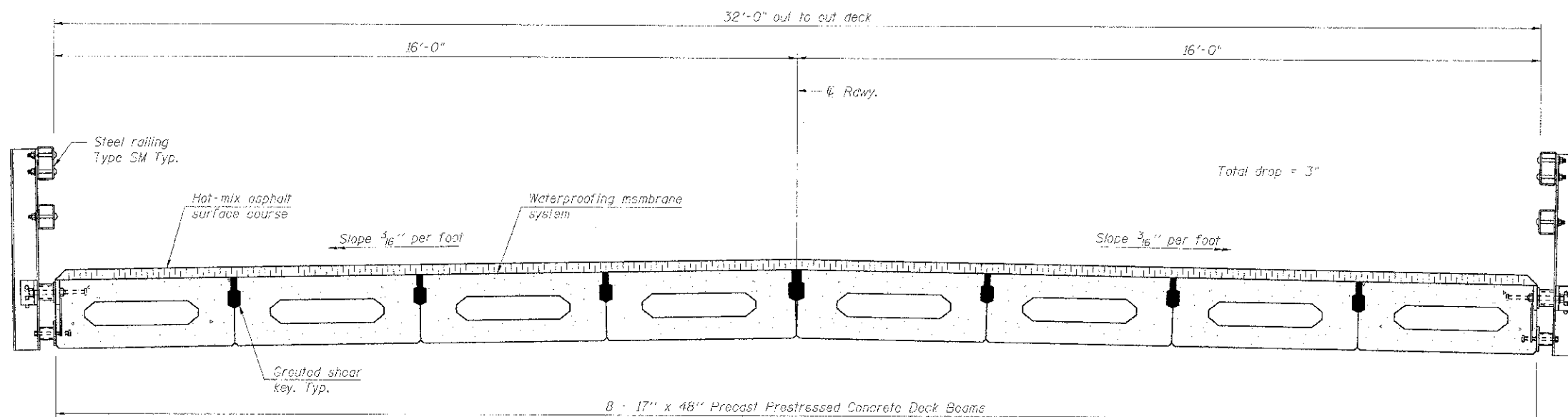
SECTION A-A
See sheet 4 of 7 for fabric bearing pad details.

BILL OF MATERIAL

ITEM	UNIT	QUANTITY
Hot-Mix Asphalt Surface Course, Mix "C", H50	Tons	20



ANTICIPATED HMA WEARING SURFACE PROFILE
(For information only)



CROSS SECTION
(Looking East)

Notes:
See sheet 4 of 7 for Superstructure Details and Bill of Material.

PDS-HMA-S-R34-0 7 1 10

COPYRIGHT © 2002 BY BAXTER & WOODMAN, INC.
 STATE OF ILLINOIS PROFESSIONAL DESIGNER LICENSE NO. 023-00237012
 PROJECT NO. 023-00237012
 PROJECT NAME: VILLAGE OF KIRKLAND HORTENSE ST BRIDGE OVER BULL RUN CREEK

FILE NAME =	USER NAME =	DESIGNED AS	REVISED	VILLAGE OF KIRKLAND HORTENSE ST BRIDGE OVER BULL RUN CREEK	SUPERSTRUCTURE STRUCTURE NO. 019-4002	MUN. ST.	SECTION	COUNTY	TOTAL SHEET	
	PLCT SCALE =	CHECKED BAB	REVISED			1090	10-00008-00-BR	DEKALB	20	11
	PILOT DATE = 05/01/12	DRAWN BCD	REVISED			CONTRACT NO. 07532				
		CHECKED BLB	REVISED			SHEET NO. 2 OF 7 SHEETS				
						FED. ROAD DIST. NO. 3 ILLINOIS FED. AID PROJECT RRP-031043				