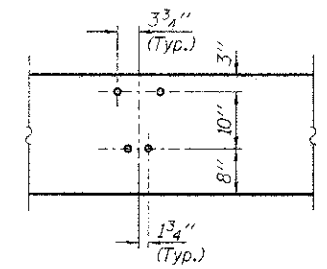
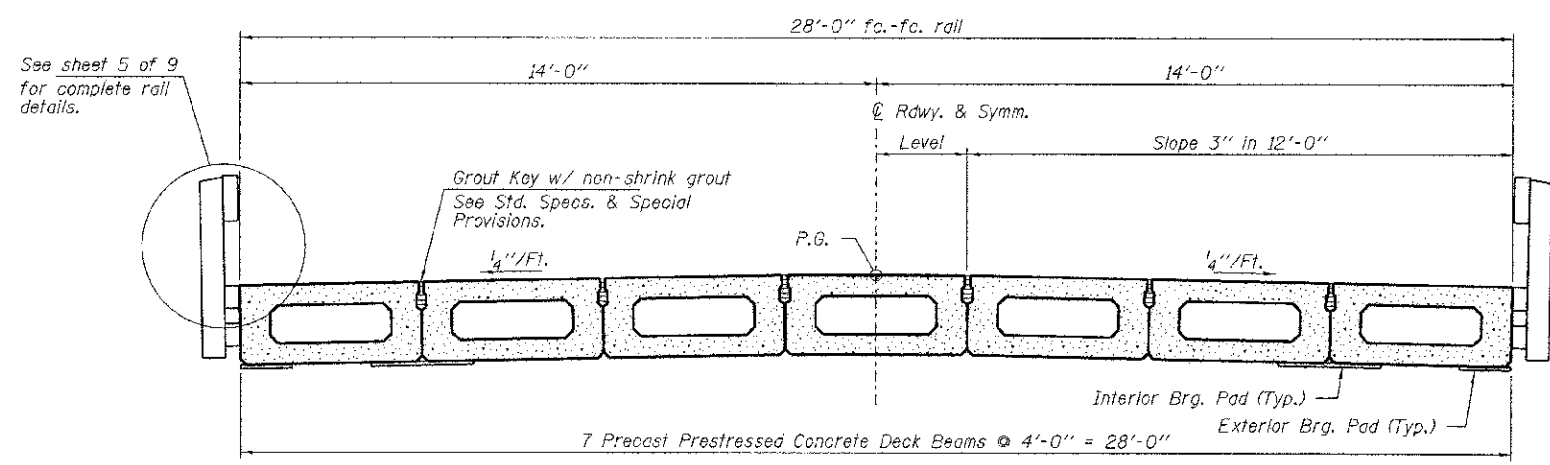


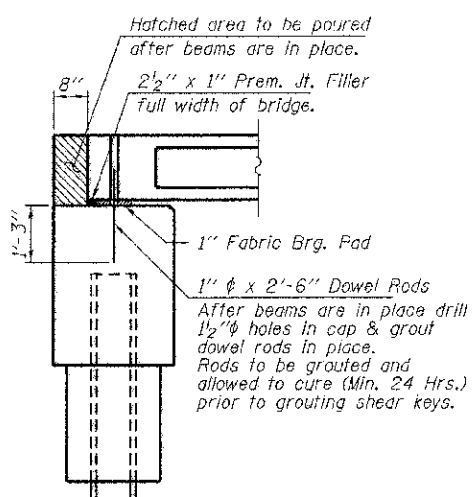
**ELEVATION**  
Showing Rail Post Spaces  
See sheet 5 of 9 for Railing Details.



**DETAIL A**



**CROSS SECTION**  
See sheets 2 & 3 of 9 for Superstructure.



**SECTION AT ABUTMENTS**  
@ Rt. L's

FILE NAME = 110293-ahb-bridge.dgn	USER NAME =	DESIGNED - D.W.T.	REVISED -	<b>STATE OF ILLINOIS JASPER COUNTY HIGHWAY DEPARTMENT</b>	<b>SUPERSTRUCTURE DETAILS STRUCTURE NO. 040-3264</b>	C.H.	SECTION	COUNTY	TOTAL SHEETS	SHEET NO.	
<b>HAMPTON, LENZINI AND RENWICK, INC.</b> SOUTH BROADWAY, SUITE 201 SPRINGFIELD, ILLINOIS 62761	PLDT SCALE =	CHECKED - A.S.L.	REVISED -			14	11-00118-00-0R	JASPER	12	7	
<b>ILLINOIS PROFESSIONAL GEOTECHNICAL FIRM</b> 1517 E. 75th ST. CHICAGO, IL 60649	PLDT DATE = 4/14/2012	DRAWN - D.A.B.	REVISED -			<b>CONTRACT NO. 95685</b>					
		CHECKED - S.W.M.	REVISED -			SHEET NO. 4 OF 9 SHEETS					