

08-03-2018 LETTING ITEM 017

STATE OF ILLINOIS
DEPARTMENT OF TRANSPORTATION

F.A. RTE.	SECTION	COUNTY	TOTAL SHEETS	SHEET NO.
VAR	2018-FNC-1	VARIOUS	29	1
ILLINOIS			CONTRACT NO. 62G49	

FOR INDEX OF SHEETS, SEE SHEET NO. 2

PROPOSED HIGHWAY PLANS

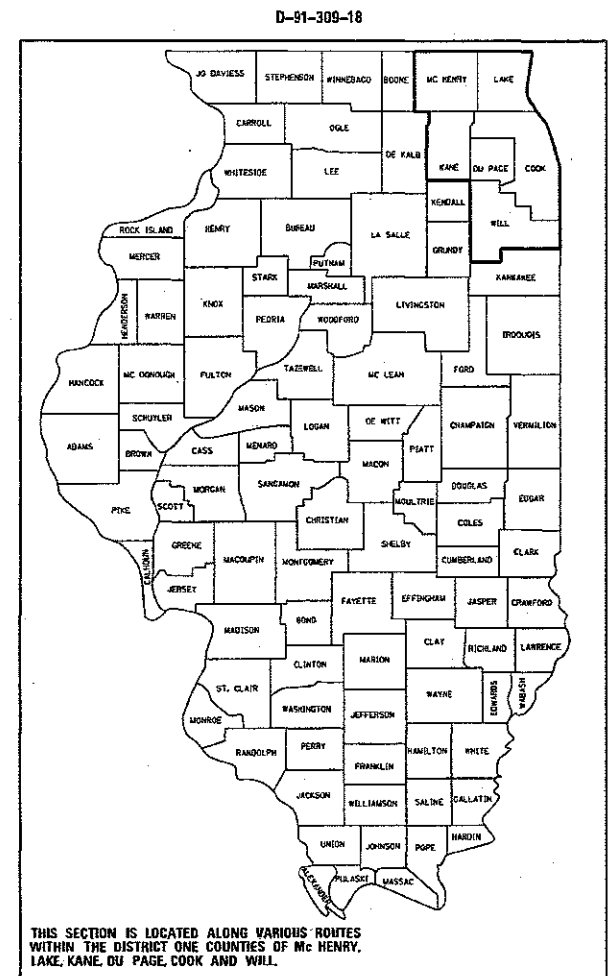
ROUTE: VARIOUS EXPRESSWAYS AND ARTERIAL
HIGHWAYS - DISTRICT ONE

SECTION: 2018-FNC-1

FENCE REPAIR

COUNTY: VARIOUS

C-91-226-18



SEE LOCATION MAPS
SHEETS 4 THRU 21

C.U.A.N.
CHICAGO UTILITY ALERT NETWORK
1-312-744-7000

J.U.L.I.E.
JOINT UTILITY LOCATION INFORMATION FOR EXCAVATION
1-800-892-0123
OR 811

PROJECT ENGINEER: J. ALAIN MIDY (847) 221-3056
PROJECT MANAGER: FAWAD AQUEEL (847) 705-4247

CONTRACT NO. 62G49

STATE OF ILLINOIS
DEPARTMENT OF TRANSPORTATION

SUBMITTED May 8 20 18

Anthony A. Rungtler REGIONAL ENGINEER

June 29 20 18

Paul J. [Signature] ENGINEER OF DESIGN AND ENVIRONMENT

June 29 20 18

Paul J. [Signature] DIRECTOR OF HIGHWAYS PROJECT IMPLEMENTATION

PRINTED BY THE AUTHORITY
OF THE STATE OF ILLINOIS

INDEX OF SHEETS ✓

1. TITLE SHEET
2. INDEX OF SHEETS
LIST OF APPLICABLE STATE STANDARDS
3. SUMMARY OF QUANTITIES
4. COOK COUNTY (SOUTH OF ILL 38) LOCATION MAP
5. DUPAGE COUNTY (SOUTH OF ILL 38) LOCATION MAP
6. KANE COUNTY (SOUTH OF ILL 38) LOCATION MAP
7. WILL COUNTY LOCATION MAP
8. COOK COUNTY (NORTH OF ILL 38) LOCATION MAP
9. DUPAGE COUNTY (NORTH OF ILL 38) LOCATION MAP
10. KANE COUNTY (NORTH OF ILL 38) LOCATION MAP
11. LAKE COUNTY LOCATION MAP
12. MCHENRY COUNTY LOCATION MAP
13. COOK COUNTY (NORTH OF ILL 38) LOCATION MAP
14. DUPAGE COUNTY (NORTH OF ILL 38) LOCATION MAP
15. KANE COUNTY (NORTH OF ILL 38) LOCATION MAP
16. LAKE COUNTY LOCATION MAP
17. MC HENRY COUNTY LOCATION MAP
18. COOK COUNTY (SOUTH OF ILL 38) LOCATION MAP
19. DUPAGE COUNTY (SOUTH OF ILL 38) LOCATION MAP
20. KANE COUNTY (SOUTH OF ILL 38) LOCATION MAP
21. WILL COUNTY LOCATION MAP
22. DETAILS OF PEDESTRIAN BARRIER TYPE III (STD. 10-SS-514R)
23. CHAIN LINK FENCE (STD. 10-SS-506B)
24. CHAIN LINK FENCE POST SLEEVE REPAIR DETAIL
25. PROPOSED PEDESTRIAN BARRIER AND CHAIN LINK FENCE WITH TENSION WIRE AND FENCE RAIL REMOVAL
26. SPECIAL FENCE DETAILS
27. ENTRANCE AND EXIT RAMP CLOSURE DETAILS (TC-08)
28. TRAFFIC CONTROL AND PROTECTION FOR SIDE ROADS, INTERSECTIONS AND DRIVEWAYS (TC-10)
29. TRAFFIC CONTROL DETAILS FOR SHOULDER CLOSURE AND PARTIAL RAMP CLOSURES (TC-17)

GENERAL NOTES

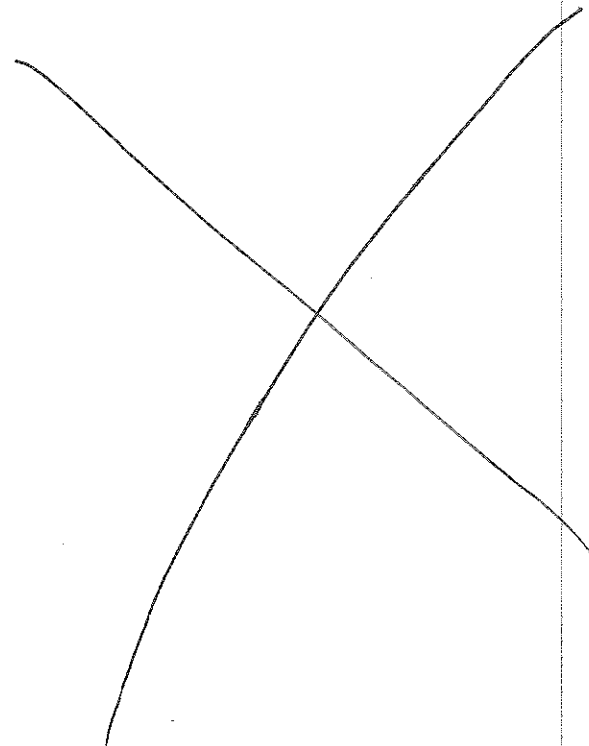
1. BEFORE STARTING ANY EXCAVATION, THE CONTRACTOR SHALL CALL "J.U.L.I.E." AT (800) 892-0123 OR 811 FOR FIELD LOCATIONS OF BURIED ELECTRIC, TELEPHONE AND GAS UTILITIES. 48 HOUR NOTIFICATION IS REQUIRED.
2. THE CONTRACTOR SHALL CONTACT THE DISTRICT ONE TRAFFIC CONTROL SUPERVISOR AT (847) 705-4155 FOR EXPRESSWAYS AND (847) 705-4470 FOR ARTERIALS, A MINIMUM OF 72 HOURS IN ADVANCE OF BEGINNING WORK.
3. THE CONTRACTOR SHALL SUBMIT ALL DAILY LANE CLOSURES VIA WWW.IDOTLCS.COM AT LEAST 24 HOURS IN ADVANCE OF ALL DAILY LANE, AND RAMP AND SHOULDER CLOSURES. THE CONTRACTOR SHALL REQUEST AND GAIN THE APPROVAL FROM THE ILLINOIS DEPARTMENT OF TRANSPORTATION'S EXPRESSWAY TRAFFIC OPERATIONS ENGINEER AT (847) 705-4151 OR (847) 705-4155.

STATE STANDARDS

- ✓ 664001-02
- 665001-02
- 701001-02
- 701006-05
- 701101-05
- 701106-02
- 701301-04
- 701311-03
- 701336-06
- 701400-09
- 701401-11
- 701411-09
- 701421-08
- 701422-10
- 701426-09
- 701427-05
- 701501-06
- 701601-09
- 701602-09
- 701606-10
- 701701-10
- 701801-06
- 701901-07

DESCRIPTION

- CHAIN LINK FENCE
- WOVEN WIRE FENCE
- OFF-RD OPERATIONS, 2L, 2W, MORE THAN 15' AWAY
- OFF-RD OPERATIONS, 2L, 2W, 15' TO 24" FROM PAVEMENT EDGE
- OFF-RD OPERATIONS, MULTILANE, 15' TO 24" FROM PAVEMENT EDGE
- OFF-RD OPERATIONS, MULTILANE, MORE THAN 15' AWAY
- LANE CLOSURE, 2L, 2W, SHORT TIME OPERATIONS
- LANE CLOSURE, 2L, 2W, MOVING OPERATIONS DAY ONLY
- LANE CLOSURE, 2L, 2W, WORK AREAS IN SERIES, FOR SPEEDS > 45 MPH
- APPROACH TO LANE CLOSURE, FREEWAY/EXPRESSWAY
- LANE CLOSURE, FREEWAY/EXPRESSWAY
- LANE CLOSURE, MULTILANE, AT ENTRANCE OR EXIT RAMP, FOR SPEEDS > 45 MPH
- LANE CLOSURE, MULTILANE, DAY OPERATIONS ONLY, FOR SPEEDS > 45 MPH TO 55 MPH
- LANE CLOSURE, MULTILANE, FOR SPEEDS > 45 MPH TO 55 MPH
- LANE CLOSURE, MULTILANE, INTERMITTENT OR MOVING OPERATIONS, FOR SPEEDS > 45 MPH
- LANE CLOSURE, MULTILANE, INTERMITTANT OR MOVING OPERATIONS < 40 MPH
- URBAN LANE CLOSURE, 2L, 2W, UNDIVIDED
- URBAN LANE CLOSURE, MULTILANE, 1W OR 2W, WITH NONTRAVERSABLE MEDIAN
- URBAN LANE CLOSURE, MULTILANE, 2W WITH BIDIRECTIONAL LEFT TURN LANE
- URBAN LANE CLOSURE, MULTILANE, 2W WITH MOUNTABLE MEDIAN
- URBAN LANE CLOSURE, MULTILANE INTERSECTION
- SIDEWALK, CORNER OR CROSSWALK CLOSURE
- TRAFFIC CONTROL DEVICES



FILE NAME =	USER NAME = pyzanoskirb	DESIGNED -	REVISED -	STATE OF ILLINOIS DEPARTMENT OF TRANSPORTATION	INDEX OF SHEETS AND STATE STANDARDS		F.A. RTE.	SECTION	COUNTY	TOTAL SHEETS	SHEET NO.
p:\11\084EBIDINTEG\Illinois.gov\FWIDOT\Documents\IDOT Offices\District 1\Projects\DI448\BROWNS\Design\DI44816-shr-plan.dgn		CHECKED -	REVISED -				VAR	2018-FNC-1	VARIOUS	29	2
Default	PLOT SCALE = 100.0000' / 1in.	DATE -	REVISED -		SCALE: SHEET OF SHEETS STA. TO STA.		ILLINOIS FED. AID PROJECT CONTRACT NO. 62G49				
	PLOT DATE = 5/8/2018										

SUMMARY OF QUANTITIES				CONSTRUCTION TYPE CODE 0021					SUMMARY OF QUANTITIES				CONSTRUCTION TYPE CODE 0021				
CODE NO	ITEM	UNIT	TOTAL QUANTITIES	100% STATE 0021	100% MCHD 0021				CODE NO	ITEM	UNIT	TOTAL QUANTITIES	100% STATE 0021	100% MCHD 0021			
66400505	CHAIN LINK FENCE, 8'	FOOT	174	139	35				Z0042505	POST REMOVAL AND REPLACEMENT	EACH	5	4	1			
66500105	WOVEN WIRE FENCE, 4'	FOOT	2646	2117	529				Z0074000	TERMINAL POST, TYPE 1	EACH	35	28	7			
X6640100	FENCE RAIL REMOVAL	FOOT	1612	1290	322				Z0074010	TERMINAL POST, TYPE 3 SPECIAL	EACH	5	4	1			
X6640300	CHAIN LINK FENCE REMOVAL	FOOT	41	33	8												
X6640309	CHAIN LINK GATES (SPECIAL)	SO FT	609	487	122												
X6640590	CHAIN LINK FENCE POST SLEEVE REPAIR	EACH	35	28	7												
Z0009600	CHAIN LINK FABRIC, SPECIAL, 5'-0"	FOOT	18	14	4												
Z0009700	CHAIN LINK FABRIC, SPECIAL, 6'-0"	FOOT	1344	1075	269												
Z0009800	CHAIN LINK FABRIC, SPECIAL, 7'-0"	FOOT	8	6	2												
Z0009810	CHAIN LINK FABRIC, SPECIAL, 8'-0"	FOOT	53	42	11												
Z0009900	CHAIN LINK FABRIC, TYPE 1, 4'-0"	FOOT	14608	11686	2922												
Z0010300	CHAIN LINK FABRIC, TYPE 3, SPECIAL	FOOT	348	278	70												
Z0020210	PULL POST ARRANGEMENT	EACH	2	1	1												
Z0033200	LINE POST, TYPE 1	EACH	627	502	125												
Z0033305	LINE POST, TYPE 3 SPECIAL	EACH	18	14	4												
Z0042500	POST, SPECIAL	EACH	69	55	14												



DISTRICT NO. 1
MAINTENANCE DESIGNATIONS

- VARIOUS COLORS STATE HIGHWAYS & EXPRESSWAYS
- TOLLWAY
- █ CITY MAINTENANCE AGREEMENTS
- - - FUTURE HIGHWAYS
- VARIOUS AGENCIES HIGHWAYS

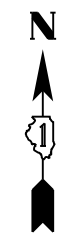
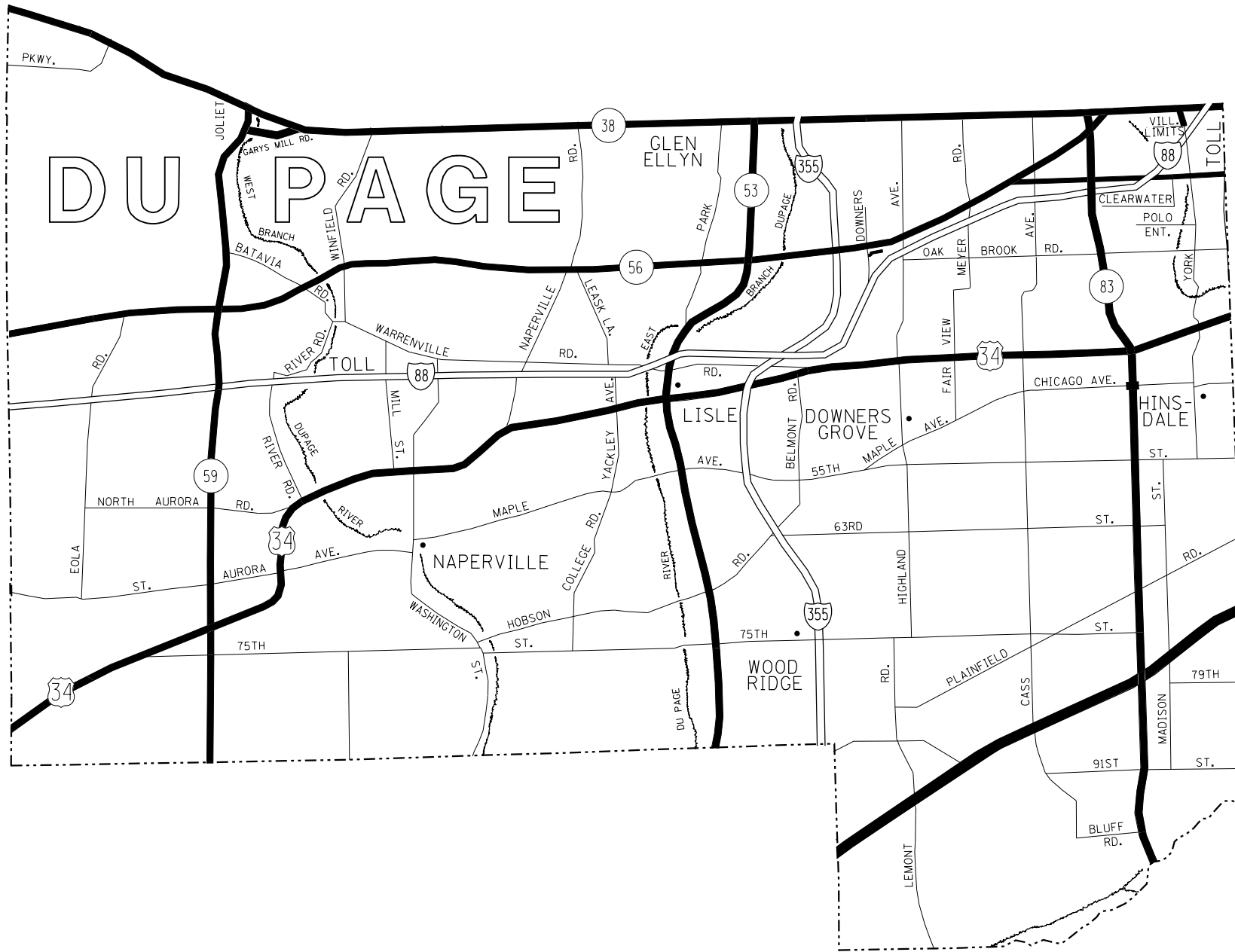
FILE NAME =	USER NAME = pyrzenowskirb	DESIGNED -	REVISED -
p:\1\084EBIDINTEG.11\inois.gov\PIWIDOT\Documents\IDOT Offices\District 1\Projects\0144816\Design\0144816-sht-plan.dgn		REVISED -	REVISED -
Default	PLOT SCALE = 100.0000' / in.	CHECKED -	REVISED -
	PLOT DATE = 5/8/2018	DATE -	REVISED -

STATE OF ILLINOIS
DEPARTMENT OF TRANSPORTATION

FENCE REPAIR LOCATION MAP - COOK COUNTY
SOUTH OF IL RTE 38

SCALE:	SHEET	OF	SHEETS	STA.	TO	STA.
--------	-------	----	--------	------	----	------

F.A. RTE.	SECTION	COUNTY	TOTAL SHEETS	SHEET NO.
VAR	2018-FNC-1	VARIOUS	29	4
CONTRACT NO. 62G49				
ILLINOIS FED. AID PROJECT				

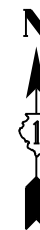
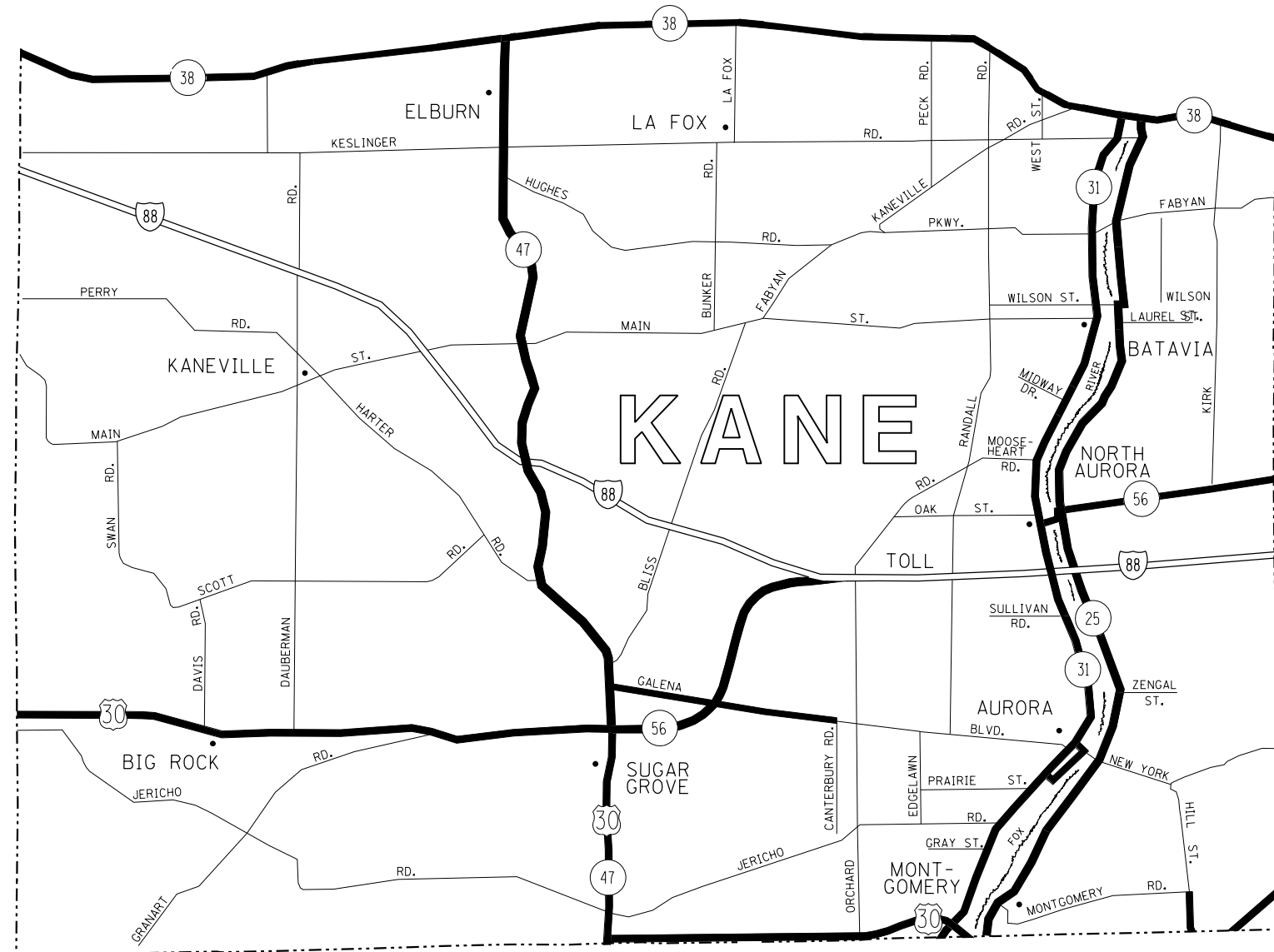


DISTRICT NO. 1 MAINTENANCE DESIGNATIONS

- VARIOUS COLORS STATE HIGHWAYS & EXPRESSWAYS
- TOLLWAY
- CITY MAINTENANCE AGREEMENTS
- FUTURE HIGHWAYS
- VARIOUS AGENCIES HIGHWAYS

FILE NAME =	USER NAME = pyzzenowskib	DESIGNED -	REVISED -	STATE OF ILLINOIS DEPARTMENT OF TRANSPORTATION	FENCE REPAIR LOCATION MAP - DuPAGE COUNTY SOUTH OF IL RTE 38	F.A. RTE.	SECTION	COUNTY	TOTAL SHEETS	SHEET NO.
		CHECKED -	REVISED -			VAR	2018-FNC-1	VARIOUS	29	5
Default	PLOT DATE = 5/8/2018	DATE -	REVISED -			SCALE: SHEET OF SHEETS STA. TO STA.			CONTRACT NO. 62G49	

ILLINOIS FED. AID PROJECT



DISTRICT NO. 1 MAINTENANCE DESIGNATIONS

- VARIOUS AGENCIES HIGHWAYS
- CITY MAINTENANCE AGREEMENTS
- FUTURE HIGHWAYS
- TOLLWAY
- STATE HIGHWAYS & EXPRESSWAYS

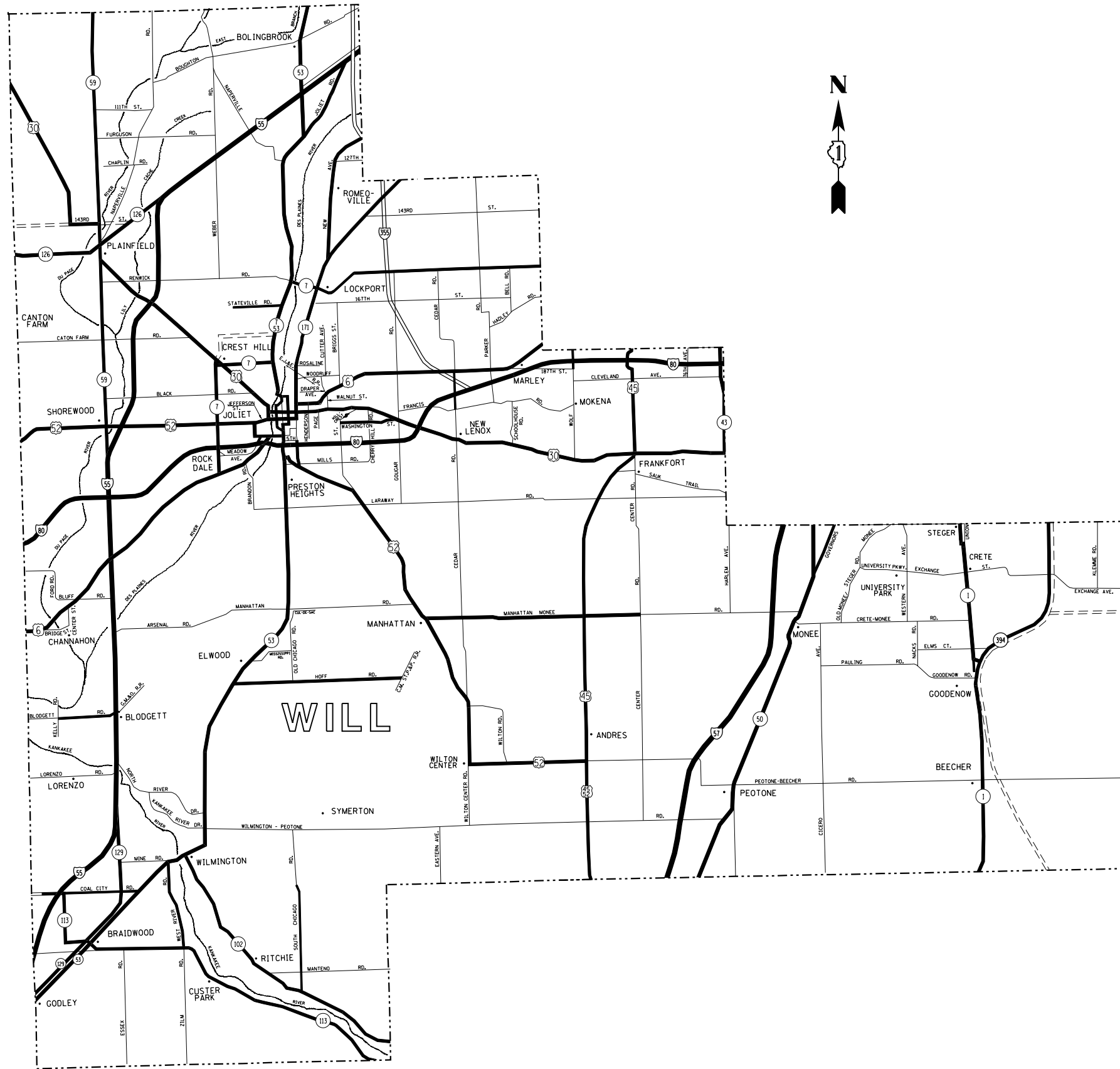
FILE NAME =	USER NAME = pyrozenowskirb	DESIGNED -	REVISED -
pw:\IL\084EBIDINTEG\illinois.gov\PWIDOT\Documents\IDOT Offices\District 1\Projects\D144816\MapData\Design\D144816-shr-plan.dgn		DRWN	REVISED -
Default	PLOT SCALE = 100.0000' / in.	CHECKED -	REVISED -
	PLOT DATE = 5/8/2018	DATE -	REVISED -

**STATE OF ILLINOIS
DEPARTMENT OF TRANSPORTATION**

**FENCE REPAIR LOCATION MAP - KANE COUNTY
SOUTH OF IL RTE 38**

SCALE: SHEET OF SHEETS STA. TO STA.

F.A. RTE.	SECTION	COUNTY	TOTAL SHEETS	SHEET NO.
VAR	2018-FNC-1	VARIOUS	29	6
CONTRACT NO. 62G49				
ILLINOIS FED. AID PROJECT				



DISTRICT NO. 1 MAINTENANCE DESIGNATIONS

- VARIOUS COLORS STATE HIGHWAYS & EXPRESSWAYS
- TOLLWAY
- CITY MAINTENANCE AGREEMENTS
- FUTURE HIGHWAYS
- VARIOUS AGENCIES HIGHWAYS

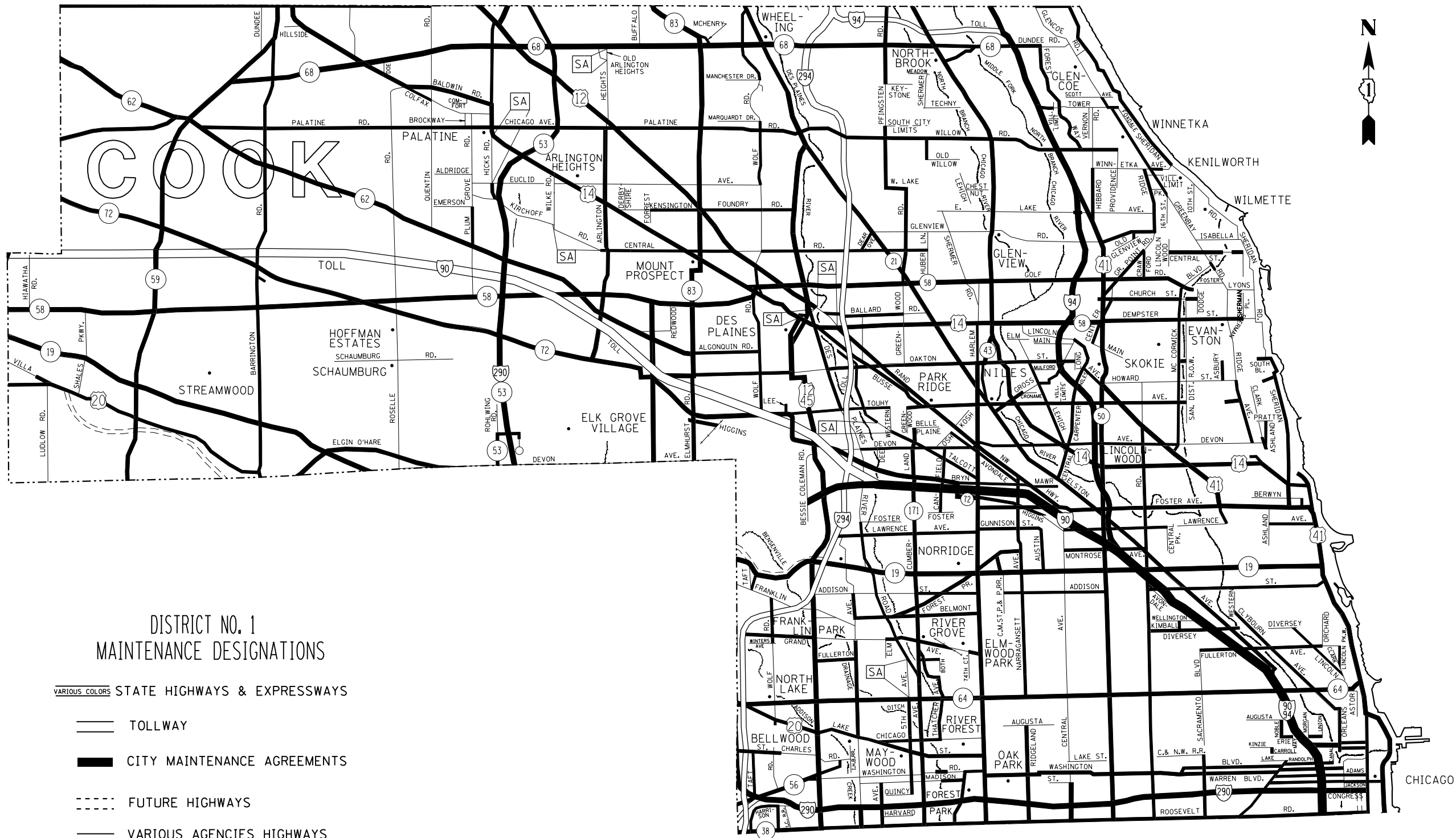
FILE NAME =	USER NAME = pyznowskirb	DESIGNED -	REVISED -
pw\11084EBIDINTEG\illinois.gov\PIWIDOT\Documents\DOT Offices\District 1\Projects\1448\Drawings\Design\144816-sht-plan.dgn		REVISED -	REVISED -
Default	PLOT SCALE = 100.0000' / in.	CHECKED -	REVISED -
	PLOT DATE = 5/8/2018	DATE -	REVISED -

**STATE OF ILLINOIS
DEPARTMENT OF TRANSPORTATION**

FENCE REPAIR LOCATION MAP – WILL COUNTY

SCALE: SHEET OF SHEETS STA. TO STA.

F.A. RTE.	SECTION	COUNTY	TOTAL SHEETS	SHEET NO.
VAR	2018-FNC-1	VARIOUS	29	7
CONTRACT NO. 62G49				
ILLINOIS FED. AID PROJECT				



DISTRICT NO. 1
MAINTENANCE DESIGNATIONS

- VARIOUS COLORS STATE HIGHWAYS & EXPRESSWAYS
- TOLLWAY
- CITY MAINTENANCE AGREEMENTS
- - - FUTURE HIGHWAYS
- VARIOUS AGENCIES HIGHWAYS

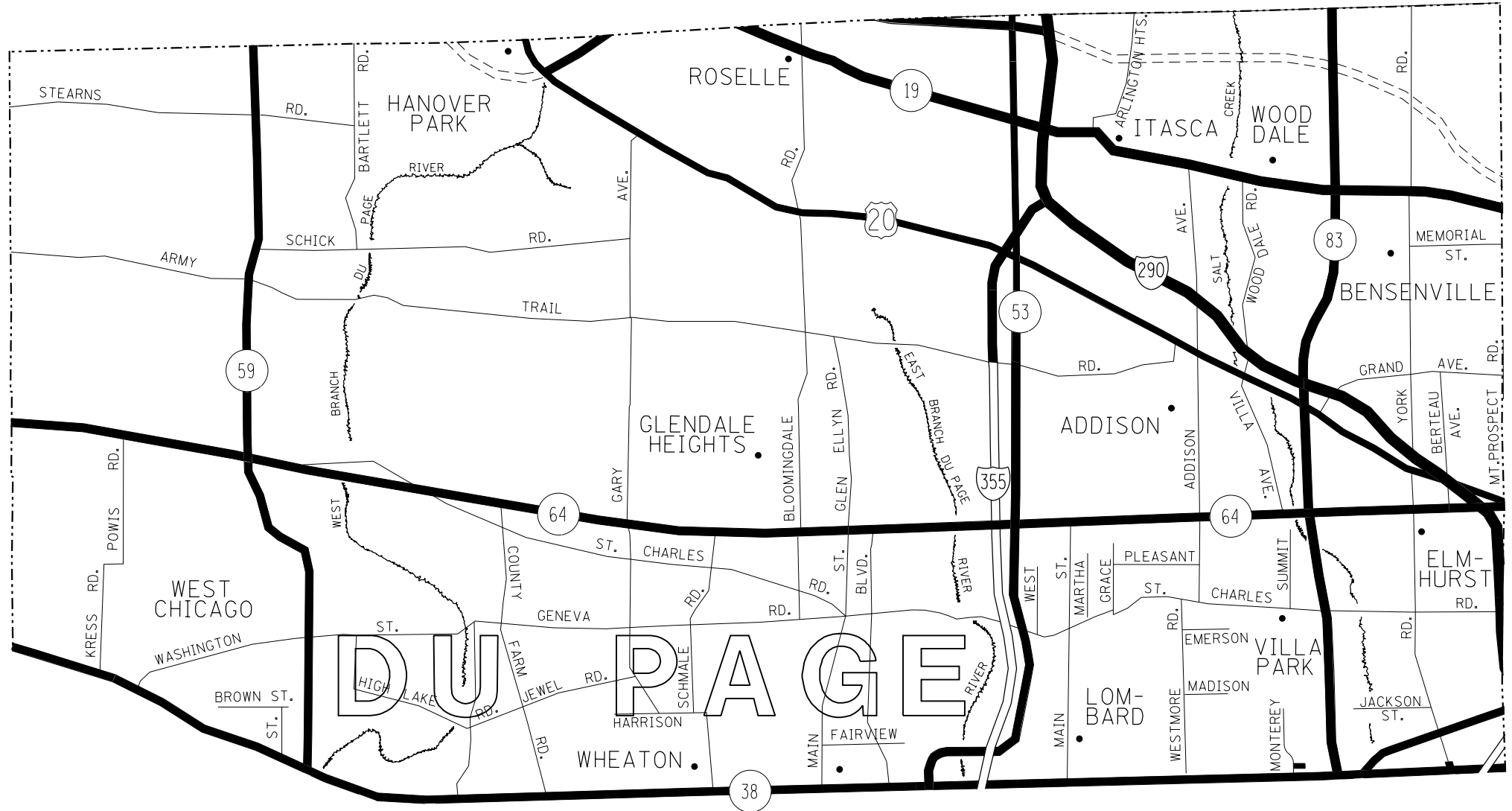
FILE NAME =	USER NAME = pyzzenowski	DESIGNED -	REVISED -
p:\11084EBIDINTEG\illinois.gov\PIWIDOT\Documents\IDOT Offices\District 1\Projects\144816\144816-sht-plan.dgn		REVISED -	REVISED -
Default	PLOT SCALE = 100.0000' / in.	CHECKED -	REVISED -
	DATE = 5/8/2018	DATE -	REVISED -

STATE OF ILLINOIS
DEPARTMENT OF TRANSPORTATION

FENCE REPAIR LOCATION MAP - COOK COUNTY
SOUTH OF IL RTE 38

SCALE: SHEET OF SHEETS STA. TO STA.

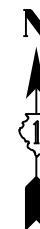
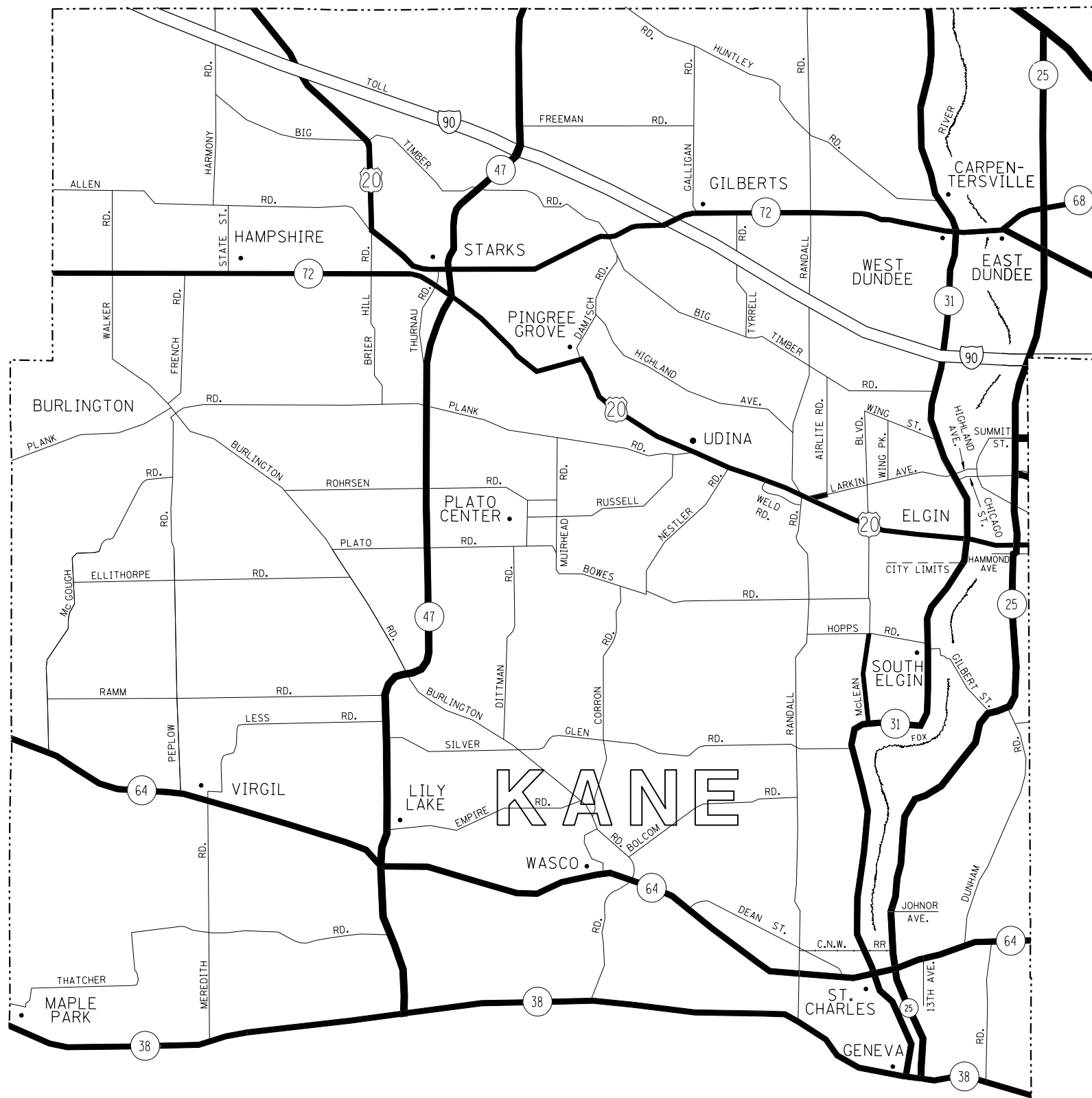
F.A. RTE.	SECTION	COUNTY	TOTAL SHEETS	SHEET NO.
VAR	2018-FNC-1	VARIOUS	29	8
			CONTRACT NO. 62G49	
ILLINOIS FED. AID PROJECT				



DISTRICT NO. 1
MAINTENANCE DESIGNATIONS

- VARIOUS COLORS STATE HIGHWAYS & EXPRESSWAYS
- TOLLWAY
- CITY MAINTENANCE AGREEMENTS
- FUTURE HIGHWAYS
- VARIOUS AGENCIES HIGHWAYS

FILE NAME = pw:\IL\084EBID\INTEG\Illinois.gov\PWIDOT\Documents\IDOT Offices\District 1\Projects\1448\Brown\MapData\Design\D144816-sht-plan.dgn	USER NAME = pyzzenowskib	DESIGNED -	REVISED -	STATE OF ILLINOIS DEPARTMENT OF TRANSPORTATION	FENCE REPAIR LOCATION MAP - DuPAGE COUNTY SOUTH OF IL RTE 38			F.A. RTE.	SECTION	COUNTY	TOTAL SHEETS	SHEET NO.
	PLOT SCALE = 100.0000' / 1in.	CHECKED -	REVISED -					VAR	2018-FNC-1	VARIOUS	29	9
Default	PLOT DATE = 5/8/2018	DATE -	REVISED -		SCALE:	SHEET OF SHEETS	STA. TO STA.	ILLINOIS FED. AID PROJECT CONTRACT NO. 62G49				



DISTRICT NO. 1
MAINTENANCE DESIGNATIONS

- VARIOUS COLORS STATE HIGHWAYS & EXPRESSWAYS
- TOLLWAY
- CITY MAINTENANCE AGREEMENTS
- FUTURE HIGHWAYS
- VARIOUS AGENCIES HIGHWAYS

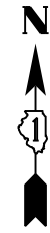
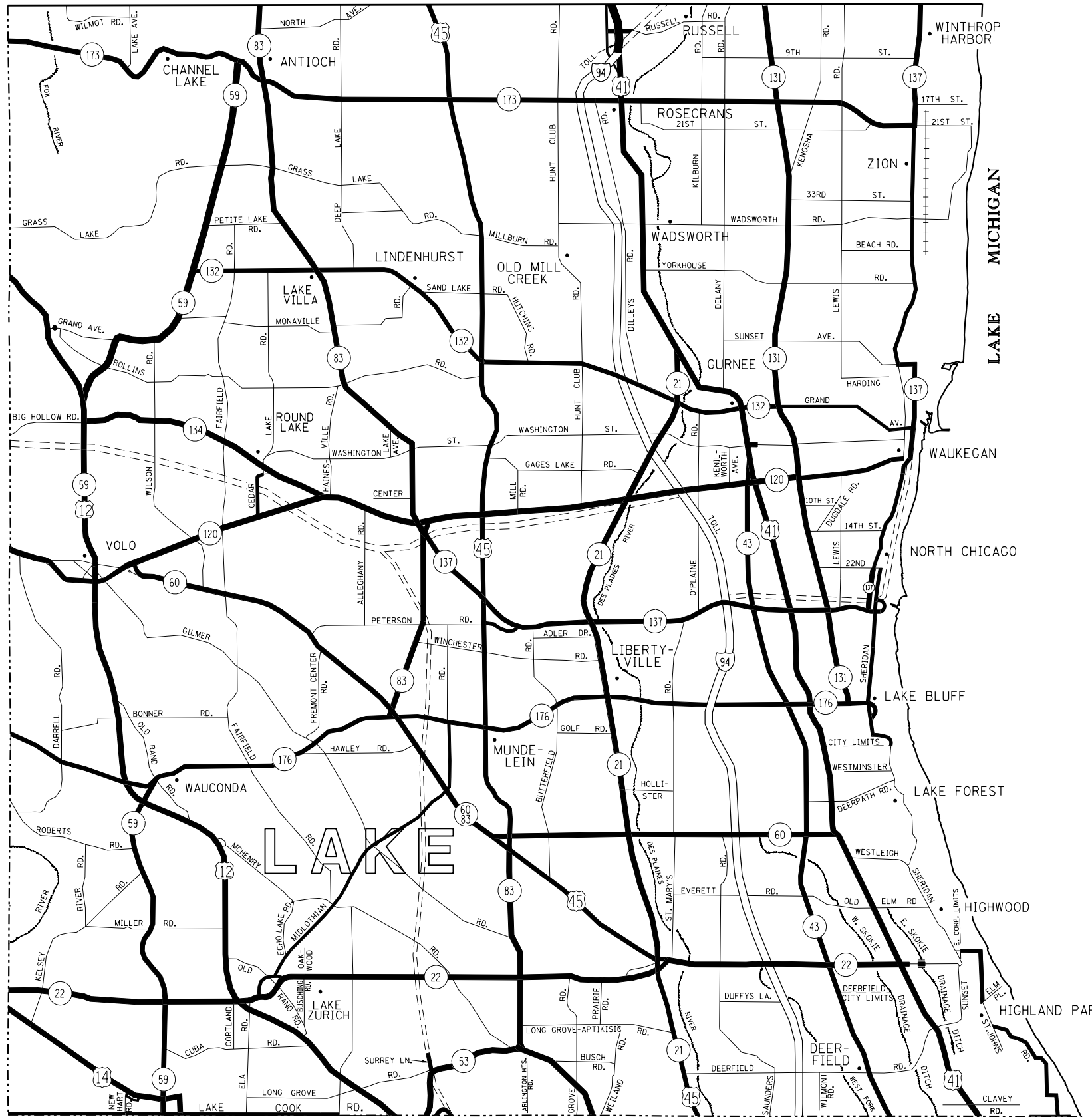
FILE NAME =	USER NAME = pyzzenowskirb	DESIGNED -	REVISED -
p:\1\084EBIDINTEG.illinois.gov\PIWIDOT\Documents\DOT Offices\District 1\Projects\144816\Design\144816-shr-plan.dgn		REVISED -	REVISED -
Default	PLOT SCALE = 100.0000' / in.	CHECKED -	REVISED -
	PLOT DATE = 5/8/2018	DATE -	REVISED -

STATE OF ILLINOIS
DEPARTMENT OF TRANSPORTATION

FENCE REPAIR LOCATION MAP - KANE COUNTY
SOUTH OF IL RTE 38

SCALE: SHEET OF SHEETS STA. TO STA.

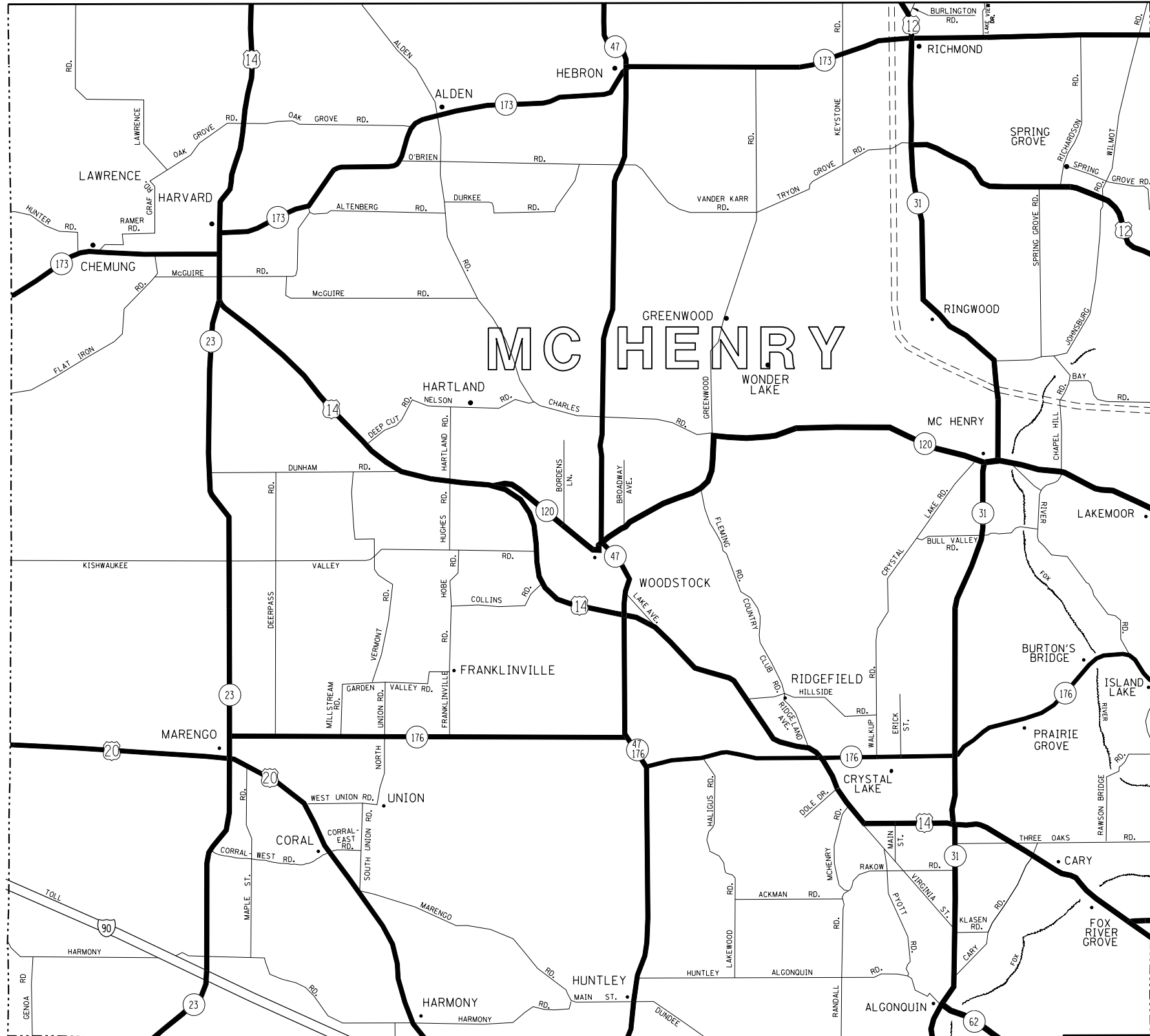
F.A. RTE.	SECTION	COUNTY	TOTAL SHEETS	SHEET NO.
VAR	2018-FNC-1	VARIOUS	29	10
			CONTRACT NO. 62G49	
ILLINOIS FED. AID PROJECT				



DISTRICT NO. 1
MAINTENANCE DESIGNATIONS

- VARIOUS COLORS STATE HIGHWAYS & EXPRESSWAYS
- TOLLWAY
- CITY MAINTENANCE AGREEMENTS
- FUTURE HIGHWAYS
- VARIOUS AGENCIES HIGHWAYS

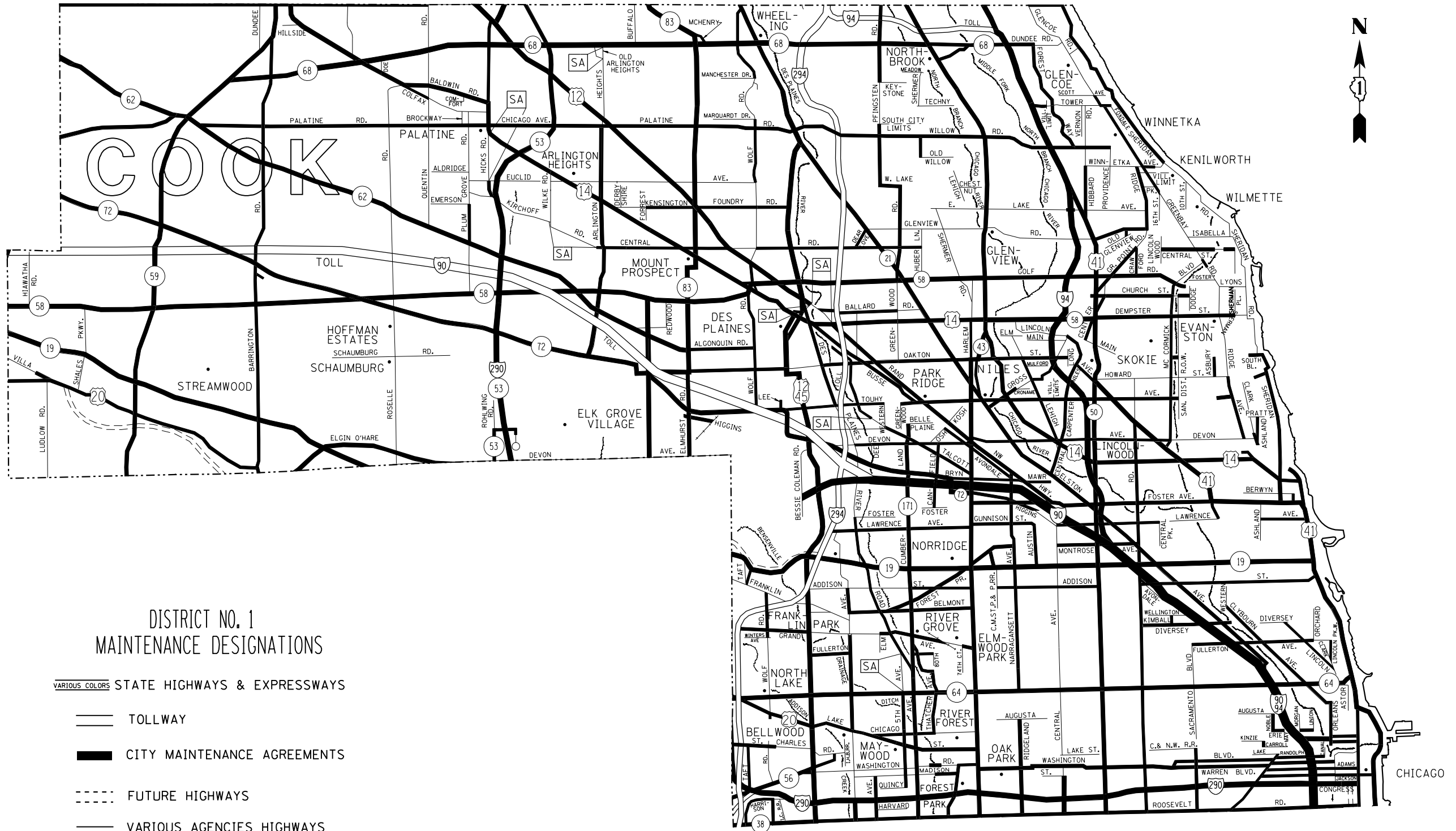
FILE NAME =	USER NAME = pyznowskirb	DESIGNED -	REVISED -	STATE OF ILLINOIS DEPARTMENT OF TRANSPORTATION	FENCE REPAIR LOCATION MAP – WILL COUNTY	F.A. RTE.	SECTION	COUNTY	TOTAL SHEETS	SHEET NO.
	p:\1\084EBIDINTEG.illinois.gov\PIWIDOT\Documents\DOT Offices\District 1\Projects\0144816\Design\0144816-sht-plan.dgn					VAR	2018-FNC-1	VARIOUS	29	11
Default	PLOT SCALE = 100.0000' / in.	CHECKED -	REVISED -			CONTRACT NO. 62G49				
	PLOT DATE = 5/8/2018	DATE -	REVISED -	SCALE:		SHEET OF SHEETS STA. TO STA.				
ILLINOIS FED. AID PROJECT										



DISTRICT NO. 1 MAINTENANCE DESIGNATIONS

- VARIOUS COLORS STATE HIGHWAYS & EXPRESSWAYS
- ===== TOLLWAY
- CITY MAINTENANCE AGREEMENTS
- - - - - FUTURE HIGHWAYS
- VARIOUS AGENCIES HIGHWAYS

FILE NAME = p:\11\084EBIDINTEG.illinois.gov\PIWIDOT\Documents\IDOT Offices\District 1\Projects\144816\144816-sht-pln.dgn	USER NAME = pyrzenowski	DESIGNED -	REVISED -	STATE OF ILLINOIS DEPARTMENT OF TRANSPORTATION	GUARDRAIL REPAIR LOCATION MAP McHENRY COUNTY			F.A. RTE.	SECTION	COUNTY	TOTAL SHEETS	SHEET NO.
	PLOT SCALE = 100.0000' / in.	CHECKED -	REVISED -					VAR.	2018-FNC-1	VARIOUS	29	12
PLOT DATE = 5/8/2018	DATE -	REVISED -	REVISED -	SCALE:	SHEET NO.	OF SHEETS	STA.	TO STA.	CONTRACT NO. 62G49			
									FED. ROAD DIST. NO.	ILLINOIS FED. AID PROJECT		



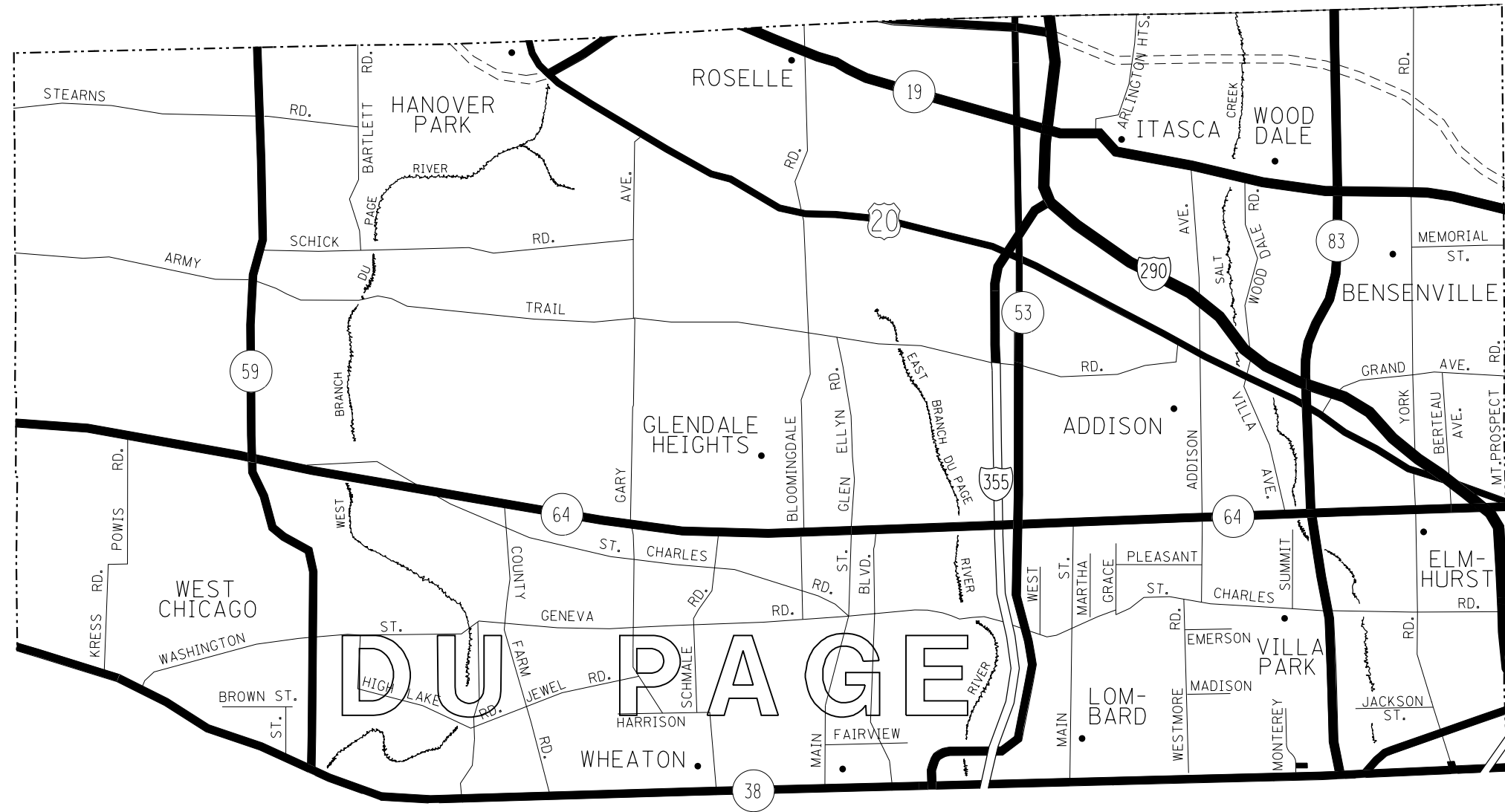
FILE NAME =	USER NAME = pyznowskirb	DESIGNED -	REVISED -
p:\11\084EBIDINTEG\11\inois.gov\PIWIDOT\Documents\IDOT Offices\District 1\Projects\DI4816\Design\DI4816-sht-plan.dgn		REVISED -	REVISED -
Default	PLOT SCALE = 100.0000' / in.	CHECKED -	REVISED -
	DATE = 5/8/2018	DATE -	REVISED -

**STATE OF ILLINOIS
DEPARTMENT OF TRANSPORTATION**

**FENCE REPAIR LOCATION MAP - COOK COUNTY
SOUTH OF IL RTE 38**

SCALE: SHEET OF SHEETS STA. TO STA.

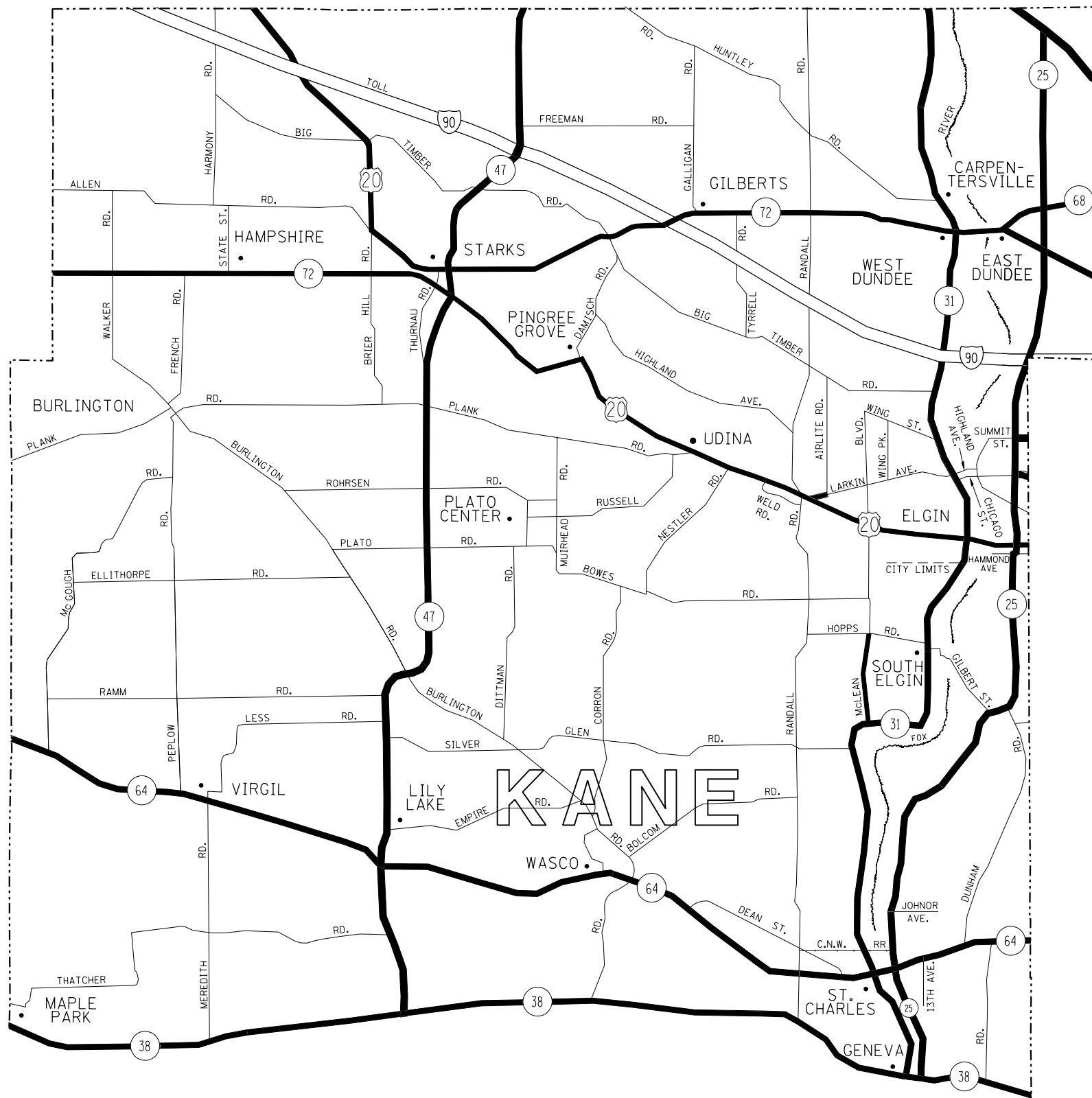
F.A. RTE.	SECTION	COUNTY	TOTAL SHEETS	SHEET NO.
VAR	2018-FNC-1	VARIOUS	29	13
CONTRACT NO. 62G49				
ILLINOIS FED. AID PROJECT				



DISTRICT NO. 1
MAINTENANCE DESIGNATIONS

- VARIOUS COLORS STATE HIGHWAYS & EXPRESSWAYS
- TOLLWAY
- █ CITY MAINTENANCE AGREEMENTS
- ⋯ FUTURE HIGHWAYS
- VARIOUS AGENCIES HIGHWAYS

FILE NAME = p:\IL\084EBID\INTEG.illinois.gov\PWIDOT\Documents\IDOT Offices\District 1\Projects\14486\DWG\14486-sht-plan.dgn	USER NAME = pyrzenowskirb	DESIGNED - BROWN	REVISED - REVISED - REVISED - REVISED -	STATE OF ILLINOIS DEPARTMENT OF TRANSPORTATION	FENCE REPAIR LOCATION MAP – DuPAGE COUNTY SOUTH OF IL RTE 38				F.A. RTE.	SECTION	COUNTY	TOTAL SHEETS	SHEET NO.		
Default	PLOT SCALE = 100.0000' / 1in. PLOT DATE = 5/8/2018	CHECKED - DATE -							SCALE:	SHEET	OF	SHEETS	STA.	TO	STA.
												CONTRACT NO. 62G49		ILLINOIS FED. AID PROJECT	



DISTRICT NO. 1
MAINTENANCE DESIGNATIONS

- VARIOUS COLORS STATE HIGHWAYS & EXPRESSWAYS
- TOLLWAY
- CITY MAINTENANCE AGREEMENTS
- FUTURE HIGHWAYS
- VARIOUS AGENCIES HIGHWAYS

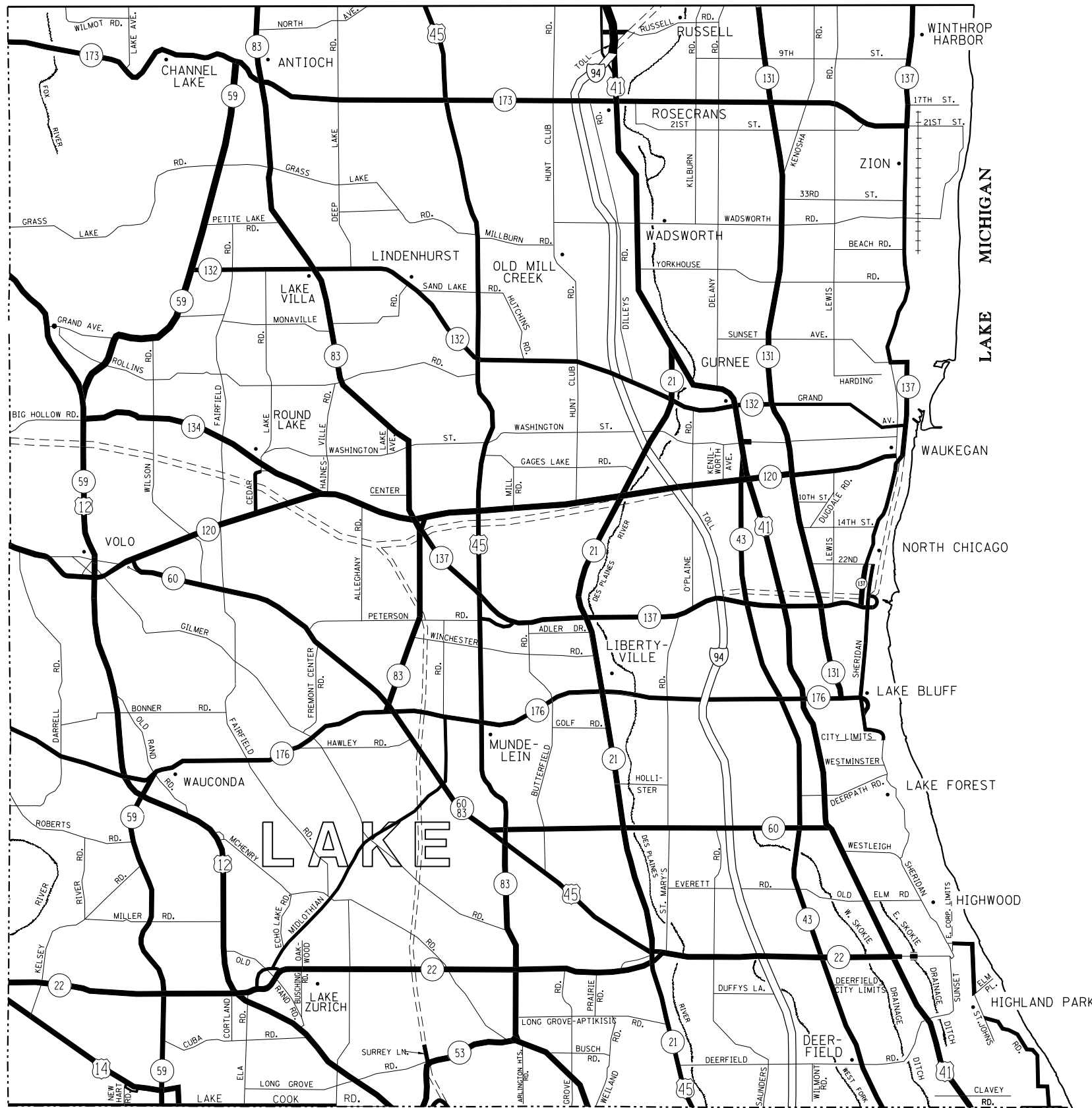
FILE NAME =	USER NAME = pyzzenowskirb	DESIGNED -	REVISED -
p:\1\084EBIDINTEG.illinois.gov\PIWIDOT\Documents\DOT Offices\District 1\Projects\144816\Design\144816-shr-plan.dgn		REVISED -	REVISED -
Default	PLOT DATE = 5/8/2018	CHECKED -	REVISED -
		DATE -	REVISED -

STATE OF ILLINOIS
DEPARTMENT OF TRANSPORTATION

FENCE REPAIR LOCATION MAP - KANE COUNTY
SOUTH OF IL RTE 38

SCALE:	SHEET	OF	SHEETS	STA.	TO	STA.
--------	-------	----	--------	------	----	------

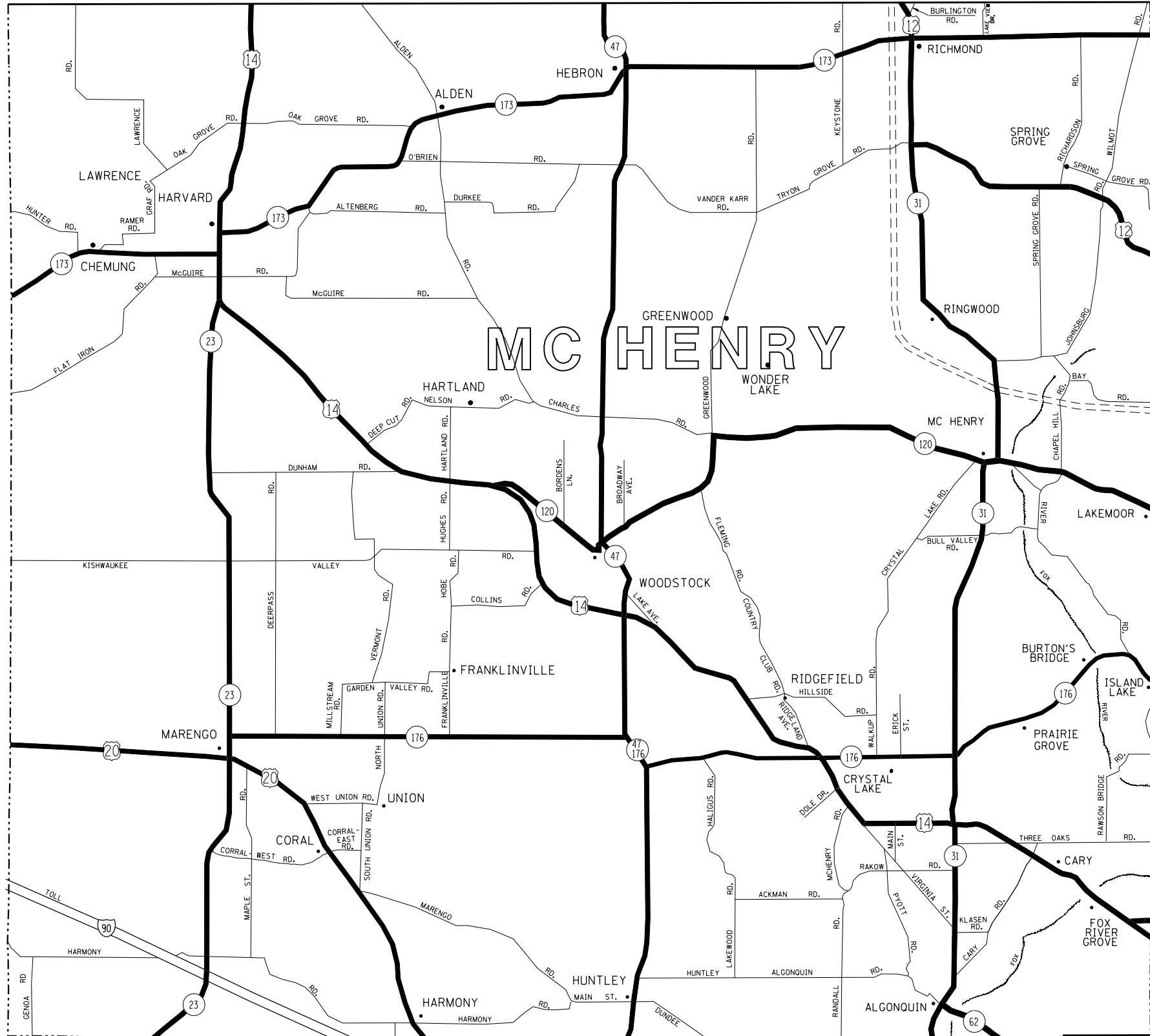
F.A. RTE.	SECTION	COUNTY	TOTAL SHEETS	SHEET NO.
VAR	2018-FNC-1	VARIOUS	29	15
			CONTRACT NO. 62G49	
ILLINOIS FED. AID PROJECT				



DISTRICT NO. 1 MAINTENANCE DESIGNATIONS

- VARIOUS COLORS STATE HIGHWAYS & EXPRESSWAYS
- TOLLWAY
- CITY MAINTENANCE AGREEMENTS
- FUTURE HIGHWAYS
- VARIOUS AGENCIES HIGHWAYS

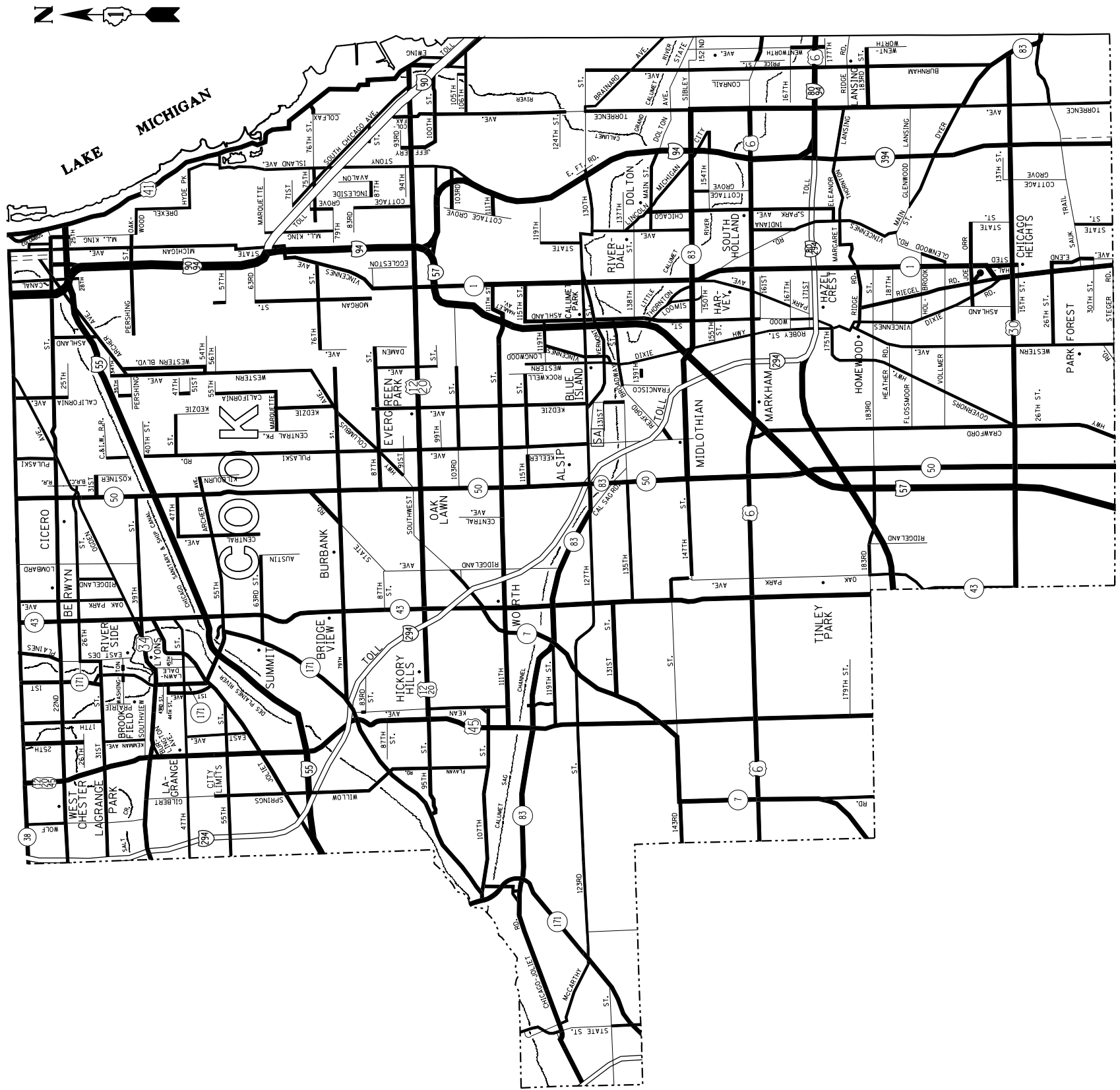
FILE NAME =	USER NAME = pyznowskirb	DESIGNED -	REVISED -	STATE OF ILLINOIS DEPARTMENT OF TRANSPORTATION	FENCE REPAIR LOCATION MAP - WILL COUNTY	F.A. RTE.	SECTION	COUNTY	TOTAL SHEETS	SHEET NO.	
						VAR	2018-FNC-1	VARIOUS	29	16	
						CONTRACT NO. 62G49					
						ILLINOIS FED. AID PROJECT					
Default	PLOT DATE = 5/8/2018	DATE -	REVISED -	SCALE:		SHEET OF SHEETS STA. TO STA.					



DISTRICT NO. 1 MAINTENANCE DESIGNATIONS

- VARIOUS COLORS STATE HIGHWAYS & EXPRESSWAYS
- TOLLWAY
- CITY MAINTENANCE AGREEMENTS
- - - FUTURE HIGHWAYS
- VARIOUS AGENCIES HIGHWAYS

FILE NAME = p:\11\084EBID\INTEG\illinois.gov\PI\DOT\Documents\DOT Offices\District 1\Projects\144816\Design\144816-sht-plan.dgn	USER NAME = pyznowskirb	DESIGNED -	REVISED -	STATE OF ILLINOIS DEPARTMENT OF TRANSPORTATION	SCALE:	SHEET	OF	SHEETS	STA.	TO	STA.	F.A. RTE.	SECTION	COUNTY	TOTAL SHEETS	SHEET NO.
	PLOT SCALE = 100.0000' / in.	CHECKED -	REVISED -									VAR	2018-FNC-1	VARIOUS	29	17
Default	PLOT DATE = 5/8/2018	DATE -	REVISED -									CONTRACT NO. 62G49				
												ILLINOIS FED. AID PROJECT				



DISTRICT NO. 1
MAINTENANCE DESIGNATIONS

- VARIOUS COLORS STATE HIGHWAYS & EXPRESSWAYS
- TOLLWAY
- CITY MAINTENANCE AGREEMENTS
- FUTURE HIGHWAYS
- VARIOUS AGENCIES HIGHWAYS

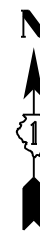
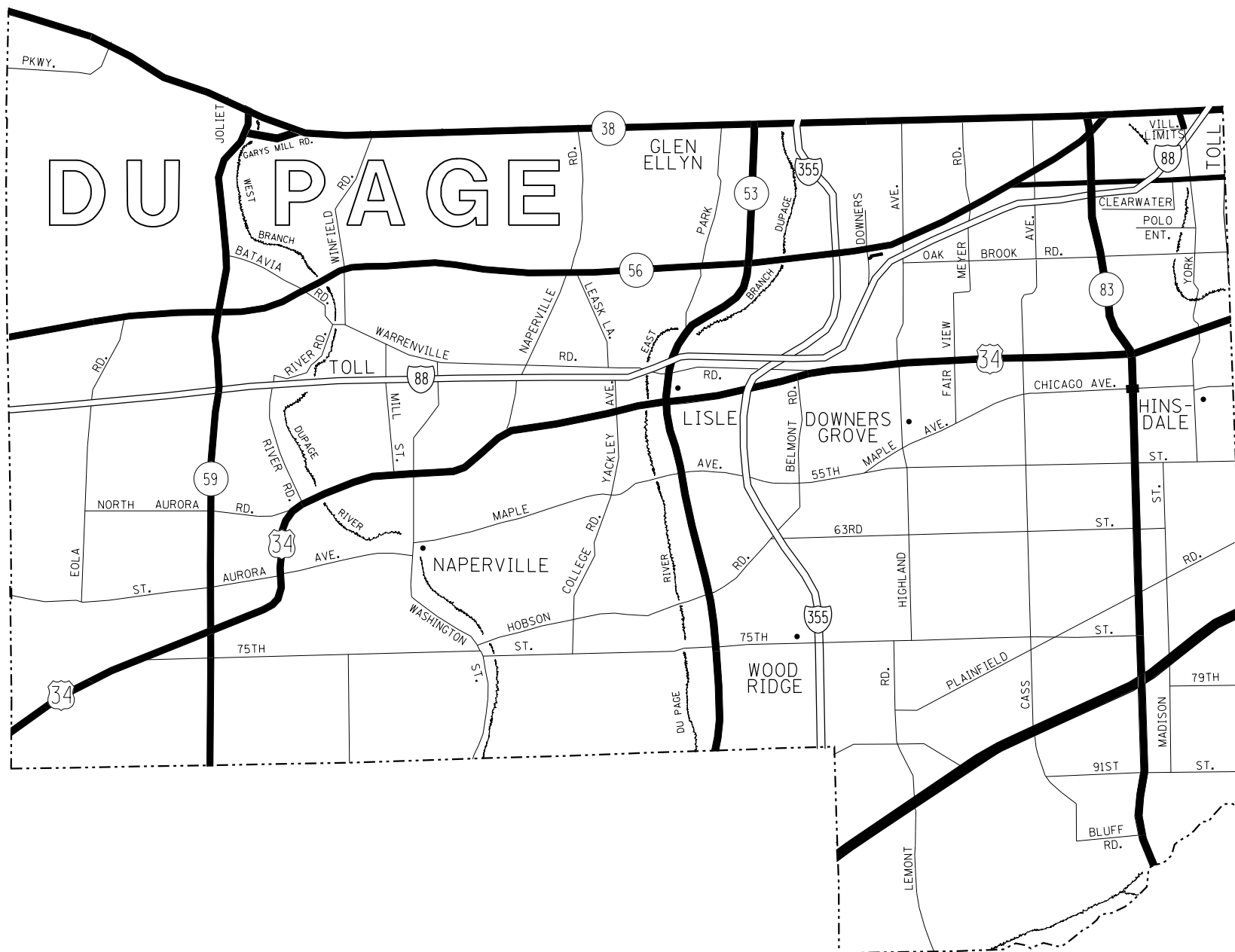
FILE NAME =	USER NAME = pyznowskirb	DESIGNED -	REVISED -
p:\1\084EBIDINTEG.1\Illinois.gov\PI\DOT\Documents\DOT Offices\District 1\Projects\0144816\Design\0144816-sht-plan.dgn		REVISED -	REVISED -
Default	PLOT SCALE = 100.0000' / in.	CHECKED -	REVISED -
	PLOT DATE = 5/8/2018	DATE -	REVISED -

STATE OF ILLINOIS
DEPARTMENT OF TRANSPORTATION

FENCE REPAIR LOCATION MAP - COOK COUNTY
SOUTH OF IL RTE 38

SCALE:	SHEET	OF	SHEETS	STA.	TO	STA.
--------	-------	----	--------	------	----	------

F.A. RTE.	SECTION	COUNTY	TOTAL SHEETS	SHEET NO.
VAR	2018-FNC-1	VARIOUS	29	18
CONTRACT NO. 62G49				
ILLINOIS FED. AID PROJECT				



DISTRICT NO. 1
MAINTENANCE DESIGNATIONS

- VARIOUS COLORS STATE HIGHWAYS & EXPRESSWAYS
- TOLLWAY
- CITY MAINTENANCE AGREEMENTS
- FUTURE HIGHWAYS
- VARIOUS AGENCIES HIGHWAYS

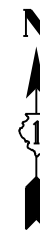
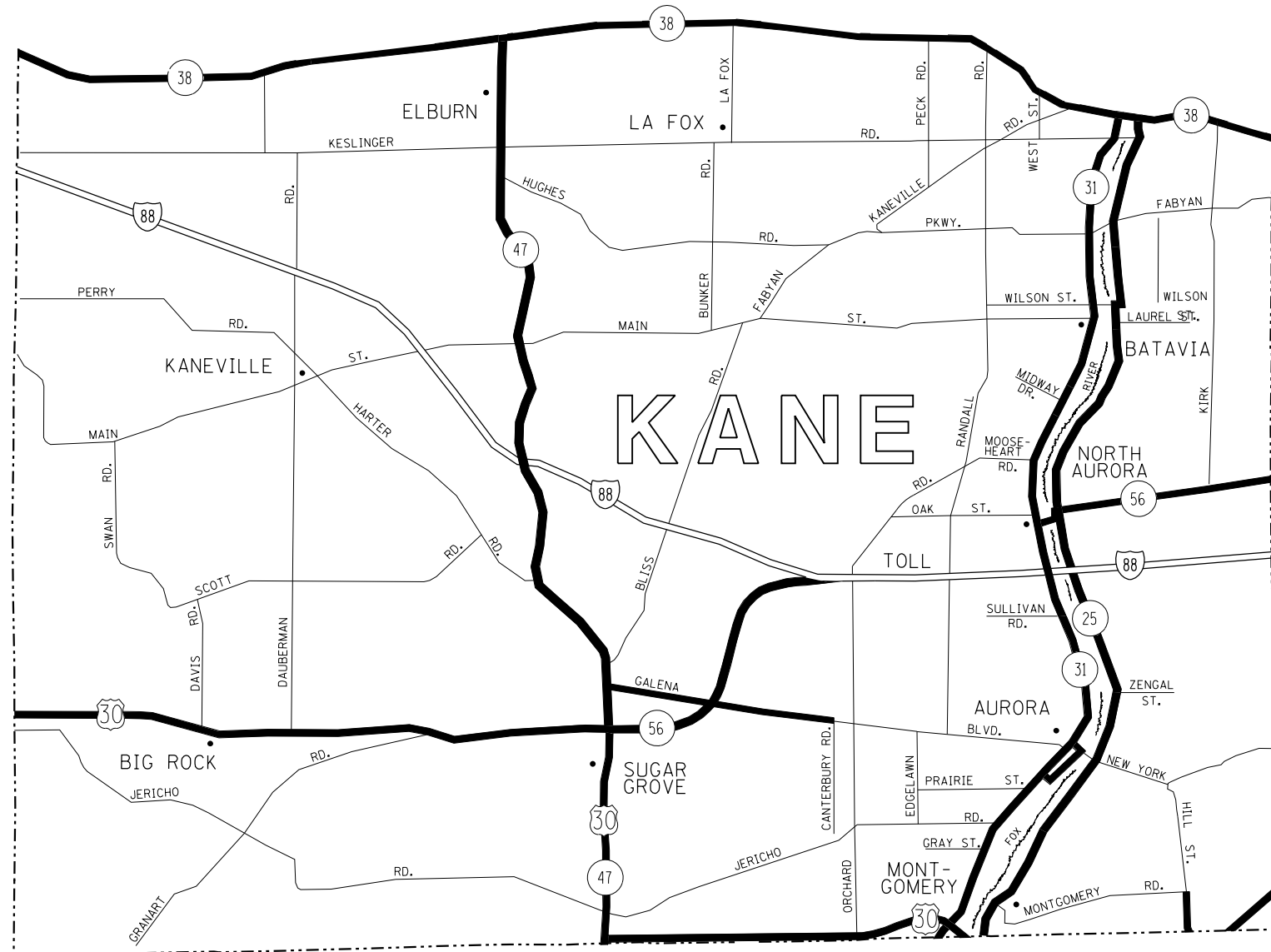
FILE NAME =	USER NAME = pyrzezowski	DESIGNED -	REVISED -
pw:\IL\084EBIDINTEG\illinois.gov\PWIDOT\Documents\DOT Offices\District 1\Projects\1448\BROWNS\Design\144816-sht-plan.dgn		REVISION	REVISED -
Default	PLOT SCALE = 100.0000' / in.	CHECKED -	REVISED -
	PLOT DATE = 5/8/2018	DATE -	REVISED -

STATE OF ILLINOIS
DEPARTMENT OF TRANSPORTATION

FENCE REPAIR LOCATION MAP - DuPAGE COUNTY
SOUTH OF IL RTE 38

SCALE: SHEET OF SHEETS STA. TO STA.

F.A. RTE.	SECTION	COUNTY	TOTAL SHEETS	SHEET NO.
VAR	2018-FNC-1	VARIOUS	29	19
			CONTRACT NO. 62G49	
ILLINOIS FED. AID PROJECT				



DISTRICT NO. 1
MAINTENANCE DESIGNATIONS

- VARIOUS AGENCIES HIGHWAYS
- CITY MAINTENANCE AGREEMENTS
- FUTURE HIGHWAYS
- TOLLWAY
- STATE HIGHWAYS & EXPRESSWAYS

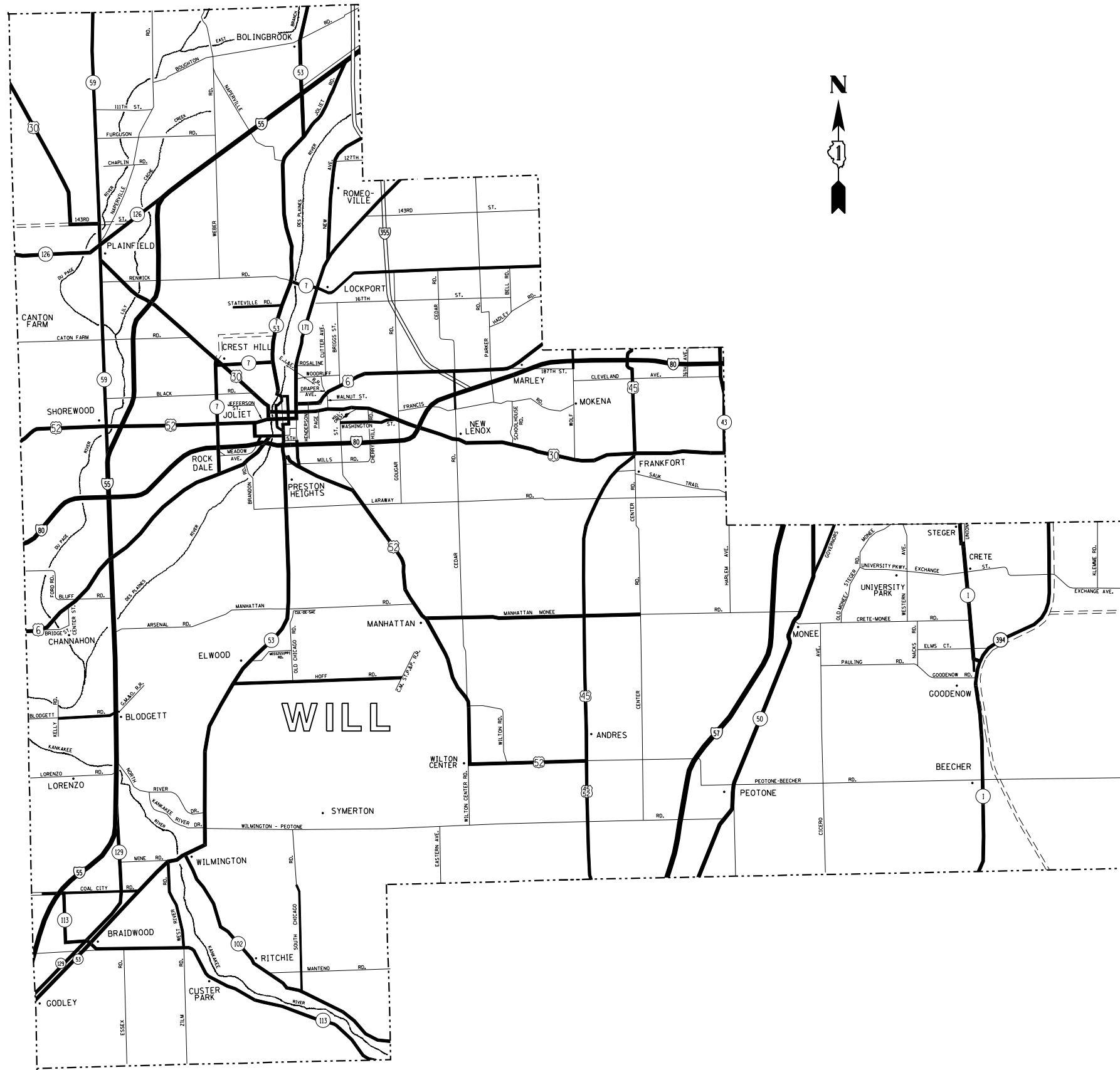
FILE NAME =	USER NAME = pyrozenowskirb	DESIGNED -	REVISED -
p:\11\084EBIDINTEG.illinois.gov\PIWIDOT\Documents\IDOT Offices\District 1\Projects\144816\144816-1\144816-1.dgn		DRWN	REVISED -
Default	PLOT SCALE = 100.0000' / in.	CHECKED -	REVISED -
	PLOT DATE = 5/8/2018	DATE -	REVISED -

STATE OF ILLINOIS
DEPARTMENT OF TRANSPORTATION

FENCE REPAIR LOCATION MAP - KANE COUNTY
SOUTH OF IL RTE 38

SCALE: SHEET OF SHEETS STA. TO STA.

F.A. RTE.	SECTION	COUNTY	TOTAL SHEETS	SHEET NO.
VAR	2018-FNC-1	VARIOUS	29	20
			CONTRACT NO. 62G49	
ILLINOIS FED. AID PROJECT				



DISTRICT NO. 1 MAINTENANCE DESIGNATIONS

- VARIOUS COLORS STATE HIGHWAYS & EXPRESSWAYS
- TOLLWAY
- CITY MAINTENANCE AGREEMENTS
- FUTURE HIGHWAYS
- VARIOUS AGENCIES HIGHWAYS

FILE NAME =	USER NAME = pyznowskirb	DESIGNED -	REVISED -
pw\11084EBIDINTEG\illinois.gov\PIWIDOT\Documents\DOT Offices\District 1\Projects\144816\Design\144816-sht-plan.dgn		DRWN	REVISED -
Default	PLOT SCALE = 100.0000' / in.	CHECKED -	REVISED -
	PLOT DATE = 5/8/2018	DATE -	REVISED -

**STATE OF ILLINOIS
DEPARTMENT OF TRANSPORTATION**

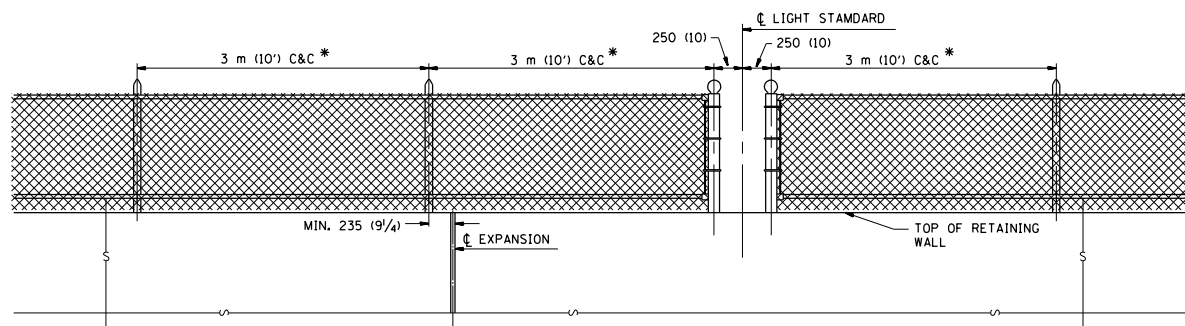
FENCE REPAIR LOCATION MAP - WILL COUNTY

SCALE: SHEET OF SHEETS STA. TO STA.

F.A. RTE.	SECTION	COUNTY	TOTAL SHEETS	SHEET NO.
VAR	2018-FNC-1	VARIOUS	29	21
CONTRACT NO. 62G49				
ILLINOIS FED. AID PROJECT				

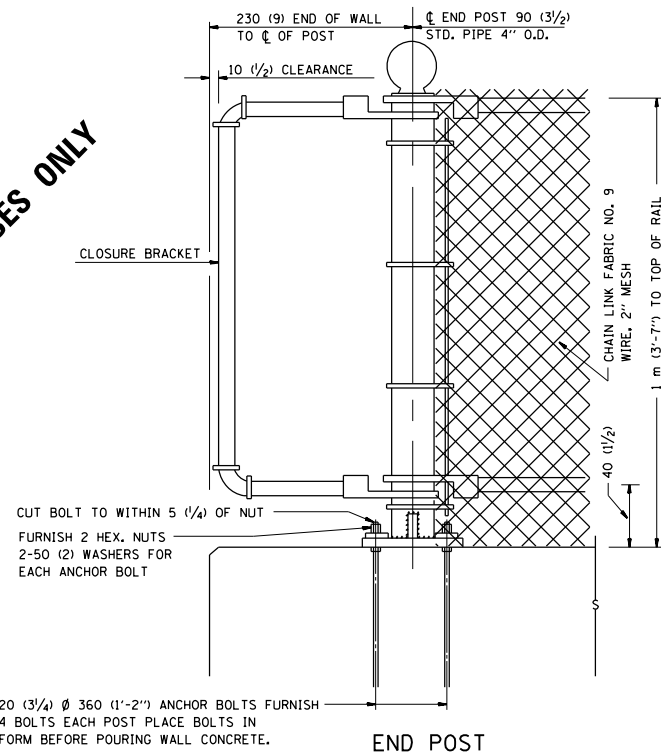
NOTE

* MAXIMUM POST SPACING SHALL BE 3 m (10') C&C EXCEPT WHERE OTHERWISE SHOWN ON PLANS



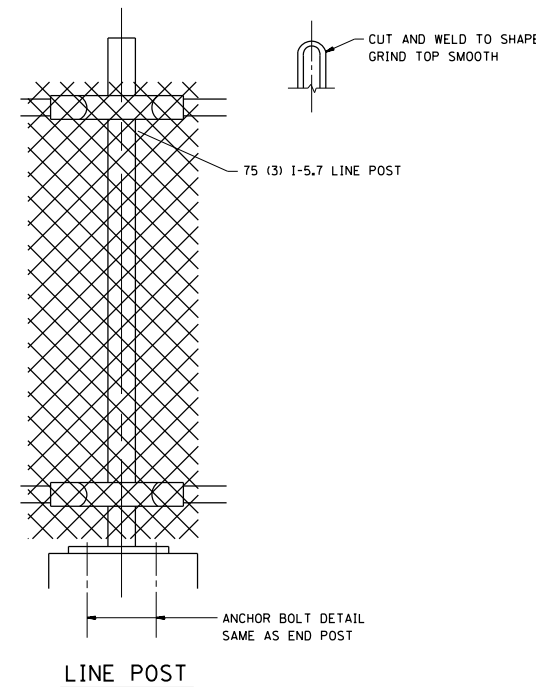
ELEVATION VIEW OF RETAINING WALL WITH PEDESTRIAN BARRIER TYPE III

FOR INFORMATIONAL PURPOSES ONLY

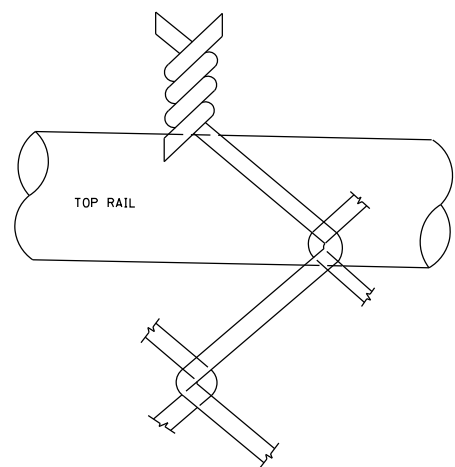


END POST

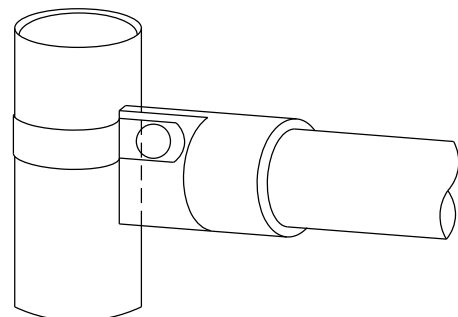
NOTE:
THE COST OF FURNISHING ANCHOR BOLTS, NUTS, & WASHERS TO BE INCIDENTAL



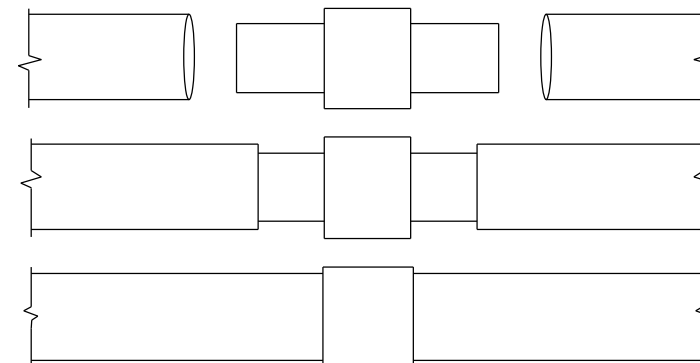
LINE POST



WIRE MESH FABRIC TO BE BARBED AT THE TOP

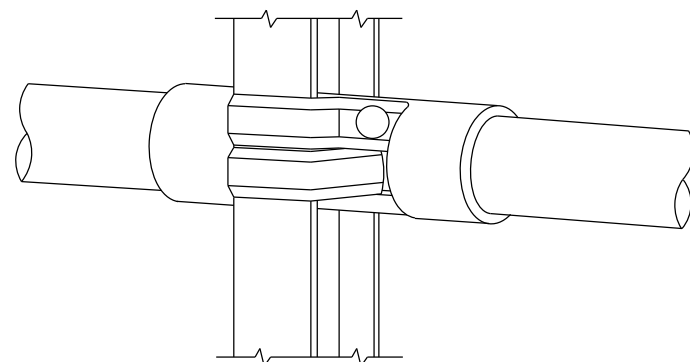


RAIL FITTING AT END POSTS

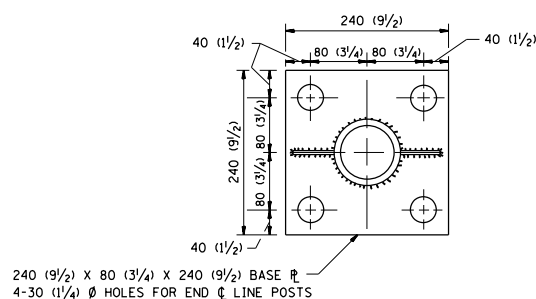


EXPANSION COUPLING DETAIL

NOTE:
EXP. COUPLING TO APPEAR IN TOP AND BOTTOM RAILS WHERE EVER EXP. JT. APPEARS IN STRUCTURE.



RAIL FITTING ON SECTION LINE POST

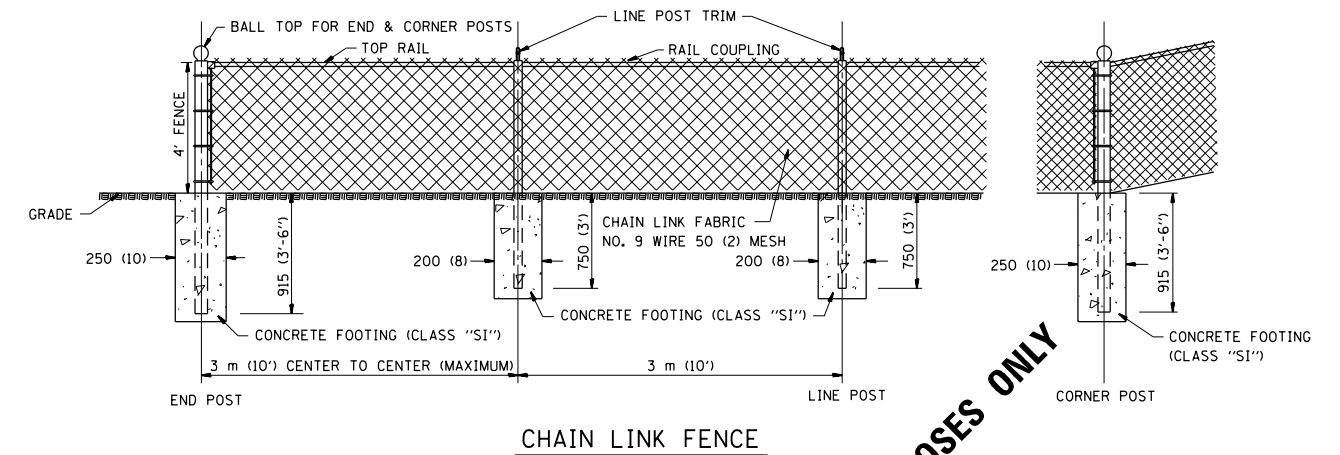


ANCHOR PLATE DETAILS

NOTE:
POST, PLATE AND GUSSET ASSEMBLY SHALL BE GALVANIZED AFTER ALL CUTTING, DRILLING, WELDING, AND FABRICATION HAVE BEEN COMPLETED. THE GALVANIZED COATING SHALL CONFORM TO THE REQUIREMENTS OF AASHTO M 120. THE GALVANIZED COATING SHALL NOT BE LESS THAN 610 G/SQ M (2.0 OZ./SQ. FT.) OF SURFACE.

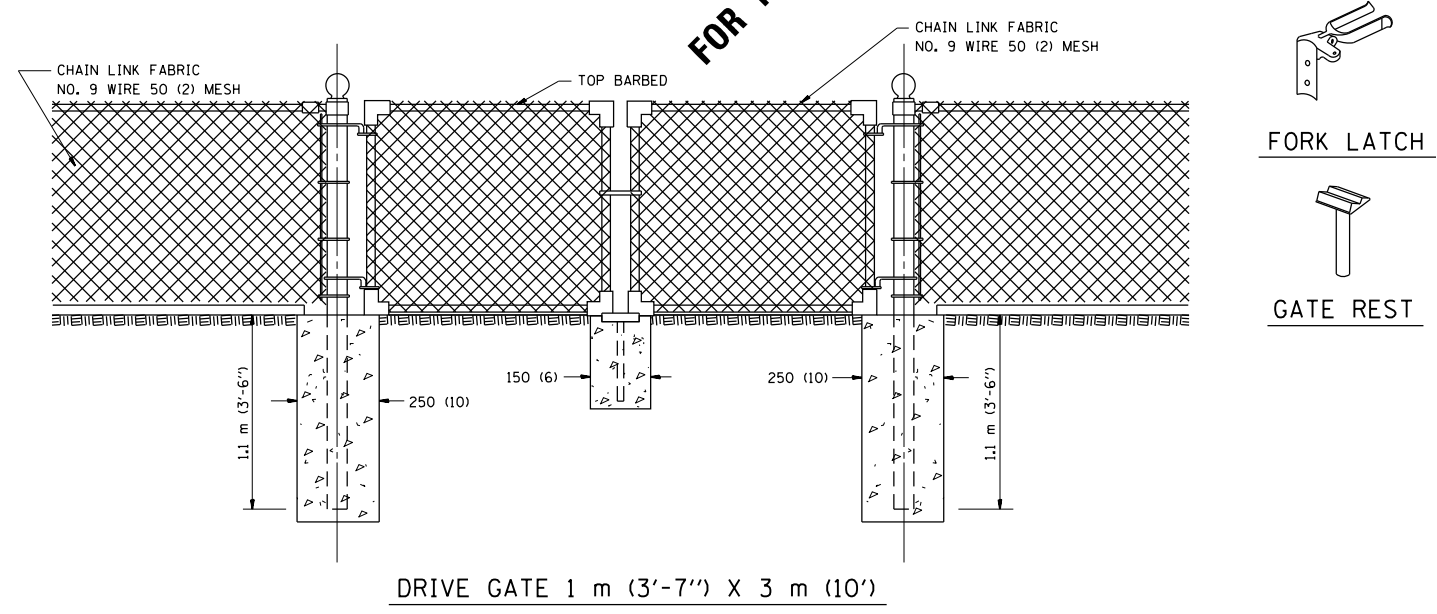
ALL DIMENSIONS ARE IN MILLIMETERS (INCHES) UNLESS OTHERWISE SHOWN.

FILE NAME =	USER NAME = pyrzenowski	DESIGNED -	REVISED -	STATE OF ILLINOIS DEPARTMENT OF TRANSPORTATION	PEDESTRIAN BARRIER TYPE III STD. 10-SS-514 R				F.A. RTÉ.	SECTION	COUNTY	TOTAL SHEETS	SHEET NO.
pw:\IL\084EBIDINTEG\illinois.gov\PWIDOT\Documents\DOT Offices\District 1\Projects\144816\Design\144816-shr-plan.dgn		CHECKED -	REVISED -						VAR	2018-FNC-1	VARIOUS	29	22
PLOT SCALE = 100.0000' / 1in.		DATE -	REVISED -		CONTRACT NO. 62G49								
PLOT DATE = 5/8/2018					FED. ROAD DIST. NO.	ILLINOIS	FED. AID PROJECT						



CHAIN LINK FENCE

FOR INFORMATIONAL PURPOSES ONLY



DRIVE GATE 1 m (3'-7") X 3 m (10')

ALL DIMENSIONS ARE IN MILLIMETERS (INCHES) UNLESS OTHERWISE SHOWN.

NOTE:
 THE CHAIN LINK FENCE AS SHOWN HEREIN SHALL BE CONSTRUCTED AT SUCH LOCATIONS AS SHOWN ON PLANS AND IN ACCORDANCE WITH THE SPECIAL PROVISIONS

 THE ENGINEER SHALL ESTABLISH ALL NECESSARY LINE AND GRADE PRIOR TO THE ERECTION OF THE FENCE IN CONFORMANCE WITH THE PLANS

FILE NAME =	USER NAME = pyzenowski	DESIGNED -	REVISED -
p:\11\084EBIDINTEG\illinois.gov\PI\DOT\Documents\DOT Offices\District 1\Projects\144816\Design\144816-sht-plan.dgn		CHECKED -	REVISED -
		DATE -	REVISED -

STATE OF ILLINOIS
 DEPARTMENT OF TRANSPORTATION

CHAIN LINK FENCE
 STD. 10-SS-506 B

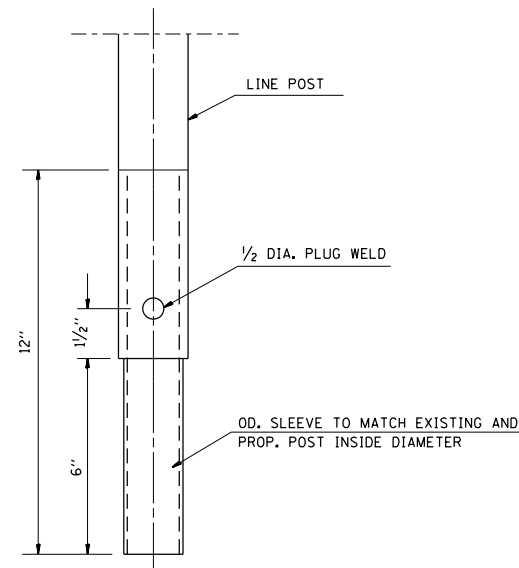
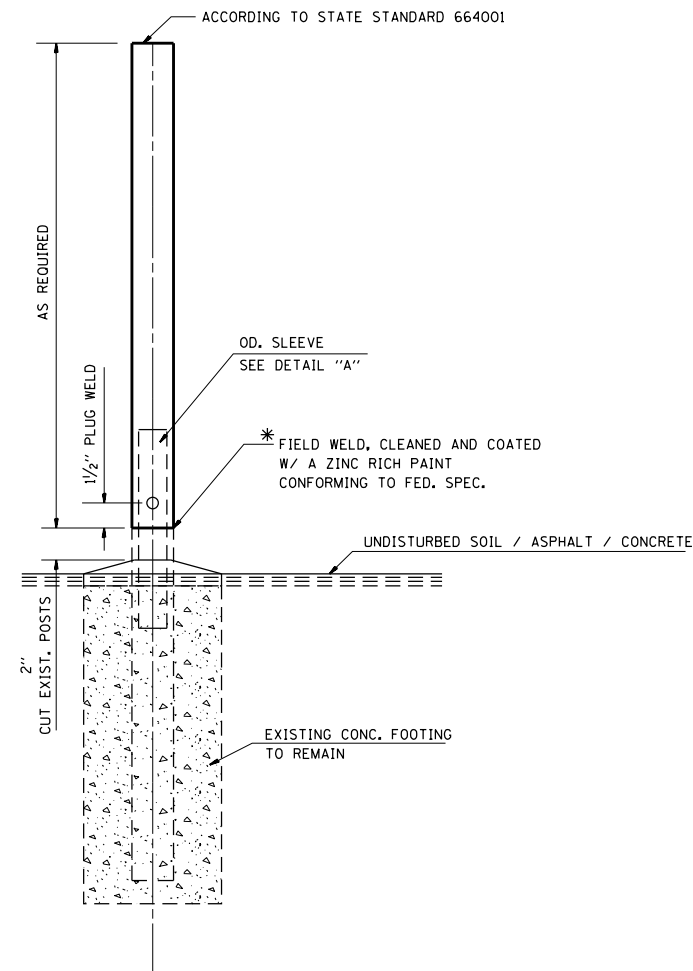
SCALE:	SHEET NO.	OF SHEETS	STA.	TO STA.
--------	-----------	-----------	------	---------

F.A. RTE.	SECTION	COUNTY	TOTAL SHEETS	SHEET NO.
VAR	2018-FNC-1	VARIOUS	29	23
CONTRACT NO. 62G49				
FED. ROAD DIST. NO. ILLINOIS FED. AID PROJECT				

GENERAL NOTES:

THIS WORK CONSISTS OF FURNISHING ALL LABOR, MATERIALS, TOOLS AND EQUIPMENT TO REPAIR CHAIN LINK FENCE POST SLEEVE AS SHOWN ON THE PLANS OR AS DIRECTED BY THE ENGINEER, AND IN ACCORDANCE WITH STATE STANDARD 664001.

BASIS OF PAVEMENT: THIS WORK SHALL BE PAID FOR AT THE CONTRACT UNIT PRICE EACH FOR "CHAIN LINK FENCE POST SLEEVE REPAIR" WHICH PRICE SHALL BE PAYMENT IN FULL TO COMPLETE THE WORK AS SPECIFIED HEREIN.



SLEEVE DET. DWG
DETAIL "A"
SLEEVE DETAIL

* THIS WORK SHALL BE INCLUDED IN THE COST OF THE PAY ITEM "CHAIN LINK FENCE POST SLEEVE REPAIR"

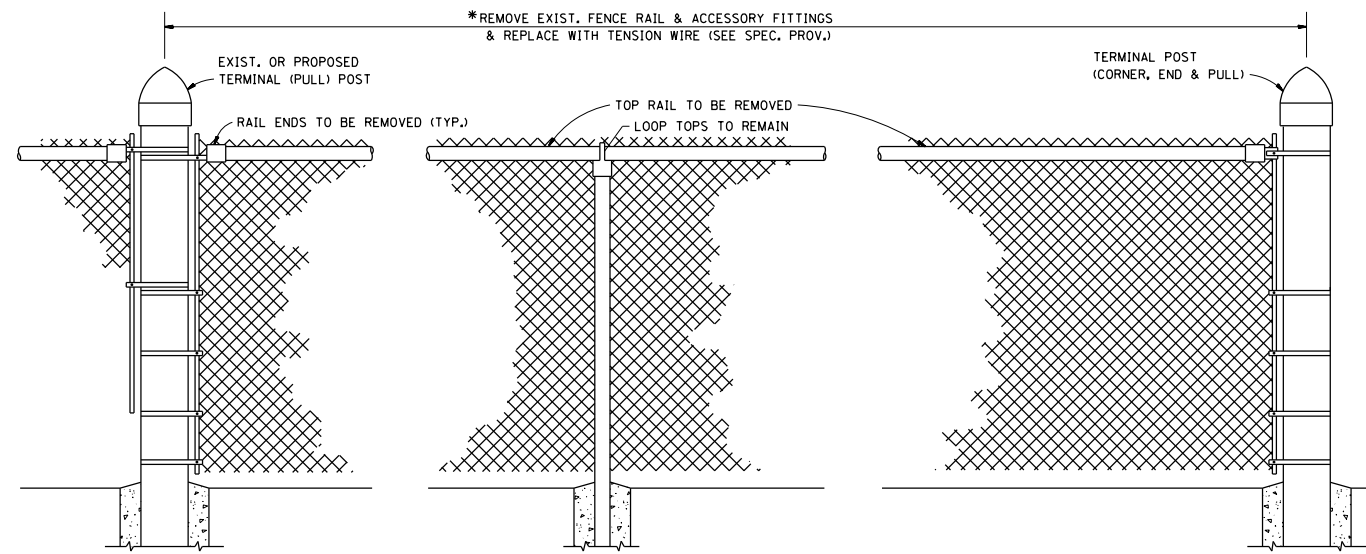
FILE NAME =	USER NAME = pyrzenowski	DESIGNED -	REVISED -
p:\11\084EBID\INTEG.illinois.gov\PWIDOT\Documents\IDOT Offices\District 1\Projects\144816\Design\144816-shr-plan.dgn		CHECKED -	REVISED -
		DATE -	REVISED -

**STATE OF ILLINOIS
DEPARTMENT OF TRANSPORTATION**

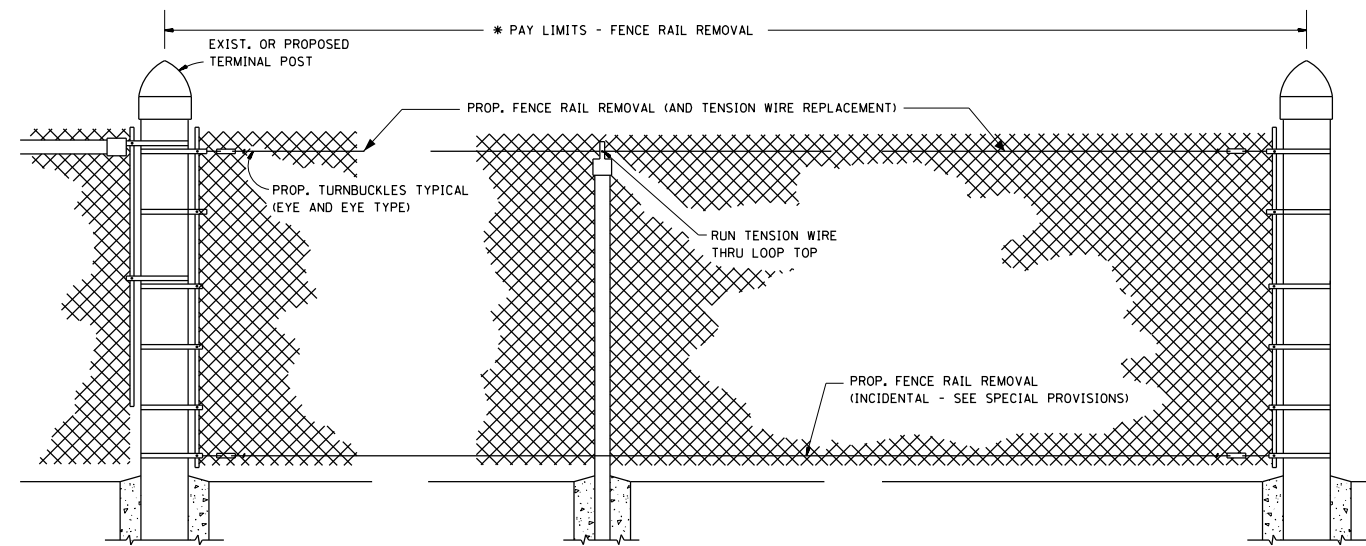
**CHAIN LINK FENCE POST SLEEVE
REPAIR DETAIL**

SCALE: SHEET NO. OF SHEETS STA. TO STA.

F.A. RTE.	SECTION	COUNTY	TOTAL SHEETS	SHEET NO.
VAR	2018-FNC-1	VARIOUS	29	24
FED. ROAD DIST. NO.			ILLINOIS FED. AID PROJECT	
			CONTRACT NO. 62G49	



EXIST. CHAIN LINK FENCE WITH TOP RAIL



PROP. CHAIN LINK FENCE WITH "FENCE RAIL REMOVAL"

* THE ENGINEER IN CHARGE SHALL DETERMINE THE LENGTH OF FENCE RAIL TO BE REMOVED & REPLACED WITH "TENSION WIRE"

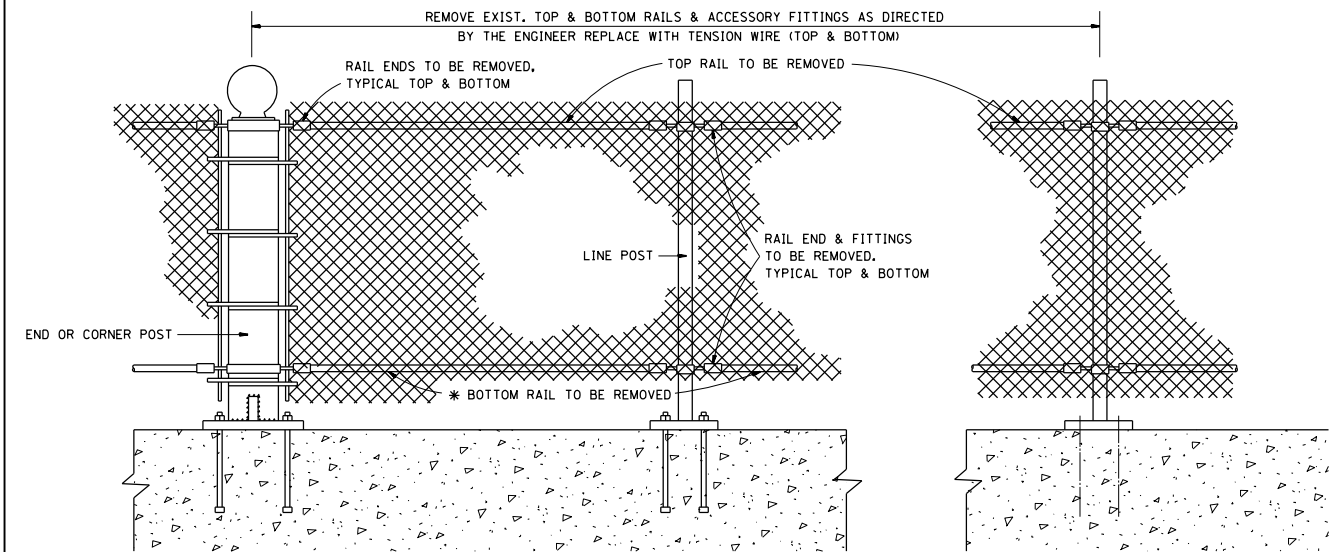
GENERAL NOTES

FENCE RAIL REMOVAL: THIS ITEM CONSISTS OF REMOVING EXISTING TOP OR BOTTOM RAIL, (DAMAGED OR UNDAMAGED) AND REPLACING WITH TENSION WIRE. BOTTOM TENSION WIRE SHALL BE CONSIDERED INCIDENTAL EXCEPT AT LOCATIONS OF EXISTING BOTTOM RAIL REMOVAL.

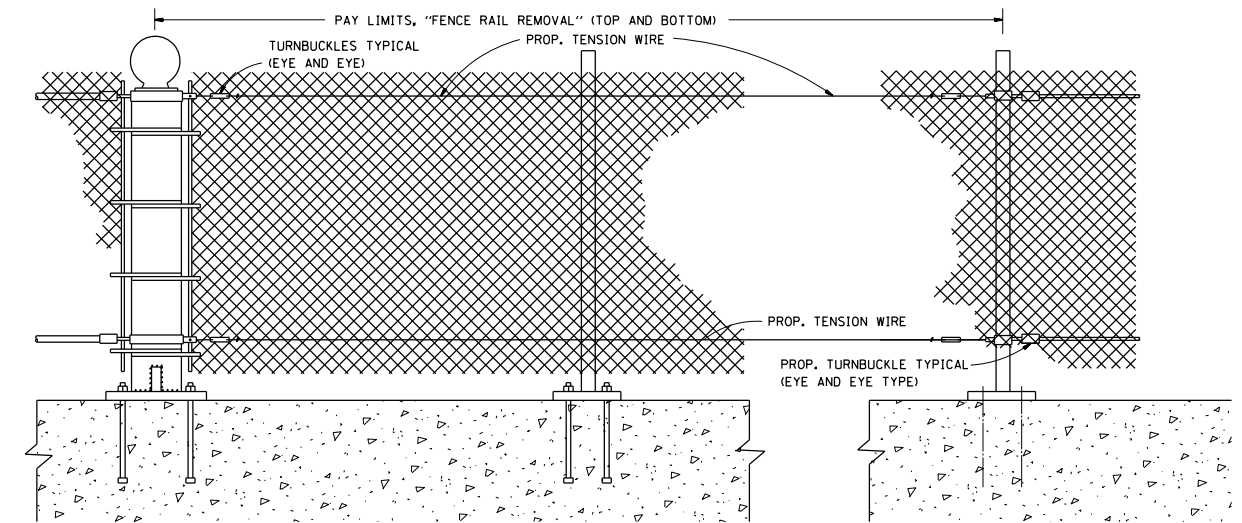
TENSION WIRE: THIS ITEM CONSISTS OF INSTALLING TENSION WIRE, TOP OR BOTTOM, WHERE TOP OR BOTTOM RAIL IS NON-EXISTENT, OR WHERE EXISTING DAMAGED TENSION WIRE IS REMOVED AND REPLACED BY NEW TENSION WIRE.

ALL WORK AND MATERIALS SHALL BE IN ACCORDANCE WITH THE PLANS, SPECIAL PROVISIONS, STANDARD SPECIFICATIONS AND STANDARD 664001.

REPLACEMENT OF OTHER FENCE COMPONENT PARTS SHALL BE MEASURED AND PAID FOR SEPARATELY AS DESCRIBED IN THE SPECIAL PROVISIONS.



EXIST. PEDESTRIAN BARRIER TYPE 3 WITH TOP AND BOTTOM RAILS



PROP. PEDESTRIAN BARRIER TYPE 3 WITH FENCE RAIL REMOVAL

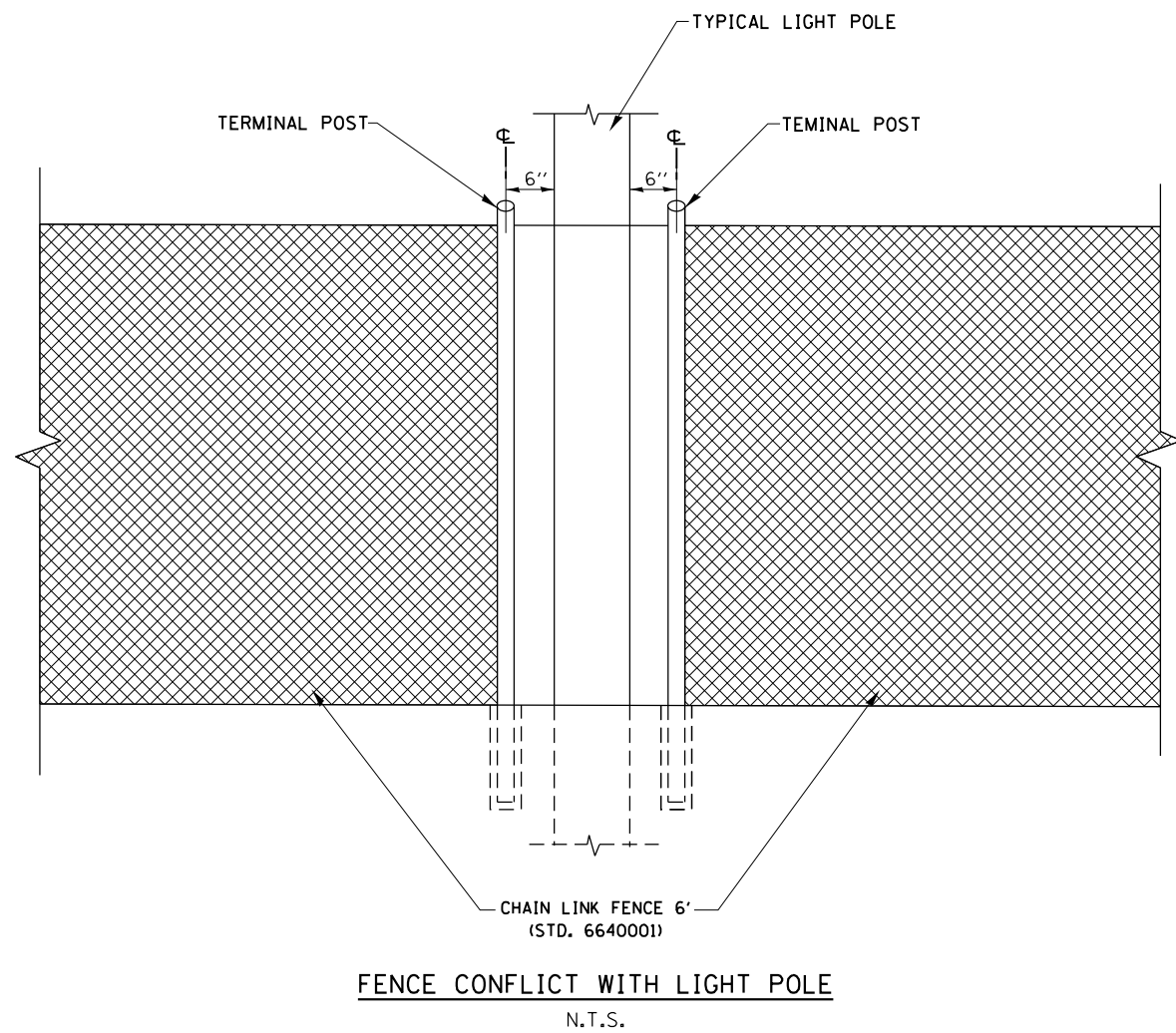
ALL DIMENSIONS ARE IN MILLIMETERS (INCHES) UNLESS OTHERWISE SHOWN.

FILE NAME =	USER NAME = pyrzenowski	DESIGNED -	REVISED -
p:\11\084EBIDINTEG\illinois.gov\PIWIDOT\Documents\DOT Offices\District 1\Projects\144816\Design\144816-shr-plan.dgn		CHECKED -	REVISED -
		DATE -	REVISED -

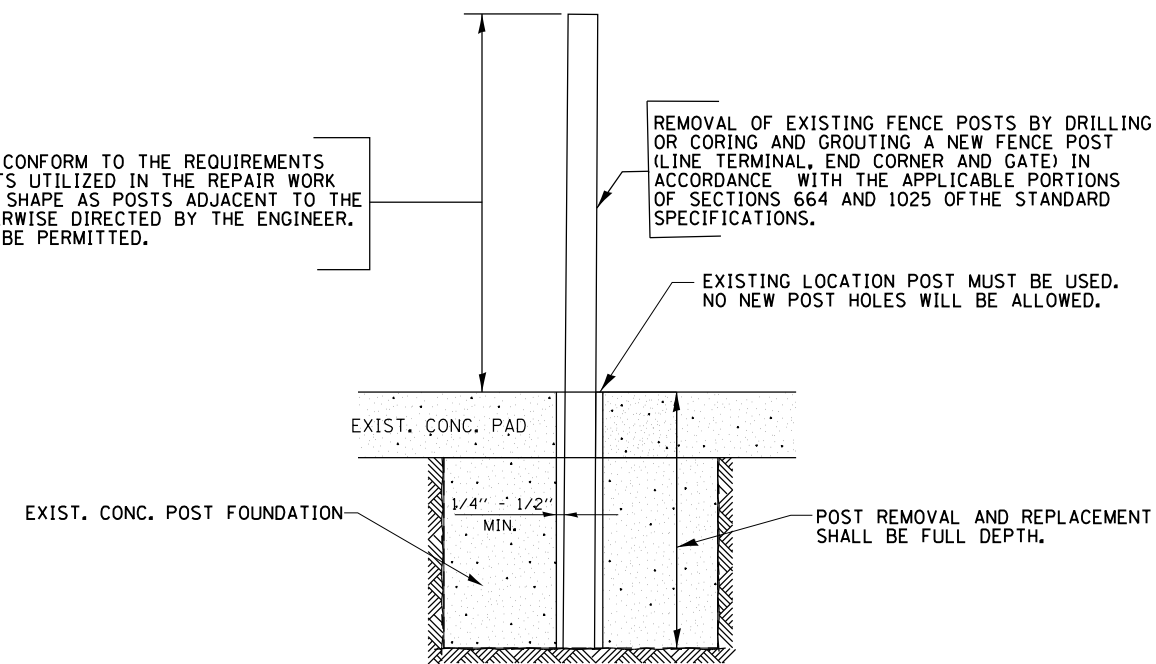
**STATE OF ILLINOIS
DEPARTMENT OF TRANSPORTATION**

PROPOSED PEDESTRIAN BARRIER AND CHAIN LINK FENCE WITH TENSION WIRE AND FENCE RAIL REMOVAL			
SCALE:	SHEET NO.	OF SHEETS	STA. TO STA.

F.A. RTE.	SECTION	COUNTY	TOTAL SHEETS	SHEET NO.
VAR	2018-FNC-1	VARIOUS	29	25
CONTRACT NO. 62G49				
FED. ROAD DIST. NO. ILLINOIS FED. AID PROJECT				



GALVANIZED POSTS SHALL CONFORM TO THE REQUIREMENTS OF STANDARD 864001 POSTS UTILIZED IN THE REPAIR WORK SHALL BE THE SAME TYPE SHAPE AS POSTS ADJACENT TO THE REPAIR AREA UNLESS OTHERWISE DIRECTED BY THE ENGINEER. NO USED MATERIALS WILL BE PERMITTED.



POST REMOVAL AND REPLACEMENT

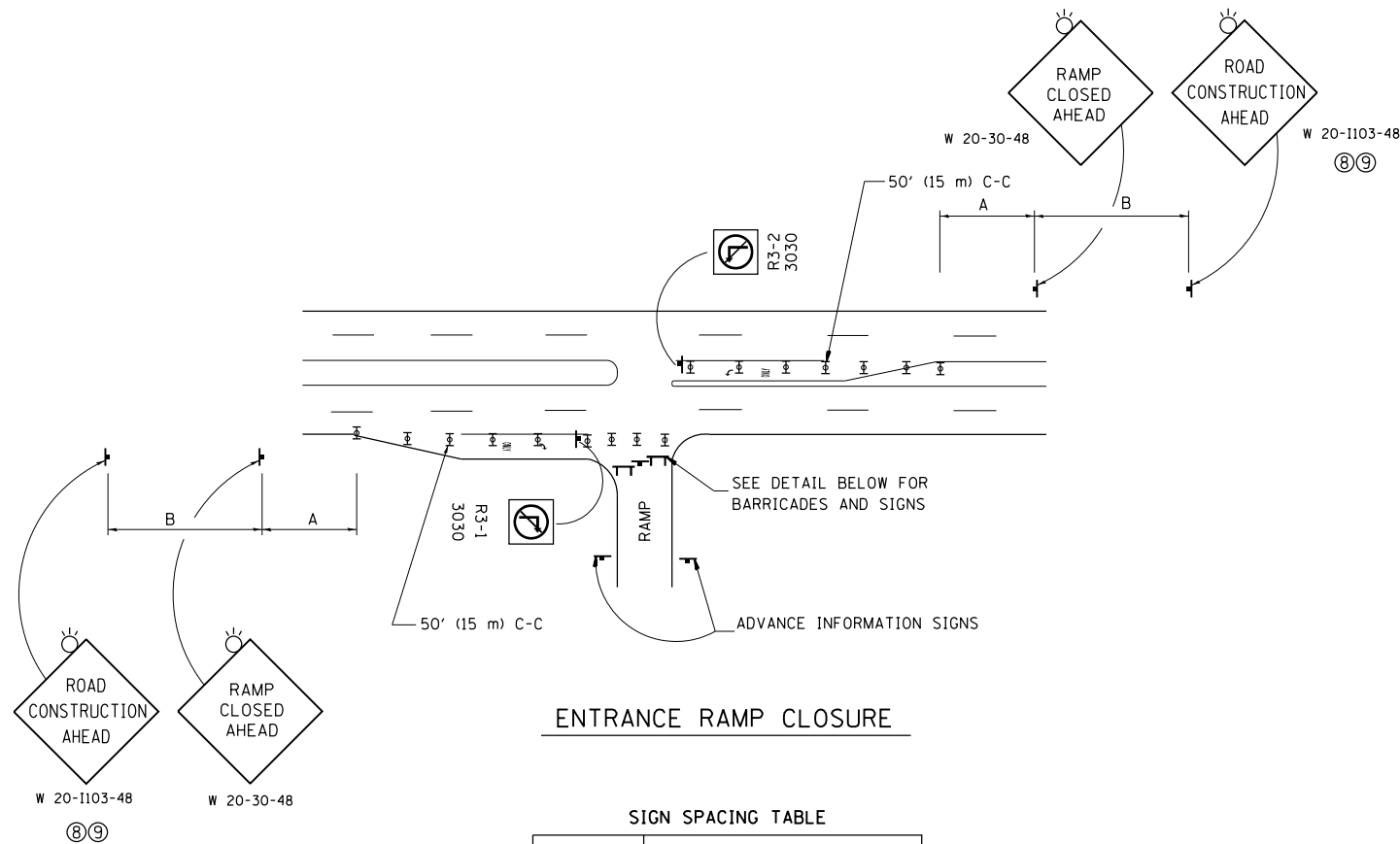
FILE NAME =	USER NAME = pyzenowski	DESIGNED -	REVISED -
p:\11\084EBIDINTEG.illinois.gov\PIWIDOT\Documents\IDOT Offices\District 1\Projects\144816\Design\144816-sh-t-plan.dgn		CHECKED -	REVISED -
Default	PLOT DATE = 5/8/2018	DATE -	REVISED -

**STATE OF ILLINOIS
DEPARTMENT OF TRANSPORTATION**

SPECIAL FENCE DETAILS

SCALE: SHEET OF SHEETS STA. TO STA.

F.A. RTE.	SECTION	COUNTY	TOTAL SHEETS	SHEET NO.
VAR	2018-FNC-1	VARIOUS	29	26
			CONTRACT NO. 62G49	
ILLINOIS FED. AID PROJECT				

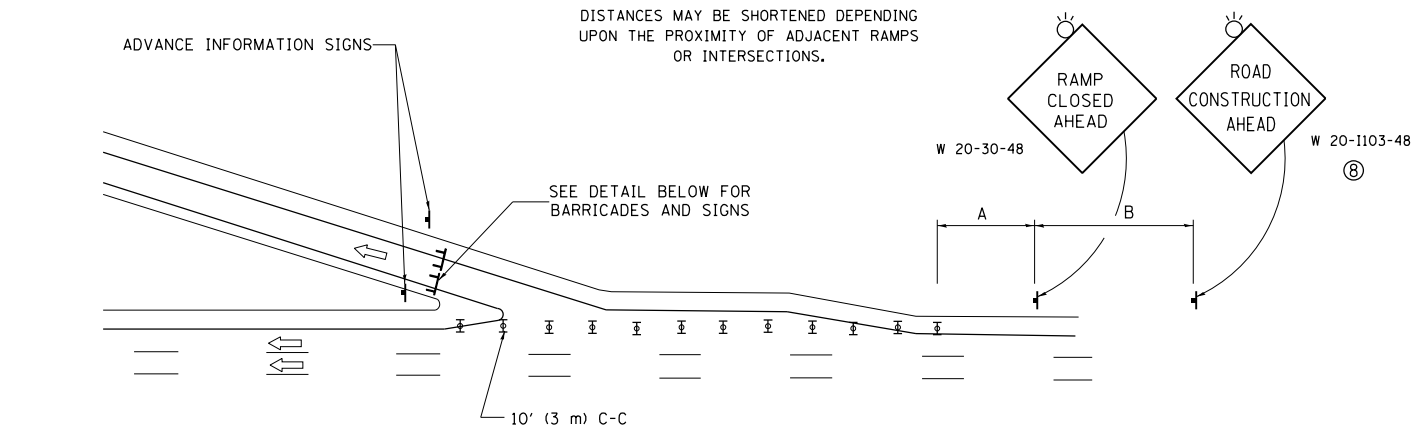


ENTRANCE RAMP CLOSURE

SIGN SPACING TABLE

FACILITY	DISTANCE BETWEEN SIGNS	
	A	B
EXPRESSWAY >24 HOURS	1000' (300 m)	1500' (450 m)
EXPRESSWAY <24 HOURS	500' (150 m)	500' (150 m)
ARTERIAL 55 MPH	500' (150 m)	500' (150 m)
ARTERIAL 50-45 MPH	350' (100 m)	350' (100 m)
ARTERIAL <45 MPH	200' (60 m)	200' (60 m)

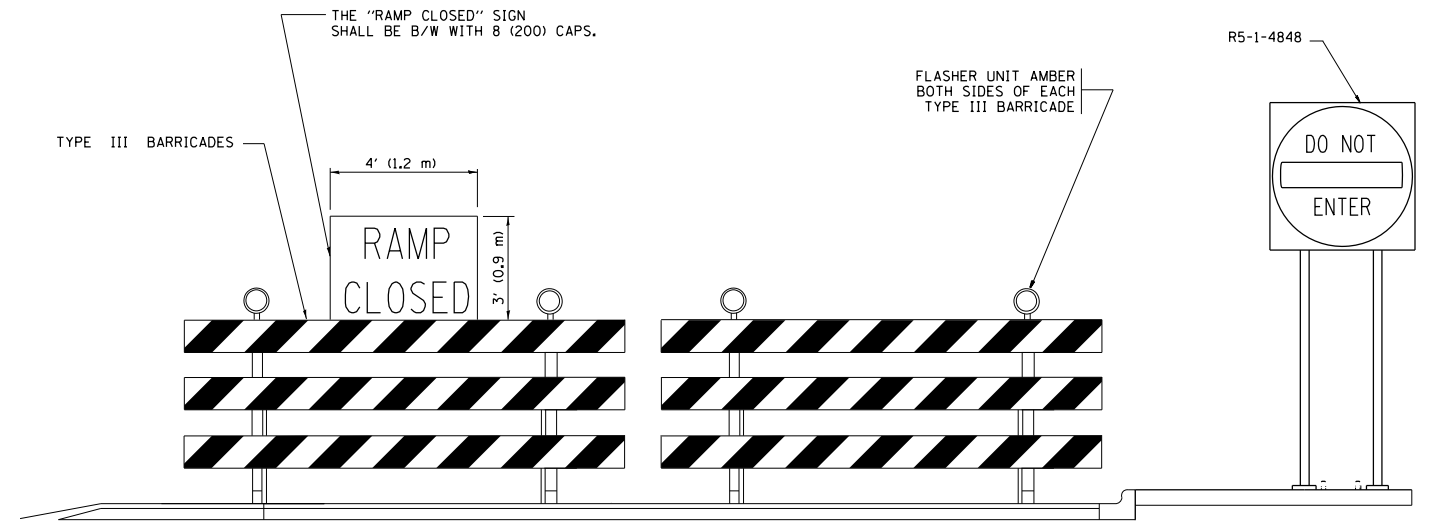
DISTANCES MAY BE SHORTENED DEPENDING UPON THE PROXIMITY OF ADJACENT RAMPS OR INTERSECTIONS.



EXIT RAMP CLOSURE

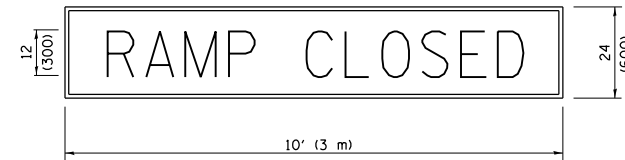
SYMBOLS

- ⊥ TYPE II BARRICADE OR DRUM
- ⊓ TYPE III BARRICADE WITH 2 FLASHING LIGHTS



DETAIL FOR REQUIRED BARRICADES & SIGNS

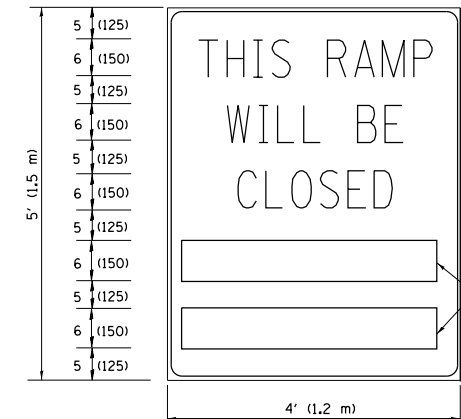
RAMP CLOSURE ADVANCE WARNING SIGN



BLACK LEGEND ON ORANGE BACKGROUND MOUNTED DIAGONALLY
E MOD FONT
1 (25) BORDER

THESE SIGNS ARE REQUIRED ON ALL THE EXIT GUIDE SIGNS FOR EXIT RAMPS THAT WILL BE CLOSED FOR MORE THAN FOUR (4) CONSECUTIVE DAYS.

RAMP CLOSURE ADVANCE INFORMATION SIGN



BLACK LEGEND ON WHITE BACKGROUND

1/2 (12) BORDER

E MOD FONT

THESE BLANK AREAS SHALL BE FILLED WITH THE DATES AND THE TIME THAT THE RAMP WILL BE CLOSED.

THESE SIGNS ARE REQUIRED ON BOTH SIDES OF THE RAMP, MINIMUM OF 1 WEEK IN ADVANCE OF THE CLOSURE.

THESE SIGNS SHALL BE FABRICATED AND PAID FOR ACCORDING TO THE TEMPORARY INFORMATION SIGNING SPECIAL PROVISION

GENERAL NOTES:

- ① CONES MAY BE SUBSTITUTED FOR DRUMS OR TYPE II BARRICADES DURING DAY OPERATIONS. CONES SHALL BE A MINIMUM OF 28 (700) HIGH.
- ② VERTICAL BARRICADES SHALL NOT BE USED FOR RAMP CLOSURES.
- ③ A FLAGGER SHALL BE POSITIONED AT EACH CLOSED RAMP THAT IS OPEN TO CONSTRUCTION VEHICLES, PRECEDED BY A W20-7 FLAGGER WARNING SIGN.
- ④ ALL ROUTE MARKERS AND TRAILBLAZER ASSEMBLIES WHICH DIRECT MOTORISTS TO A CLOSED ENTRANCE RAMP SHALL BE COVERED WHEN THE RAMP IS CLOSED FOR MORE THAN FOUR (4) DAYS.
- ⑤ THE SIGNING AND BARRICADING WHICH IS REQUIRED BY THIS DETAIL SHALL BE INCLUDED IN THE COST OF TRAFFIC CONTROL AND PROTECTION (EXPRESSWAYS).
- ⑥ AUTHORIZATION FROM THE DISTRICT'S BUREAU OF TRAFFIC IS REQUIRED FOR ALL RAMP CLOSURES.
- ⑦ THE RAMP CLOSURE ADVANCE INFORMATION SIGNS SHALL BE ERECTED IF THE CLOSURE TIME EXCEEDS TWENTY-FOUR (24) HOURS. ADDITIONAL ADVANCE WARNING SIGNS ON EXIT GUIDE SIGNING WILL BE REQUIRED FOR EXIT RAMP CLOSURES THAT EXCEED FOUR (4) DAYS IN LENGTH
- ⑧ ROAD CONSTRUCTION AHEAD SIGNS MAY BE OMITTED WHEN THIS DETAIL IS USED IN CONJUNCTION WITH OTHER TRAFFIC CONTROL THAT ALREADY INCLUDES A ROAD CONSTRUCTION AHEAD SIGN.
- ⑨ ARTERIAL ROAD CONSTRUCTION AHEAD SIGNS SHALL BE INSTALLED ON THE LEFT SIDE OF TRAFFIC IF THE MEDIAN IS MORE THAN 10 FT WIDE.

ALL DIMENSIONS ARE IN INCHES (MILLIMETERS) UNLESS OTHERWISE SHOWN.

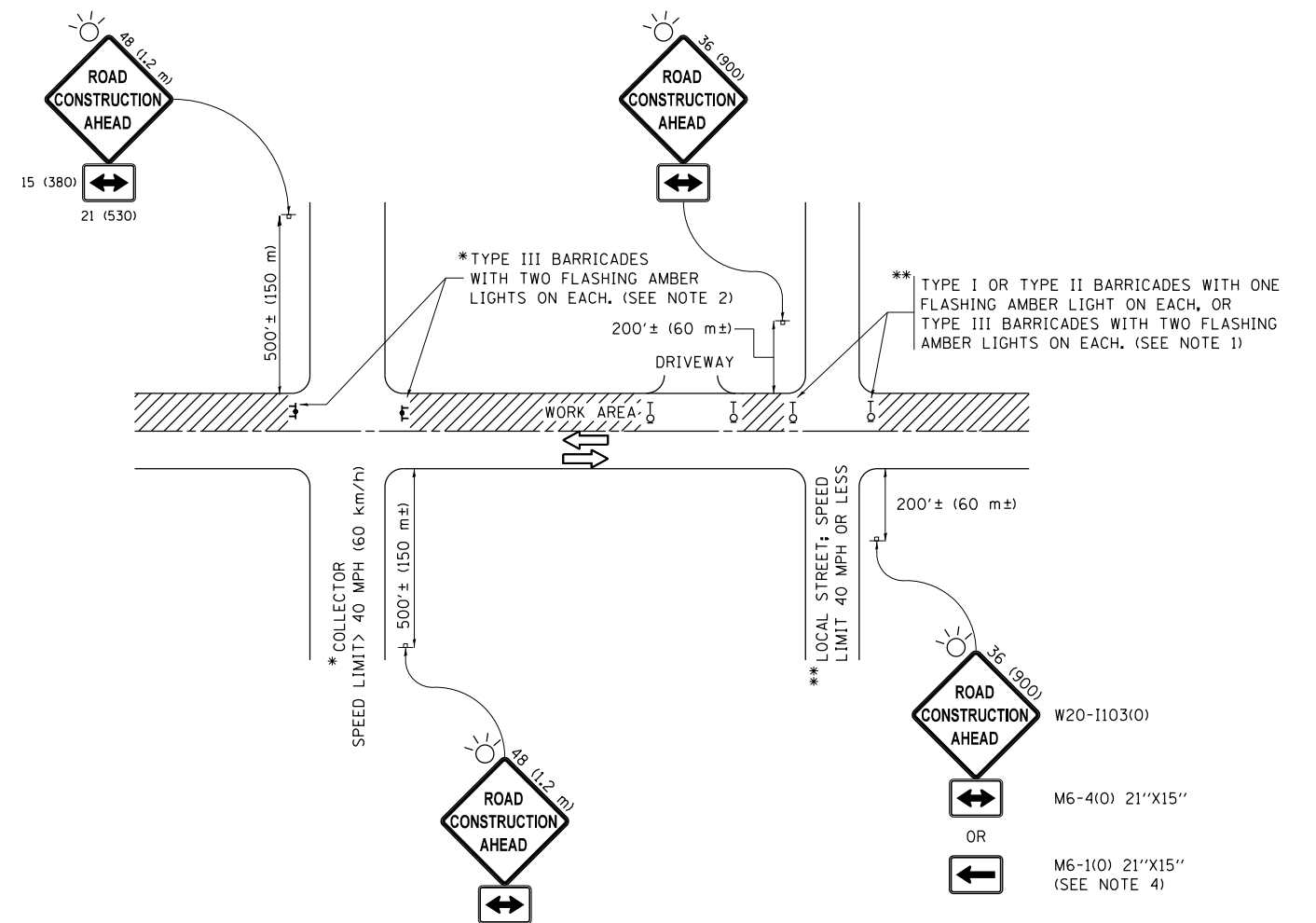
FILE NAME =	USER NAME = pyrzenowski	DESIGNED - D.W.S.	REVISED - S.P.B. 01-07
p:\1\084EBID\INTEG\illinois.gov\PIWIDOT\Documents\IDOT Offices\District 1\Projects\014486\Design\014486-sht-pln.dgn		CHECKED -	REVISED - S.P.B. 12-09
Default	PLOT SCALE = 100.0000' / 1in.	DATE - 02-83	REVISED - M.D. 06-13
	PLOT DATE = 5/8/2018		REVISED - M.D. 01-18

**STATE OF ILLINOIS
DEPARTMENT OF TRANSPORTATION**

**ENTRANCE AND EXIT RAMP
CLOSURE DETAILS**

SCALE: NONE SHEET 1 OF 1 SHEETS STA. TO STA.

F.A. RTE.	SECTION	COUNTY	TOTAL SHEETS	SHEET NO.
VAR.	2018-FNC-1	VARIOUS	29	27
TC-08		CONTRACT NO. 62G49		
ILLINOIS FED. AID PROJECT				



NOTES:

1. SIDE ROAD WITH A SPEED LIMIT OF 40 MPH (60 km/h) OR LESS AS SHOWN ON THE DRAWING AND AS DIRECTED BY THE ENGINEER:
 - a) ONE "ROAD CONSTRUCTION AHEAD" SIGN 36 x 36 (900x900) WITH A FLASHER MOUNTED ON IT APPROXIMATELY 200' (60 m) IN ADVANCE OF THE MAIN ROUTE.
 - b) THE CLOSED PORTION OF THE MAIN ROUTE SHALL BE PROTECTED BY BLOCKING WITH TYPE I, TYPE II OR TYPE III BARRICADES, 1/3 OF THE CROSS SECTION OF THE CLOSED PORTION.
2. SIDE ROAD WITH A SPEED LIMIT GREATER THAN 40 MPH (60 km/h) AS SHOWN ON THE DRAWING AND AS DIRECTED BY THE ENGINEER:
 - a) ONE "ROAD CONSTRUCTION AHEAD" SIGN 48 x 48 (1.2 m x 1.2 m) WITH A FLASHER MOUNTED ON IT APPROXIMATELY 500' (150 m) IN ADVANCE OF THE MAIN ROUTE.
 - b) THE CLOSED PORTION OF THE MAIN ROUTE SHALL BE PROTECTED BY BLOCKING WITH TYPE III BARRICADES, 1/2 OF THE CROSS SECTION OF THE CLOSED PORTION.
3. CONES MAY BE SUBSTITUTED FOR BARRICADES OR DRUMS AT HALF THE SPACING DURING DAY OPERATIONS. CONES SHALL BE A MINIMUM OF 28 (710) IN HEIGHT.
4. WHEN THE SIDE ROAD LIES BETWEEN THE BEGINNING OF THE MAINLINE SIGNING AND THE WORK ZONE, A SINGLE HEADED ARROW (M6-1) SHALL BE USED IN LIEU OF THE DOUBLE HEADED ARROW (M6-4).
5. WHEN WORK IS BEING PERFORMED ON A SIDE ROAD OR DRIVEWAY, FOLLOW THE APPLICABLE STANDARD(S). THE DIRECTIONAL ARROW (M6-1 OR M6-4) SHALL BE COVERED OR REMOVED WHEN NO LONGER CONSISTENT WITH THE TRAFFIC CONTROL SET-UP.
6. ADVANCE WARNING SIGNS ARE TO BE OMITTED ON DRIVEWAYS UNLESS OTHERWISE SPECIFIED IN THE PLANS OR BY THE ENGINEER.
7. THE TRAFFIC CONTROL AND PROTECTION FOR SIDE ROADS, INTERSECTIONS, AND DRIVEWAYS SHALL BE INCLUDED IN THE COST OF SPECIFIED TRAFFIC CONTROL STANDARDS OR ITEMS.

All dimensions are in inches (millimeters) unless otherwise shown.

FILE NAME =	USER NAME = pyrzenowski	DESIGNED - L.H.A.	REVISED - A. HOUSEH 10-15-96
pw:\11084EBIDINTEG.illinois.gov\PIWIDOT\Documents\IDOT Offices\District 1\Projects\1448\BROWNS\Browns\Design\144816-sh-t-plan.dgn			REVISED - T. RAMMACHER 01-06-00
Default	PLOT SCALE = 100.0000' / in.	CHECKED -	REVISED - A. SCHUETZE 07-01-13
	PLOT DATE = 5/8/2018	DATE - 06-89	REVISED - A. SCHUETZE 09-15-16

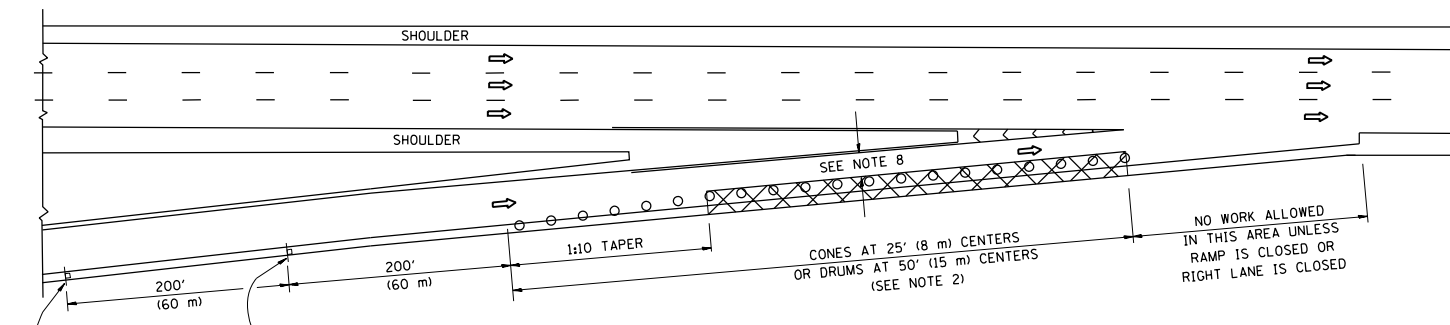
**STATE OF ILLINOIS
DEPARTMENT OF TRANSPORTATION**

**TRAFFIC CONTROL AND PROTECTION FOR
SIDE ROADS, INTERSECTIONS, AND DRIVEWAYS**

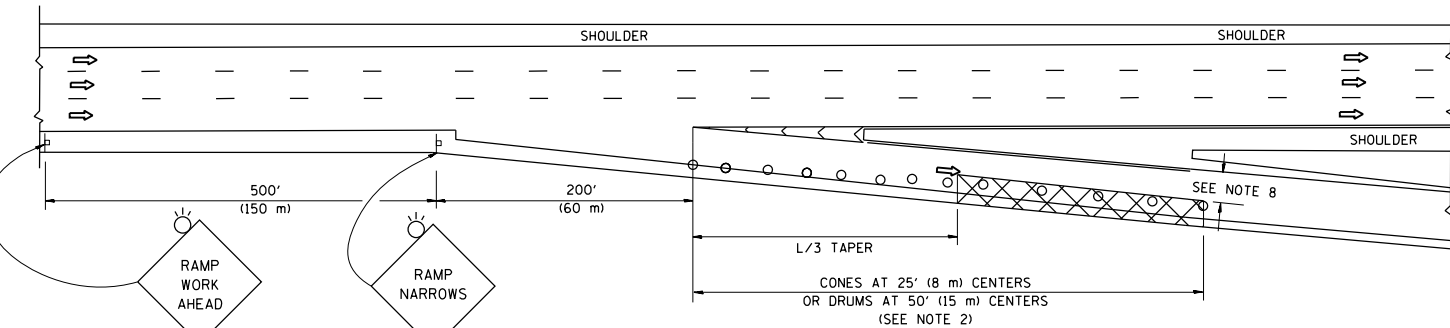
SCALE: NONE SHEET 1 OF 1 SHEETS STA. TO STA.

F.A. RTE.	SECTION	COUNTY	TOTAL SHEETS	SHEET NO.
VAR.	2018-FNC-1	VARIOUS	29	28
TC-10			CONTRACT NO. 62G49	
ILLINOIS FED. AID PROJECT				

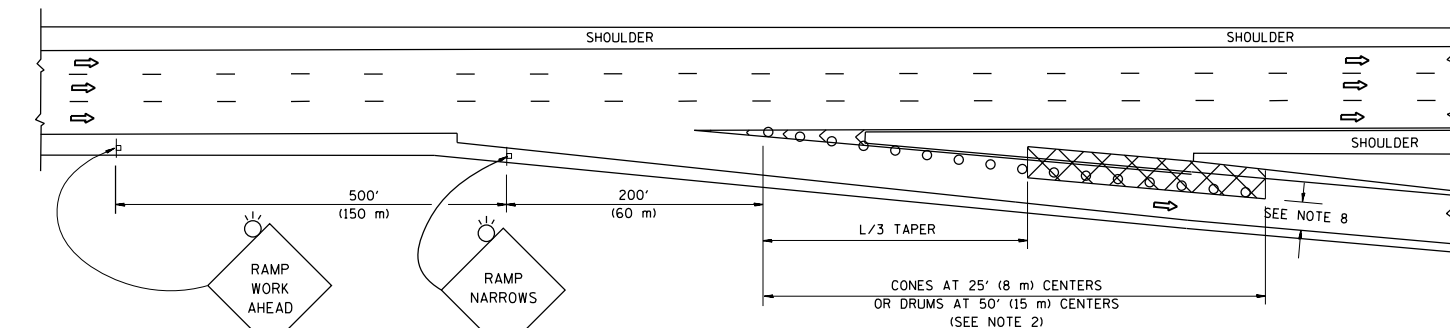
PARTIAL RAMP CLOSURE DETAILS



TYPICAL ENTRANCE RAMP



TYPICAL EXIT RAMP



TYPICAL EXIT RAMP

SYMBOLS

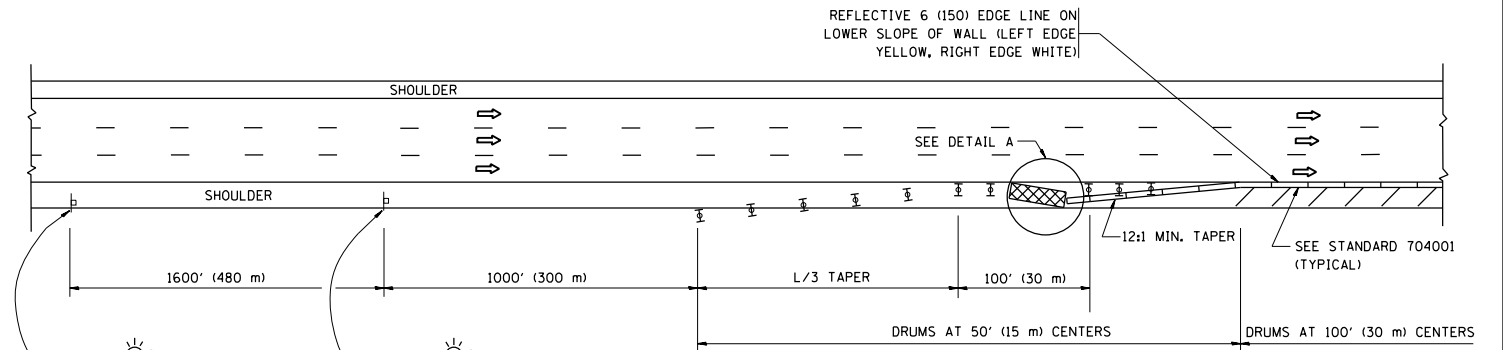
- ACTIVE WORK AREA
- SIGN ON PORTABLE OR PERMANENT SUPPORT
- FLAGGER WITH CONTROL SIGN
- TYPE II BARRICADE OR DRUM
- CONE, DRUM OR BARRICADE
- IMPACT ATTENUATOR OF TYPE AND TEST LEVEL SPECIFIED

GENERAL NOTES

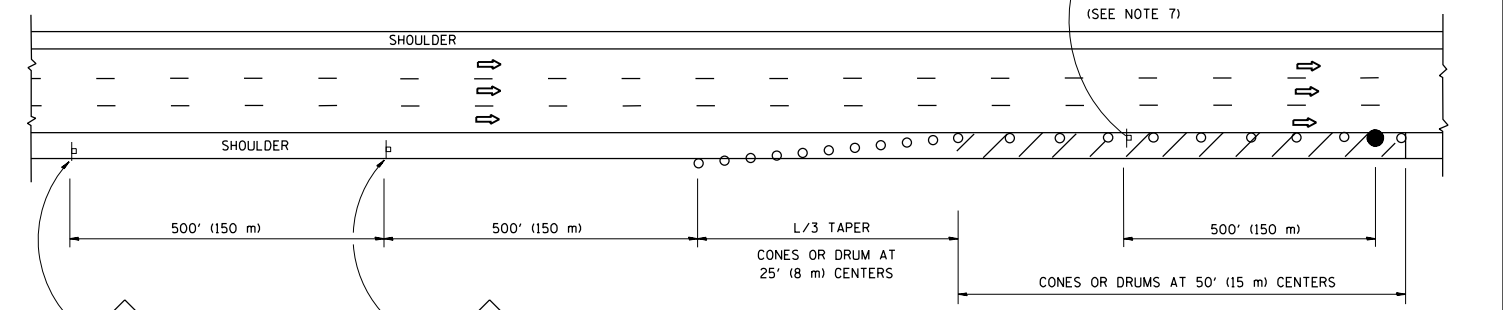
1. THE "L" DISTANCE EQUALS:

SPEED LIMIT	FORMULAS
45 mph (80 km/h) OR GREATER:	METRIC: $L=0.65(W)(S)$ ENGLISH: $L=(W)(S)$
	W = WIDTH OF OFFSET IN FEET (METERS)
	S = NORMAL POSTED SPEED MPH (KM/H)
2. TYPE II BARRICADES OR DRUMS ARE REQUIRED FOR ALL NIGHTTIME CLOSURES. TYPE II BARRICADES OR DRUMS WITH MONODIRECTIONAL STEADY BURN LIGHTS ARE REQUIRED FOR DELINEATING OBSTACLES, EXCAVATIONS, OR HAZARDS EXCEEDING 100 FT (30m) IN LENGTH AT NIGHT.
3. ALL SIGNS SHALL BE POST MOUNTED IF THE CLOSURE TIME EXCEEDS FOUR DAYS.
4. FLASHING LIGHTS SHALL BE USED DURING THE HOURS OF DARKNESS AND SHALL BE INSTALLED ABOVE THE FIRST TWO SETS OF SIGNS.

SHOULDER CLOSURE DETAILS

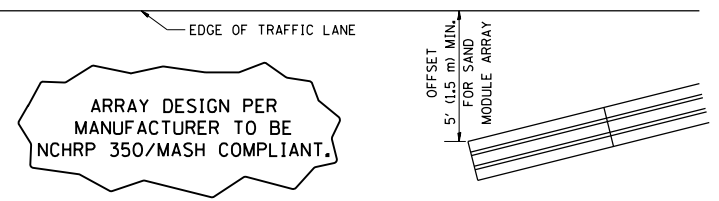


PERMANENT SHOULDER CLOSURE



DAYTIME SHOULDER CLOSURE

THIS DETAIL IS USED WHERE:
 1. VEHICLES, EQUIPMENT, WORKERS OR THEIR ACTIVITIES ENCRANCH IN AN AREA CLOSER THAN 15' (4.5 m) TO THE EDGE OF PAVEMENT FOR A PERIOD IN EXCESS OF 15 MINUTES.



DETAIL "A"
 IMPACT ATTENUATOR, TEMPORARY
 (SEE NOTE 5)

5. THE IMPACT ATTENUATOR, TEMPORARY IS NOT REQUIRED WHEN THE TEMPORARY CONCRETE BARRIER WALL IS PROTECTED BY OR IS TIED INTO THE EXISTING GUARDRAIL. IF OFFSET IS LESS THAN 5 FEET USE NARROW USE TYPE DEVICE TO MEET NCHRP350/MASH.
6. AUTHORIZATION FROM THE DISTRICT'S BUREAU OF TRAFFIC IS REQUIRED FOR ALL FREEWAY CLOSURES.
7. THE FLAGGER AND FLAGGER SIGN ARE REQUIRED AT THE ABOVE WORK SITES WHEN:
 - a. FOUR OR MORE WORK VEHICLES ENTER THE TRAFFIC LANES IN A ONE HOUR PERIOD.
 - b. THE WORK AVTIVITY REQUIRES FREQUENT ENCRACHMENT INTO THE LANE OPEN TO TRAFFIC.
 THE FLAGGER SHALL BE STATIONED APPROXIMATELY 100' (30 m) TO 200' (60 m) IN ADVANCE OF THE WORKERS.
8. 12' MIN. WIDTH TANGENT SECTION
 16' MIN. WIDTH CURVE SECTION.

ALL DIMENSIONS ARE IN INCHES (MILLIMETERS) UNLESS OTHERWISE SHOWN.

FILE NAME =	USER NAME = pyrzenowski	DESIGNED -	REVISED - S.P.B. 01-07	STATE OF ILLINOIS DEPARTMENT OF TRANSPORTATION	TRAFFIC CONTROL DETAILS FOR FREEWAY SHOULDER CLOSURES AND PARTIAL RAMP CLOSURES	F.A. RTE.	SECTION	COUNTY	TOTAL SHEETS	SHEET NO.	
pw:\IL\084EBIDINTEG\illinois.gov\PI\DOT\Documents\DOT Offices\District 1\Projects\01448\Drawings\Design\DWG\16-shr-pln.dgn	PLLOT SCALE = 100.0000' / 1in.	CHECKED -	REVISED - S.P.B. 12-09			VAR.	2018-FNC-1	VARIOUS	29	29	
Default	PLLOT DATE = 5/8/2018	DATE - 11-96	REVISED - M.D. 06-13			TC-17		CONTRACT NO. 62G49			
			REVISED - M.D. 01-18			SCALE: NONE	SHEET 1	OF 1 SHEETS	STA.	TO STA.	ILLINOIS FED. AID PROJECT