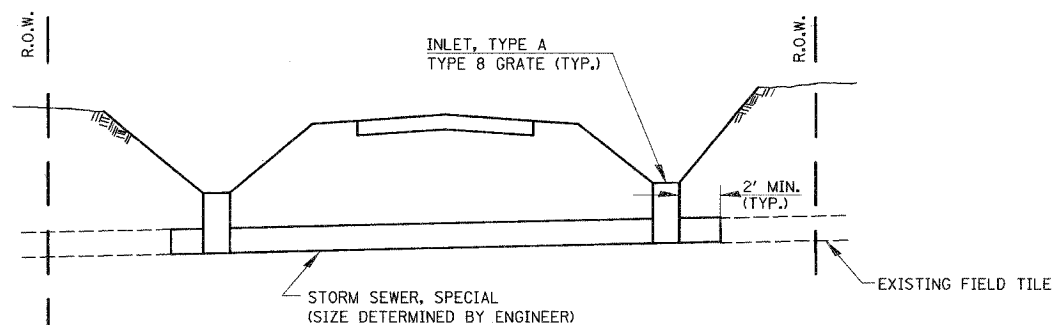


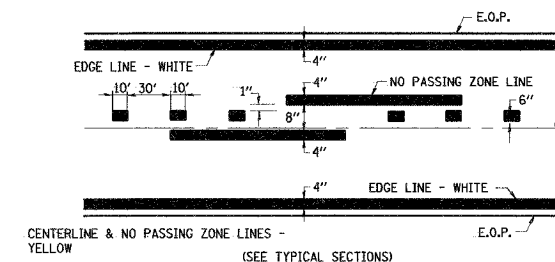
F.A.S. RTE.	SECTION	COUNTY	TOTAL SHEETS	SHEET NO.
1517 (2)RS-3 (3)RS-4		MCLEAN	223	107
STA.	TO STA.			
FED. ROAD DIST. NO.	ILLINOIS	FED. AID PROJECT		

66383

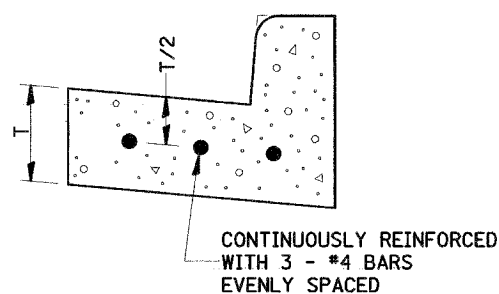


- NOTES:
1. EXACT LOCATION FOR FIELD TILE REPLACEMENT TO BE DETERMINED BY THE ENGINEER.
 2. EXISTING CATCH BASINS SHALL BE REMOVED.
 3. REMOVAL OF EXISTING FIELD TILE SHALL BE INCLUDED IN THE CONTRACT UNIT PRICE FOR STORM SEWER SPECIAL.

FIELD TILE REPLACEMENT (STA. 613 + 34)

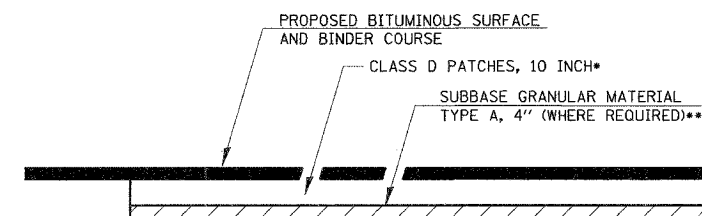


PAVEMENT MARKING



REINFORCEMENT SHALL NOT BE PAID FOR SEPARATELY BUT WILL BE INCLUDED IN THE CONTRACT UNIT PRICE FOR CC&G.

**REINFORCEMENT DETAIL
FOR
COMBINATION CONCRETE
CURB AND GUTTER
TYPE B-6.24**



- * SEE PATCHING SCHEDULE FOR LOCATIONS AND QUANTITIES.
- ** SUBBASE GRANULAR MATERIAL ONLY REQUIRED AT STORM SEWER, CULVERT, AND FIELD TILE LOCATIONS.

NOTE:
AT STORM SEWER, CULVERT, AND FIELD TILE LOCATIONS, THE PATCH SHALL EXTEND 5' BEYOND THE EDGE OF THE TRENCH ON EACH SIDE.

PAVEMENT PATCHING DETAIL

PLAN	DATE
SURVEYED	BY
ALIGNED	CHECKED
NOTE BOOK	NO.
CLASS FILE NAME	

PROFILE	DATE
SURVEYED	BY
GRADES CHECKED	CHECKED
NOTE BOOK	NO.
STRUCTURE NOTATIONS	CP/CS

COMPANY NAME: SEC, INC.
PROJECT CONTACT: TONY SIMONS
CLIENT: IDOT
7/1/2006 6:06:09 PM
T:\Jobs\Smith\2006\0602\4\cch\11r-crd\241.dwg

REVISED
7-17-06
SHEETS

ILLINOIS DEPARTMENT OF TRANSPORTATION
F.A.S. 1517 (U.S. ROUTE 150)
MISCELLANEOUS DETAILS

SCALE: VERT.
HORIZ.
DATE

DRAWN BY
CHECKED BY