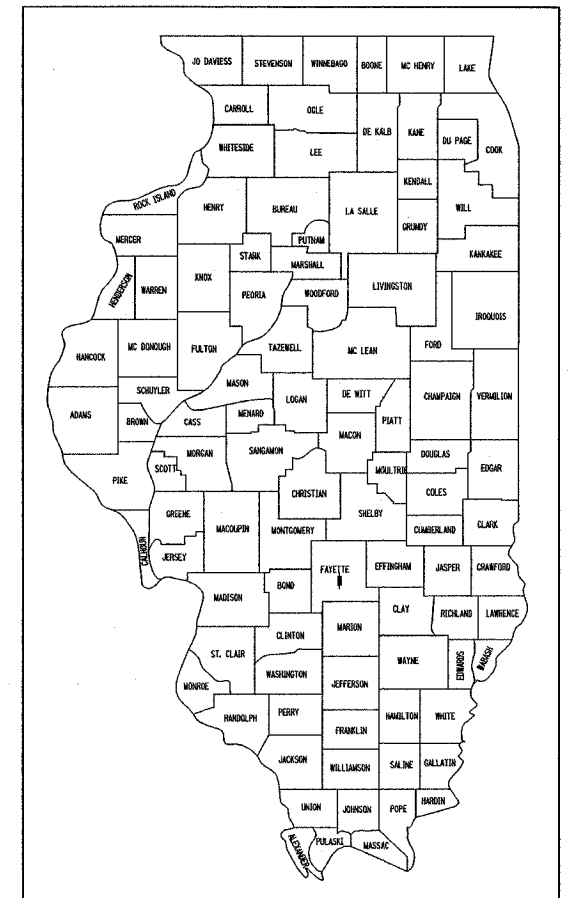


FOR INDEX OF SHEETS
AND STANDARDS,
SEE SHEET 2

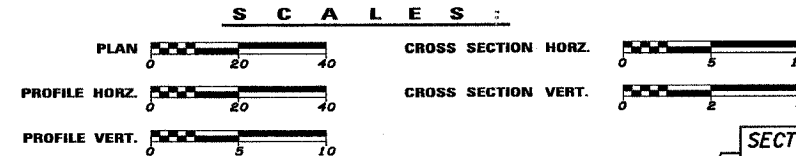
STATE OF ILLINOIS DEPARTMENT OF TRANSPORTATION PLANS FOR PROPOSED LOCAL AGENCY IMPROVEMENT FEDERAL - AID URBAN PROJECT

CITY OF VANDALIA
F.A.U. ROUTE 8435 (JOHNSON STREET)
SECTION 06-00054-00-PV
PROJECT NO. M-5068(06)
FAYETTE COUNTY
JOB NO. C-97-062-06

F.A.U. RTE.	SECTION	COUNTY	TOTAL SHEETS	SHEET NO.
8435	06-00054-00-PV	FAYETTE	21	1
FED. ROAD DIST. NO.	ILLINOIS	FED. AID PROJECT		
CONTRACT NO. 95483				



LOCATION OF SECTION INDICATED THIS: - [Symbol]



SECTION 06-00054-00-PV
ENDS AT STA. 16+00.00



SECTION 06-00054-00-PV
BEGINS AT STA. 11+56.50

LOCATION MAP

NET LENGTH OF IMPROVEMENT = 443.5 FEET OR 0.084 MILES

UTILITY COMPANIES

- CITY OF VANDALIA (WATER)
- CITY OF VANDALIA (SANITARY SEWER)
- AT&T (TELEPHONE)
- CHARTER COMMUNICATIONS (CABLE TV)
- AMEREN IP (ELECTRIC)
- ATMOS ENERGY (GAS)

ROADWAY DESIGNATION: URBAN COLLECTOR
DESIGN SPEED: 30 MPH
DESIGN YEAR: (2026) ADT: 1250

JOINT UTILITY INFORMATION FOR
EXCAVATIONS - JULIE PH. 800-892-0123

FULL SIZE PLANS HAVE BEEN PREPARED USING STANDARD
ENGINEERING SCALES. REDUCED SIZED PLANS WILL NOT
CONFORM TO STANDARD SCALES.

CONTRACT NO. 95483

APPROVED *[Signature]* 20 06
BOCK, J. GOTTMAN, MAYOR

PASSED *[Signature]* June 9 20 06
MAUREEN E. KASTL, P.E.
DISTRICT SEVEN ENGINEER OF LOCAL ROADS & STREETS

RELEASING FOR
BID BASED ON
LIMITED REVIEW *[Signature]* June 9 20 06
CHRISTINE M. REED, P.E.
DEPUTY DIRECTOR OF HIGHWAYS
REGION FOUR ENGINEER

STATE OF ILLINOIS
DEPARTMENT OF TRANSPORTATION

PREPARED BY:
HENRY, MEISENHEIMER & GENDE, INC.
ENGINEERS
CARLYLE, ILLINOIS 62231
(618) 594-3711



Butch Wilford W. Cheatham
"BUTCH" WILFORD W. CHEATHAM, P.E.
ILLINOIS REGISTERED ENGINEER NO. 062-054894
REGISTRATION EXPIRES NOV. 30, 2007

FILES: /4812/5721_Cover.dgn
PLOTTED: 5/8/2006

TAG: NO. 5721

F.A.U. RTE.	SECTION	COUNTY	TOTAL SHEETS	SHEET NO.
8435	06-00054-00-PV	FAYETTE	21	2
STA.		TO STA.		
FED. ROAD DIST. NO.		ILLINOIS FED. AID PROJECT		
CONTRACT NO. 95483				

INDEX OF SHEETS

- 1 COVER SHEET
- 2 INDEX OF SHEETS, STANDARDS AND GENERAL NOTES
- 3 SUMMARY OF QUANTITIES
- 4 TYPICAL SECTIONS
- 5-6 SCHEDULE OF QUANTITIES
- 7 ENTRANCE SCHEDULE & DETAILS
- 8 REMOVAL SHEET
- 9 PLAN & PROFILE
- 10 STORM SEWER PLAN & PROFILE
- 11 INTERSECTION DETAIL
- 12 MISCELLANEOUS DETAILS
- 13 TRAFFIC CONTROL PLAN
- 14-21 CROSS SECTIONS

UNDERGROUND UTILITIES ARE SHOWN IN ACCORDANCE WITH THE BEST AVAILABLE RECORDS, AND THEIR TRUE LOCATION IS NOT GUARANTEED TO BE AS SHOWN ON THE PLANS. THE CONTRACTOR SHALL BE RESPONSIBLE FOR PROTECTING UTILITY PROPERTY FROM CONSTRUCTION OPERATIONS AS OUTLINED IN ARTICLE 107.31 OF THE STANDARD SPECIFICATIONS. THE J.U.L.I.E. NUMBER IS 1-800-892-0123. A MINIMUM OF 48 HOURS ADVANCE NOTICE IS REQUIRED.

MEMBERS OF J.U.L.I.E. KNOWN TO BE WITHIN THE LIMITS OF THE IMPROVEMENT ARE:

AMEREN IP
 CONTACT PERSON: JOHN BARNFIELD
 HILLCREST ADDITION
 HILLSBORO, IL 62049
 PHONE: 217-462-0852

CITY OF VANDALIA
 CONTACT PERSON: JOHN MOYER
 219 SOUTH 5TH STREET
 VANDALIA, IL 62471
 PHONE: 618-283-1296

AT&T
 CONTACT PERSON: JERRY STRUBHART
 203 GOETHE STREET
 COLLINSVILLE, IL 62234
 PHONE: 618-346-6433

CHARTER COMMUNICATIONS
 CONTACT PERSON: LARRY HARMON
 11 CLEARING AVENUE
 TAYLORVILLE, IL 62568
 PHONE: 217-287-7992 EXT. 6010

ATMOS ENERGY
 CONTACT PERSON: LEE SMITH
 224 SOUTH 6TH STREET
 VANDALIA, IL 62471
 PHONE: 618-283-3190

THE CONTRACTOR SHALL EXERCISE CARE IN PERFORMING REMOVALS, SO AS NOT TO DISRUPT ADJOINING FEATURES THAT ARE TO REMAIN IN PLACE. ANY DAMAGE CAUSED TO ADJOINING FEATURES AS A RESULT OF THE CONTRACTOR'S NEGLIGENCE SHALL BE REPAIRED AT THE CONTRACTOR'S EXPENSE TO THE SATISFACTION OF THE ENGINEER.

THE CONTRACTOR SHALL BE RESPONSIBLE FOR ESTABLISHING POSITIVE DRAINAGE IN THE DISTURBED AREAS, TO THE SATISFACTION OF THE ENGINEER.

SEEDING SHALL BE PLACED ON ALL AREAS THAT ARE DISTURBED BY CONSTRUCTION OPERATIONS. NUTRIENTS AND EROSION CONTROL BLANKET SHALL BE APPLIED TO ALL SEEDING AREAS. THE SEEDING SHALL BE DONE ACCORDING TO ARTICLE 250 AND 251 OF THE STANDARD SPECIFICATIONS AND AS DIRECTED BY THE ENGINEER.

ALL DRILLING, SAWCUTTING, BARS, GROUTING AND EXPANSION JOINTS REQUIRED SHALL BE INCLUDED IN THE CONTRACT UNIT PRICE PER SQUARE YARD FOR PORTLAND CEMENT CONCRETE PAVEMENT, 6 1/2" (JOINTED).

THE CONTRACTOR SHALL EXERCISE CARE IN EXCAVATING AROUND EXISTING UTILITIES TO REMAIN IN PLACE AND SHALL BE RESPONSIBLE FOR REPAIR OF THESE AND MAINTENANCE OF SERVICE, IF DAMAGED BY THE CONTRACTOR'S ACTIVITIES, AS DEEMED SUCH BY THE ENGINEER.

THE FOLLOWING RATES OF APPLICATION HAVE BEEN USED IN CALCULATING PLAN QUANTITIES:

AGGREGATE MATERIALS	2.05 TONS/CU YD
	FOR SEEDED AREAS
NITROGEN FERTILIZER NUTRIENT	90 LBS/ACRE
PHOSPHORUS FERTILIZER NUTRIENT	90 LBS/ACRE
POTASSIUM FERTILIZER NUTRIENT	90 LBS/ACRE
AGRICULTURAL GROUND LIMESTONE	2 TONS/ACRE

STANDARDS

- 000001-04 STANDARD SYMBOLS, ABBREVIATIONS AND PATTERNS
- 280001-02 TEMPORARY EROSION CONTROL SYSTEMS
- 420001-06 PAVEMENT JOINTS
- 420101-03 7.2m (24') JOINTED PCC PAVEMENT
- 420106-03 10.8 m (36') JOINTED PCC PAVEMENT
- 420111-01 PCC PAVEMENT ROUNDOUTS
- 424001-04 CURB RAMPS FOR SIDEWALKS
- 442201-01 CLASS C AND D PATCHES
- 542606 REINFORCED CONCRETE PIPE TEE
- 602301-01 INLET - TYPE A
- 602306-01 INLET - TYPE B
- 602401-01 MANHOLE TYPE A
- 602601 PRECAST REINFORCED CONCRETE FLAT SLAB TOP
- 602701-01 MANHOLE STEPS
- 604001-02 FRAME AND LIDS TYPE 1
- 604006-02 FRAME AND GRATE TYPE 3
- 604011-02 FRAME AND GRATE TYPE 3V
- 606001-02 CONCRETE CURB TYPE B AND COMBINATION CONCRETE CURB AND GUTTER
- 701001-01 OFF-RD OPERATIONS, 2L, 2W, MORE THAN 4.5 m (15' AWAY)
- 701006-02 OFF-RD OPERATIONS, 2L, 2W, 4.5 m (15') TO 600 mm (24") FROM PAVEMENT EDGE
- 701011-01 OFF-RD MOVING OPERATIONS, 2L, 2W, DAY ONLY
- 701301-02 LANE CLOSURE 2L, 2W SHORT TIME OPERATIONS
- 701311-02 LANE CLOSURE 2L, 2W MOVING OPERATIONS - DAY ONLY
- 701501-03 URBAN LANE CLOSURE 2L, 2W UNDIVIDED
- 702001-06 TRAFFIC CONTROL DEVICES
- 780001-01 TYPICAL PAVEMENT MARKINGS

GENERAL NOTES

ALL ELEVATIONS REFER TO U.S.G.S. MEAN SEA LEVEL DATUM.

WHERE SECTION OR SUB-SECTION MONUMENTS ARE ENCOUNTERED, THE ENGINEER SHALL BE NOTIFIED BEFORE SUCH MONUMENTS ARE REMOVED. THE CONTRACTOR SHALL PROTECT AND CAREFULLY PRESERVE ALL PROPERTY MARKERS AND MONUMENTS UNTIL THE OWNER, AN AUTHORIZED SURVEYOR, OR AN AGENT HAS WITNESSED OR OTHERWISE REFERENCED THEIR LOCATION.

THE EXISTING ROAD SIGNS THAT INTERFERE WITH CONSTRUCTION WILL BE REMOVED OR RELOCATED AS DIRECTED BY THE ENGINEER. AFTER CONSTRUCTION IS COMPLETED, THE CONTRACTOR WILL REPLACE THE SIGNS AS DIRECTED BY THE ENGINEER. THIS WORK WILL NOT BE PAID SEPARATELY BUT SHALL BE INCLUDED IN THE COST OF THE CONTRACT AND NO COMPENSATION WILL BE ALLOWED.

ALL MANHOLE/INLET RELATED STATION/OFFSET CALLOUTS ARE REFERENCED TO THE CENTER OF GRATE OR LID (2' OPENING) ON TOP.

REVISIONS		DATE	DRAWN BY	CHECKED BY
NAME				

ILLINOIS DEPARTMENT OF TRANSPORTATION
 INDEX OF SHEETS,
 LIST OF STANDARDS
 AND
 GENERAL NOTES

SCALE: VERT. _____
 HORIZ. _____

CADD FILE: /4812/5721/LGN_STANDARDS.dgn
 PLOTTED: 5/5/2006

H.M. & G. NO. 5721

SUMMARY OF QUANTITIES

F.A. RT. NO.	SECTION	COUNTY	TOTAL SHEETS	SHEET NO.
8435	06-00054-00-PV	FAYETTE	21	3
STA.		TO STA.		
FED. ROAD DIST. NO.	ILLINOIS FED. AID PROJECT			
CONTRACT NO. 95483				

CODE NO.	ITEM	UNIT	URBAN - FAYETTE COUNTY		
			TOTAL QUANTITY	FEDERAL 80% CITY 20%	CITY 100%
				J000-2A	J000-2A
20100210	TREE REMOVAL (OVER 15 UNITS DIAMETER)	UNIT	24	24	
20200100	EARTH EXCAVATION	CU. YD.	281	281	
20800250	TRENCH BACKFILL, SPECIAL	CU. YD.	372	270	102
25000110	SEEDING, CLASS 1A	ACRE	0.2	0.2	
25000400	NITROGEN FERTILIZER NUTRIENT	POUND	19	19	
25000500	PHOSPHORUS FERTILIZER NUTRIENT	POUND	19	19	
25000600	POTASSIUM FERTILIZER NUTRIENT	POUND	19	19	
25000700	AGRICULTURAL GROUND LIMESTONE	TON	0.4	0.4	
25100630	EROSION CONTROL BLANKET	SQ. YD.	867	867	
28000250	TEMPORARY EROSION CONTROL SEEDING	POUND	20	20	
31100300	SUB-BASE GRANULAR MATERIAL, TYPE A 4"	SQ. YD.	1645	1645	
40200800	AGGREGATE SURFACE COURSE, TYPE B	TON	6	6	
42000111	PORTLAND CEMENT CONCRETE PAVEMENT 6 1/2" (JOINTED)	SQ. YD.	1370	1370	
42001300	PROTECTIVE COAT	SQ. YD.	2087	2087	
42300200	PORTLAND CEMENT CONCRETE DRIVEWAY PAVEMENT, 6 INCH	SQ. YD.	137	137	
42400100	PORTLAND CEMENT CONCRETE SIDEWALK 4 INCH	SQ. FT.	2056	2056	
42400800	DETECTABLE WARNINGS	SQ. FT.	74	74	
44000100	PAVEMENT REMOVAL	SQ. YD.	1385	1385	
44000200	DRIVEWAY PAVEMENT REMOVAL	SQ. YD.	81	81	
44000500	COMBINATION CURB AND GUTTER REMOVAL	FOOT	952	952	
44000600	SIDEWALK REMOVAL	SQ. FT.	2064	2064	
44201377	CLASS C PATCHES, TYPE II, 12 INCH	SQ. YD.	66	46	20
44201381	CLASS C PATCHES, TYPE III, 12 INCH	SQ. YD.	39		39
54216180	REINFORCED CONCRETE PIPE TEE, 12" PIPE WITH 12" RISER	EACH	1	1	
54216190	REINFORCED CONCRETE PIPE TEE, 18" PIPE WITH 12" RISER	EACH	1	1	
550A0340	STORM SEWERS, CLASS A, TYPE 2 12"	FOOT	170	170	
550A0360	STORM SEWERS, CLASS A, TYPE 2 15"	FOOT	193	193	
550A0380	STORM SEWERS, CLASS A, TYPE 2 18"	FOOT	205	205	
550A0410	STORM SEWERS, CLASS A, TYPE 2 24"	FOOT	73	73	
550B0040	STORM SEWERS, CLASS B, TYPE 1 10"	FOOT	30	30	
55100500	STORM SEWER REMOVAL 12"	FOOT	60	60	
60101805	PIPE DRAINS 8" (SPECIAL)	FOOT	35	35	
60218400	MANHOLES, TYPE A, 4' - DIAMETER, TYPE 1 FRAME, CLOSED LID	EACH	4	4	
60225400	RESTRICTED DEPTH MANHOLES, 5' - DIAMETER, TYPE 1 FRAME, CLOSED LID	EACH	1	1	
60228110	MANHOLES, SANITARY, 4' - DIAMETER, TYPE 1 FRAME, CLOSED LID	EACH	1		1
60235700	INLETS, TYPE A, TYPE 3 FRAME AND GRATE	EACH	1	1	
60240220	INLETS, TYPE B, TYPE 3 FRAME AND GRATE	EACH	1	1	
60500050	REMOVING CATCH BASINS	EACH	1	1	
60500060	REMOVING INLETS	EACH	1	1	
60500070	REMOVING MANHOLES TO MAINTAIN FLOW	EACH	1	1	
60500080	REMOVING CATCH BASINS TO MAINTAIN FLOW	EACH	1	1	
60604400	COMBINATION CONCRETE CURB AND GUTTER, TYPE B-6.18	FOOT	47	47	
60605000	COMBINATION CONCRETE CURB AND GUTTER, TYPE B-6.24	FOOT	1015	1015	
67100100	MOBILIZATION	L. SUM	1	1	
70101700	TRAFFIC CONTROL AND PROTECTION	L. SUM	1	1	
70102620	TRAFFIC CONTROL AND PROTECTION, STANDARD 701501	L. SUM	1	1	
78001110	PAINT PAVEMENT MARKING - LINE 4"	FOOT	80	80	
78001180	PAINT PAVEMENT MARKING - LINE 24"	FOOT	28	28	
Z0059800	SANITARY SEWER, TYPE 2 12"	FOOT	107		107
XX002998	RESTRICTED DEPTH MANHOLES, 4' - DIAMETER, TYPE 3V FRAME AND GRATE	EACH	1	1	
X0322033	STORM SEWER (WATER MAIN REQUIREMENTS) 12 INCH	FOOT	13	13	
X6020074	INLETS, TYPE A, TYPE 3V FRAME AND GRATE	EACH	4	4	
X6020075	INLETS, TYPE B, TYPE 3V FRAME AND GRATE	EACH	6	6	

* SPECIAL PROVISIONS
 Δ SPECIALTY ITEMS

REVISIONS	
NAME	DATE

ILLINOIS DEPARTMENT OF TRANSPORTATION

SUMMARY OF QUANTITIES

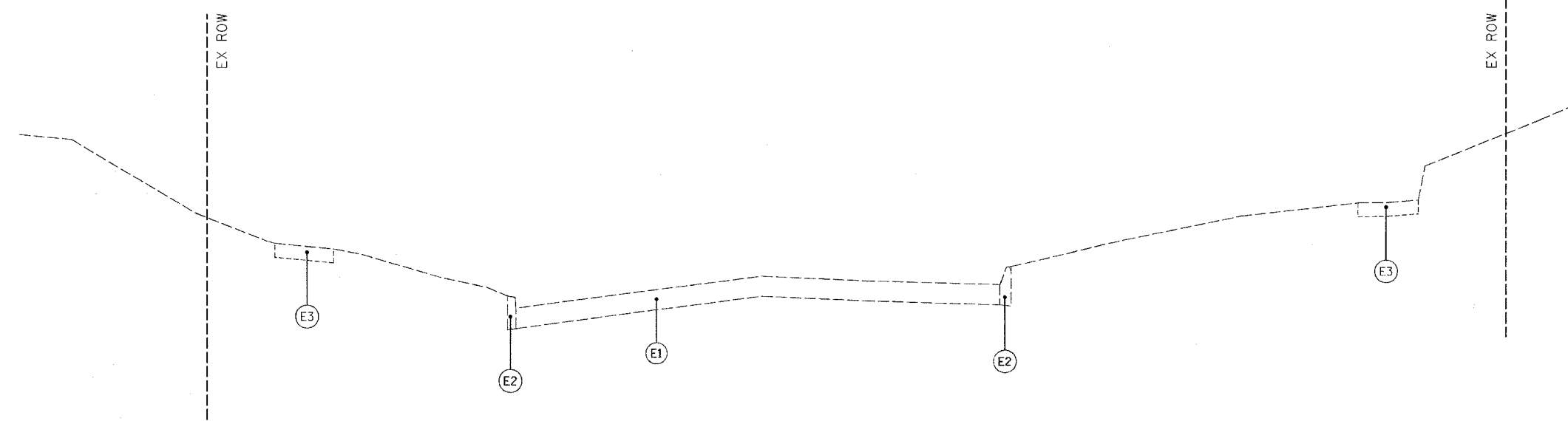
SCALE: VERT. DATE HORIZ. DATE

DRAWN BY CHECKED BY

CADD FILE: /4812/572LS0.dgn
 PLOTTED: 5/8/2006

F.A. IL RTE.	SECTION	COUNTY	TOTAL SHEETS	SHEET NO.
8435	06-00054-00-PV	FAYETTE	21	4
STA.	TO STA.			
FED. ROAD DIST. NO.	ILLINOIS	FED. AID PROJECT		

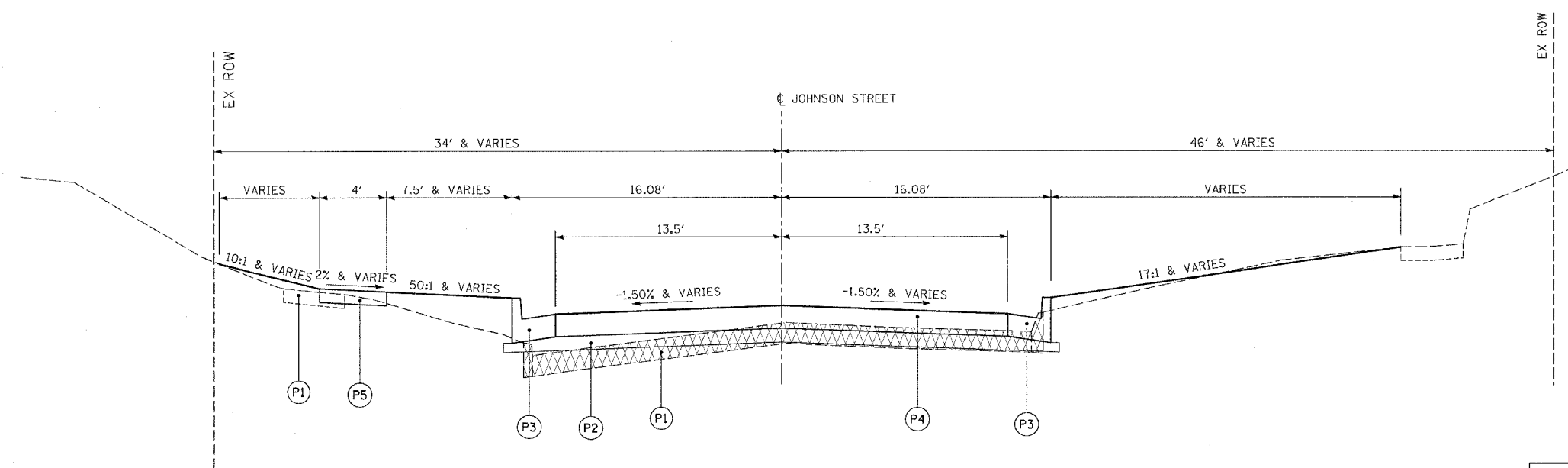
CONTRACT NO. 95483



EXISTING TYPICAL SECTION
STA. 12+10.93 TO STA. 16+00.00

- EXISTING TYPICAL SECTION LEGEND**
- (E1) EXISTING PCC PAVEMENT
 - (E2) EXISTING COMBINATION CURB AND GUTTER
 - (E3) EXISTING PCC SIDEWALK

PAVEMENT DESIGN INFORMATION
(IN ACCORDANCE WITH IDOT LOCAL ROADS, MECHANISTIC-BASED PAVEMENT DESIGN PROCEDURES FOR RIGID PAVEMENT)
STRUCTURAL DESIGN TRAFFIC:
DESIGN YEAR: 2016
DESIGN YEAR ADT: 1150
95.2% P.V., 4.3% S.U., 0.5% M.U.
ROAD/STREET CLASSIFICATION: CLASS III
TRAFFIC FACTOR = 0.005 USE MINIMUM OF 0.5
SUBGRADE SUPPORT RATING: POOR
PAVEMENT STRUCTURE MATERIALS: 6.5" NON-REINFORCED JOINTED P.C.C. PAVEMENT ON 4" AGGREGATE SUB-BASE, 13.5' MAXIMUM JOINT SPACING



PROPOSED TYPICAL SECTION
STA. 12+10.93 TO STA. 16+00.00

- PROPOSED TYPICAL SECTION LEGEND**
- (P1) PAVEMENT REMOVAL, SIDEWALK REMOVAL, AND OTHER REMOVALS DENOTED ELSEWHERE IN THE PLANS
 - (P2) SUBBASE GRANULAR MATERIAL, TYPE A, 4"
 - (P3) COMBINATION CONCRETE CURB AND GUTTER, TYPE B-6.24
 - (P4) PORTLAND CEMENT CONCRETE PAVEMENT, 6 1/2" (JOINTED)
 - (P5) PORTLAND CEMENT CONCRETE SIDEWALK, 4"

REVISIONS	
NAME	DATE

ILLINOIS DEPARTMENT OF TRANSPORTATION

TYPICAL SECTIONS

SCALE: VERT. NO SCALE
HORIZ. NO SCALE

DATE _____ DRAWN BY _____
CHECKED BY _____

CADD FILE: /4812/STELTS.DGN
PLOTTED: 5/5/2006

H.M. & G. NO. 5721

EARTHWORK SCHEDULE

LOCATION	COLUMN 1	COLUMN 2	COLUMN 3	COLUMN 4
	• EARTH EXCAVATION	EARTH EX. × SHRINKAGE FACTOR	EMBANKMENT	BALANCE (+) WASTE (-) BORROW
	CU. YD.	CU. YD.	CU. YD.	CU. YD.
JOHNSON STREET				
STA. 12+10.93 TO STA. 16+00.00	281	211	105	+106
TOTALS:	281	211	105	106

NOTES:

INCLUDES ENTRANCE EARTHWORK.

• = PAY ITEM

COLUMN 1 = MATERIAL EXCAVATED, INCLUDING EARTH AND EXISTING AGGREGATE SUBBASE.

COLUMN 2 = COL. 1 × 0.75.

COLUMN 3 = MATERIAL REQUIRED FOR FILL. SUITABLE MATERIAL FROM EARTH EXCAVATION.

COLUMN 4 = COLUMN 2 - COLUMN 3.

COMBINATION CONCRETE CURB AND GUTTER

LOCATION	COMBINATION CONCRETE CURB & GUTTER TYPE B - 6.18	COMBINATION CONCRETE CURB & GUTTER TYPE B - 6.24	• PROTECTIVE COAT	COMBINATION CURB AND GUTTER REMOVAL
	FOOT	FOOT	SQ. YD.	FOOT
	JOHNSON STREET			
LT. STA. 11+56.5 TO LT. STA. 11+63.5	7		-	7
RT. STA. 11+56.5 TO RT. STA. 11+84.5	40		-	40
LT. STA. 12+13.5 TO LT. STA. 15+80.0		420	-	
LT. STA. 12+14 TO LT. STA. 14+30				232
RT. STA. 12+14 TO RT. STA. 15+80				415
RT. STA. 12+14.5 TO RT. STA. 15+80		404	-	
LT. STA. 15+05 TO LT. STA. 15+80				120
ENTRANCES				
LT. STA. 12+67.7 TO LT. STA. 12+99.7		26	-	
RT. STA. 13+29.0 TO RT. STA. 13+71.0		58	-	
RT. STA. 13+49.95				46
LT. STA. 14+24.3 TO LT. STA. 15+14.0		18	-	
ALLEYS				
LT. STA. 13+78.6 TO LT. STA. 14+20.6		31	-	
RT. STA. 13+78.6 TO RT. STA. 14+20.6		58	-	
LT. STA. 13+99.84				40
RT. STA. 13+99.84				52
TOTAL	47	1015	351	952

• TOTAL CURB SURFACE AREA

PORTLAND CEMENT CONCRETE SIDEWALK, 4 INCH

LOCATION	SQ. FT.	• PROTECTIVE COAT	DETECTABLE WARNINGS
		SQ. YD.	SQ. FT.
JOHNSON STREET			
RT. STA. 11+70.65	88.0	-	10
RT. STA. 12+15.83 TO RT. STA. 12+31.93	62.0	-	8
LT. STA. 12+17.01 TO LT. STA. 12+77.74	238.0	-	8
LT. STA. 12+32.56	86.0	-	8
RT. STA. 12+33.85	70.0	-	8
LT. STA. 12+89.74 TO LT. STA. 13+93.39	414.0	-	-
LT. STA. 13+44.88	7.0	-	-
LT. STA. 13+64.48	16.0	-	-
LT. STA. 14+05.70 TO LT. STA. 14+31.97	116.0	-	-
RT. STA. 14+07.14	13.0	-	-
LT. STA. 15+49.93 TO LT. STA. 15+79.26	880.0	-	16
RT. STA. 15+65.95	35.0	-	8
RT. STA. 15+68.08 TO RT. STA. 15+76.8	31.0	-	8
TOTAL	2056	229	74

• TOTAL SIDEWALK AREA × 1/9

CLASS C PATCHES

LOCATION	WIDTH	LENGTH	CLASS C PATCHES, TYPE II, 12 INCH	CLASS C PATCHES, TYPE III, 12 INCH
	FOOT	FOOT	SQ. YD.	SQ. YD.
STORM SEWER				
LT. STA. 11+60	16.5	7.0	12.8	
RT. STA. 11+60	16.5	7.0	12.8	
RT. STA. 11+92	7.0	14.0	10.9	
RT. STA. 12+05	7.0	12.5	9.7	
SANITARY SEWER				
LT. STA. 11+83	25.0	7.0		19.4
RT. STA. 11+83	25.0	7.0		19.4
LT. STA. 11+92	7.0	12.5	9.7	
LT. STA. 12+05	7.0	12.5	9.7	
TOTALS			66	39

PAVEMENT REMOVAL

LOCATION	TYPE	EXISTING SURFACE MATERIAL	PAVEMENT REMOVAL	DRIVEWAY PAVEMENT REMOVAL
			SQ. YD.	SQ. YD.
			JOHNSON STREET	
LT. STA. 12+10.93 TO LT. STA. 16+00.00		CONC.	1346	
LT. STA. 12+83.74	P.E.	BIT.		14
RT. STA. 13+49.95	P.E.	CONC.		23
LT. STA. 13+99.84	ALLEY	BIT.	15	
LT. STA. 13+99.84	ALLEY	BIT.	24	
LT. STA. 14+40.43	C.E.	CONC.		16
LT. STA. 14+85.76	C.E.	CONC.		28
TOTAL			1385	81

SIDEWALK REMOVAL

LOCATION	SIDEWALK REMOVAL
	SQ. FT.
JOHNSON STREET	
RT. STA. 11+71	85
RT. STA. 12+15 TO RT. STA. 12+32	73
LT. STA. 12+16 TO LT. STA. 13+93	760
RT. STA. 12+34	92
RT. STA. 13+94 TO RT. STA. 14+08	27
LT. STA. 14+06 TO LT. STA. 14+28	88
LT. STA. 15+50 TO LT. STA. 15+79	859
RT. STA. 15+66	36
RT. STA. 15+68 TO RT. STA. 15+79	44
TOTAL	2064

TREE REMOVAL

LOCATION	TREE REMOVAL (OVER 15 UNITS) UNIT
JOHNSON STREET	
STA. 12+45.93, 20.11' LT	24
TOTAL	24

REVISIONS	
NAME	DATE

ILLINOIS DEPARTMENT OF TRANSPORTATION

SCHEDULE OF QUANTITIES

SCALE: VERT. HORIZ. DATE

DRAWN BY CHECKED BY

STORM SEWER SCHEDULE

LOCATION	TRENCH BACKFILL	STORM SEWER REMOVAL	REMOVING MANHOLES TO MAINTAIN FLOW	REMOVING CATCH BASINS	REMOVING INLETS	REMOVING CATCH BASINS TO MAINTAIN FLOW	STORM SEWER						SANITARY SEWER	PIPE DRAINS 8" (SPECIAL)	REINFORCED CONCRETE PIPE TEE		INLETS				MANHOLES				
							CLASS A				CLASS B	WATERMAIN			TYPE 2	12" PIPE 12" RISER	18" PIPE 12" RISER	TYPE A	TYPE A	TYPE B	TYPE B	4' - DIA. TYPE 1 F & CL	5' - DIA. TYPE 1 F & CL	4' - DIA. TYPE 3V F & CL	4' - DIA. TYPE 1 F & CL
							TYPE 2		TYPE 1	REQUIREMENTS	TYPE 2	TYPE 3			TYPE 3V			TYPE 3	TYPE 3V						
							12"	15"	18"	24"	10"	12"			12"	F & G	F & G	F & G	F & G	F & CL	F & CL	F & G	F & CL		
CU. YD.	FOOT	EACH	EACH	EACH	EACH	FOOT	FOOT	FOOT	FOOT	FOOT	FOOT	FOOT	EACH	EACH	EACH	EACH	EACH	EACH	EACH	EACH					
JOHNSON STREET																									
LT. STA. 11+60.00 TO RT. STA. 11+60.00	35.0						35													2					
RT. STA. 11+60.00 TO RT. STA. 11+84.08	33.0						28													1					
RT. STA. 11+83.00 TO LT. STA. 11+83.00	50.5											53													1
LT. STA. 11+83.00 TO LT. STA. 12+37.00	51.5											54													
RT. STA. 11+84.08 TO RT. STA. 12+18.30	41.0							34												1					
RT. STA. 11+84.49, 32'						1																			
RT. STA. 12+18.30 TO RT. STA. 12+47.00	33.7							31													1				
RT. STA. 12+47.00 TO RT. STA. 13+75.00								128													1				
RT. STA. 12+96.00, 19.50'													10												
LT. STA. 13+75.00 TO RT. STA. 13+75.00	9.4							35													1				
RT. STA. 13+75.00 TO RT. STA. 15+28.00										153												1			
LT. STA. 14+20.70, 14.62'	7.1					1																			
RT. STA. 15+15.00 TO RT. STA. 15+15.00	1.1						5																		
LT. STA. 15+15.00 TO LT. STA. 15+28.00	3.2																								
LT. STA. 15+28.00 TO RT. STA. 15+28.00	11.6							35																	
RT. STA. 15+28.00 TO RT. STA. 15+80.38	5.2																								
LT. STA. 15+70.20 TO RT. STA. 15+78.95	13.3	60																							
LT. STA. 15+73.25, 59.26'						1																			
LT. STA. 15+65.00, 37.67'	3.5																								
RT. STA. 15+78.95, 22.74'						1																			
RT. STA. 15+80.37 TO RT. STA. 15+80.38	8.6						32																		
RT. STA. 15+80.38 TO LT. STA. 15+80.44	58.8																								
LT. STA. 15+80.44 TO LT. STA. 15+73.25	5.3																								
TOTAL	371.8	60	1	1	1	1	170	193	205	73	30	13	107	35	1	1	1	4	1	6	4	1	1	1	1

PAVEMENT MARKING SCHEDULE

LOCATION	TYPE	PAINT	
		4" YELLOW FOOT	12" WHITE FOOT
JOHNSON STREET			
STA. 12+40.00 TO STA. 15+58.00	YELLOW - CENTERLINE - SKIP DASH	79.5	
STA. 12+40.00	WHITE - STOP BAR		13.5
STA. 15+58.00	WHITE - STOP BAR		14.5
TOTAL		80	28

SEEDING AND EROSION CONTROL

LOCATION	SEEDING CLASS 1A	NITROGEN FERTILIZER NUTRIENT	PHOSPHORUS FERTILIZER NUTRIENT	POTASSIUM FERTILIZER NUTRIENT	AGRICULTURAL GROUND LIMESTONE	EROSION CONTROL BLANKET	TEMPORARY EROSION CONTROL SEEDINGS
	ACRE	POUND	POUND	POUND	TON	SQ. YD.	POUND
	JOHNSON STREET						
RT. STA. 11+56.5 TO RT. STA. 11+83.7	0.01	1	1	1	0.02	29	1
RT. STA. 12+14.9 TO RT. STA. 15+79.4	0.13	12	12	12	0.26	573	13
LT. STA. 12+14.2 TO LT. STA. 15+50.0	0.06	6	6	6	0.12	265	6
TOTALS	0.2	19	19	19	0.4	867	20

PAVING SCHEDULE

LOCATION	SUBBASE GRANULAR MATERIAL, TYPE A, 4"	PORTLAND CEMENT CONCRETE PAVEMENT 6.5" (JOINTED)	PROTECTIVE COAT
	SQ. YD.	SQ. YD.	SQ. YD.
JOHNSON STREET			
STA. 12+10.93 - STA. 16+00.00	1484.0	1370.0	-
TOTALS	1484	1370	1370

* TOTAL PCC PAVEMENT SURFACE AREA

REVISIONS	
NAME	DATE

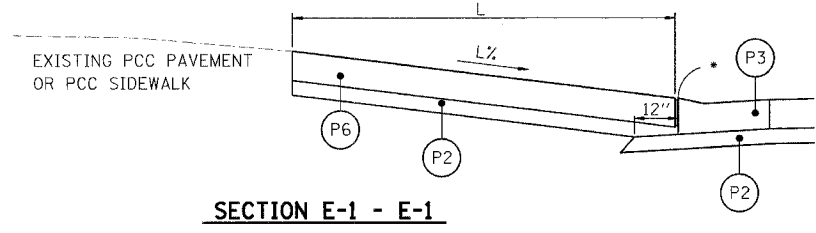
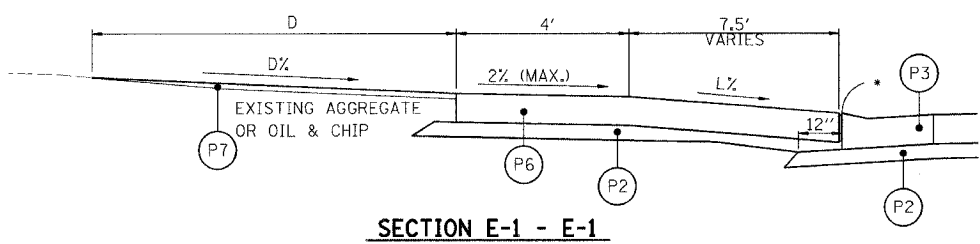
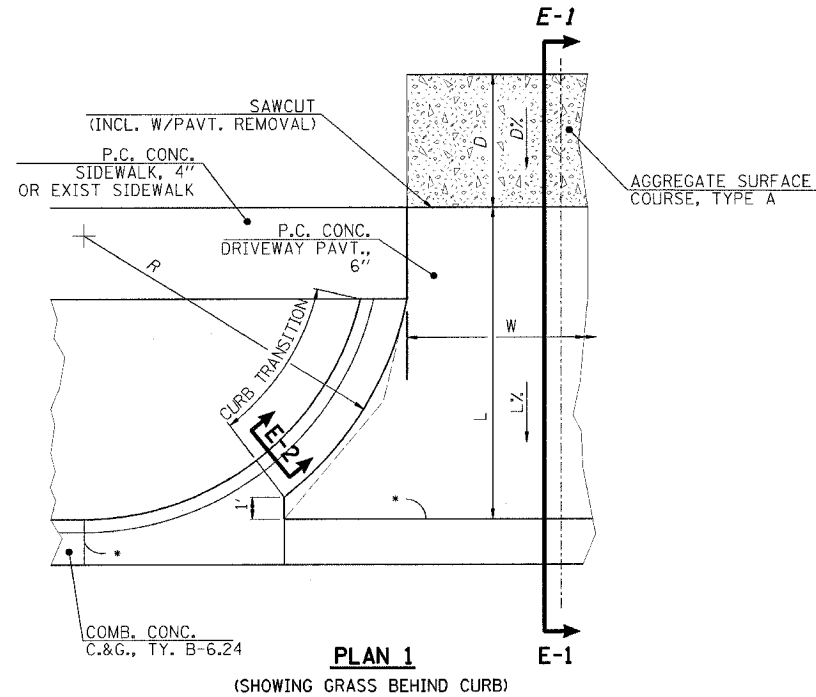
ILLINOIS DEPARTMENT OF TRANSPORTATION

SCHEDULE OF QUANTITIES

SCALE: VERT. HORIZ. DATE

DRAWN BY CHECKED BY

F.A. ILL. RTE.	SECTION	COUNTY	TOTAL SHEETS	SHEET NO.
8435	06-00054-00-PV	FAYETTE	21	7
STA.	TO STA.			
FED. ROAD DIST. NO.	ILLINOIS FED. AID PROJECT			
CONTRACT NO. 95483				

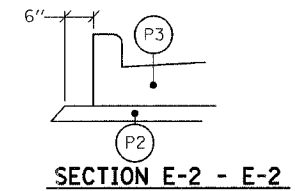


ENTRANCE SCHEDULE

LOCATION	TYPE	R (FT)	L (FT)	LX (%)	D (FT)	DZ (%)	W (FT)	P.C. CONC. DRIVEWAY PAVEMENT, 6"	PROTECTIVE COAT	SUB-BASE GRAN. MATERIAL, TYPE A, 4"	AGGREGATE SURFACE COURSE TYPE B
								(SY)	(SY)	(SY)	(TON)
JOHNSON STREET											
LT. STA. 12+83.74	P.E.	15	11.5	5.4	6.0	0.8	12.0	21	21	24	2
RT. STA. 13+49.95	P.E.	15	20.8	7.2	-	-	12.0	33	33	38	-
LT. STA. 13+99.84	ALLEY	15	11.5	0.7	6.0	-6.6	12.0	21	21	24	2
RT. STA. 13+99.84	ALLEY	15	25.1	9.4	6.0	6.7	12.0	39	39	44	2
LT. STA. 14+40.43	C.E.	10	3.4	-8.8	-	-	19.4	8	8	11	-
LT. STA. 14+85.76	C.E.	15	3.4	2.5	-	-	37.3	15	15	20	-
TOTALS								137	137	161	6

SECTION LEGEND

- (P2) SUBBASE GRANULAR MATERIAL, TYPE A, 4"
- (P3) COMBINATION CONCRETE CURB AND GUTTER, TYPE B-6.24
- (P6) PORTLAND CEMENT CONCRETE DRIVEWAY PAVEMENT, 6"
- (P7) AGGREGATE SURFACE COURSE, TYPE B
- * 1" EXPANSION JOINTS PER STANDARD SPECIFICATIONS



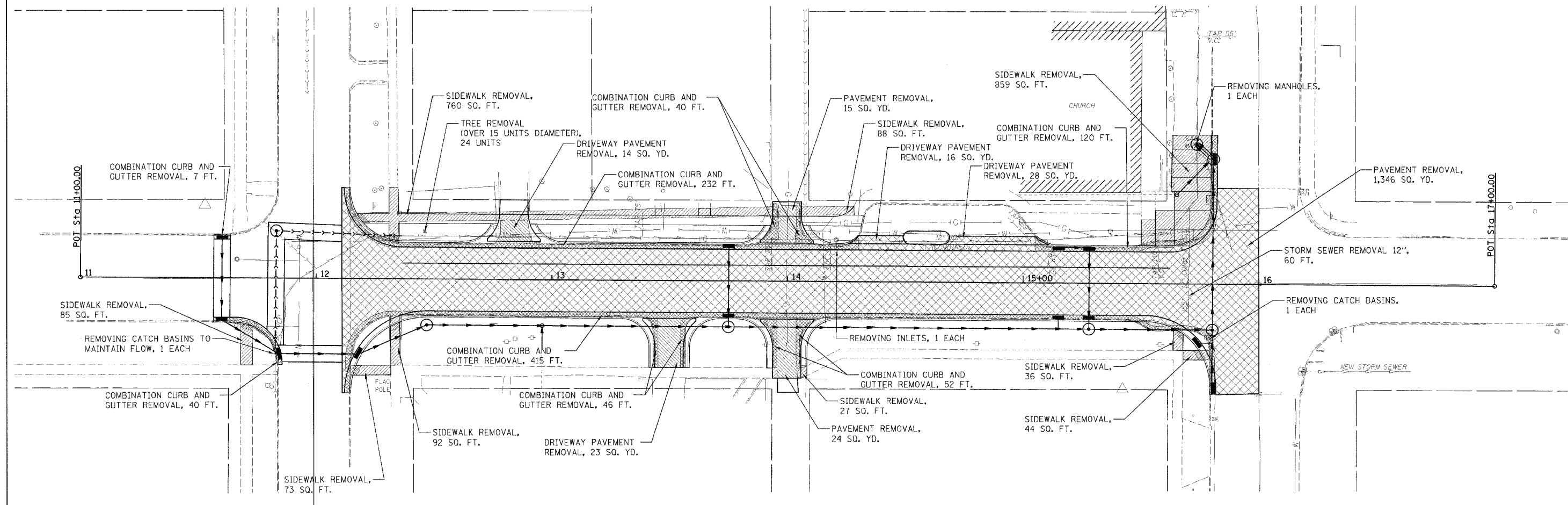
REVISIONS		ILLINOIS DEPARTMENT OF TRANSPORTATION
NAME	DATE	
		ALLEY & ENTRANCE DETAILS & SCHEDULE
SCALE:	VERT. HORIZ.	DRAWN BY
DATE		CHECKED BY





CADD FILE: /4812/5721/Entr.dgn
PLOTTED: 5/21/2006

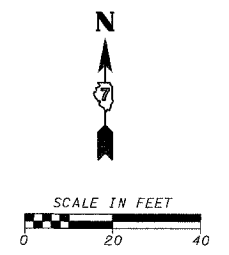
H.M. & G. NO. 5721

F.A.L. RTE.	SECTION	COUNTY	TOTAL SHEETS	SHEET NO.
8435	06-00054-00-PV	FAYETTE	21	8
STA.	TO STA.			
FED. ROAD DIST. NO.	ILLINOIS	FED. AID PROJECT		

CONTRACT NO. 95483



-  PAVEMENT REMOVAL
-  SIDEWALK REMOVAL
-  DRIVEWAY PAVEMENT REMOVAL
-  COMBINATION CONCRETE CURB & GUTTER REMOVAL



REVISIONS		ILLINOIS DEPARTMENT OF TRANSPORTATION
NAME	DATE	
		REMOVAL
SCALE:	VERT. HORIZ.	DRAWN BY CHECKED BY
DATE		

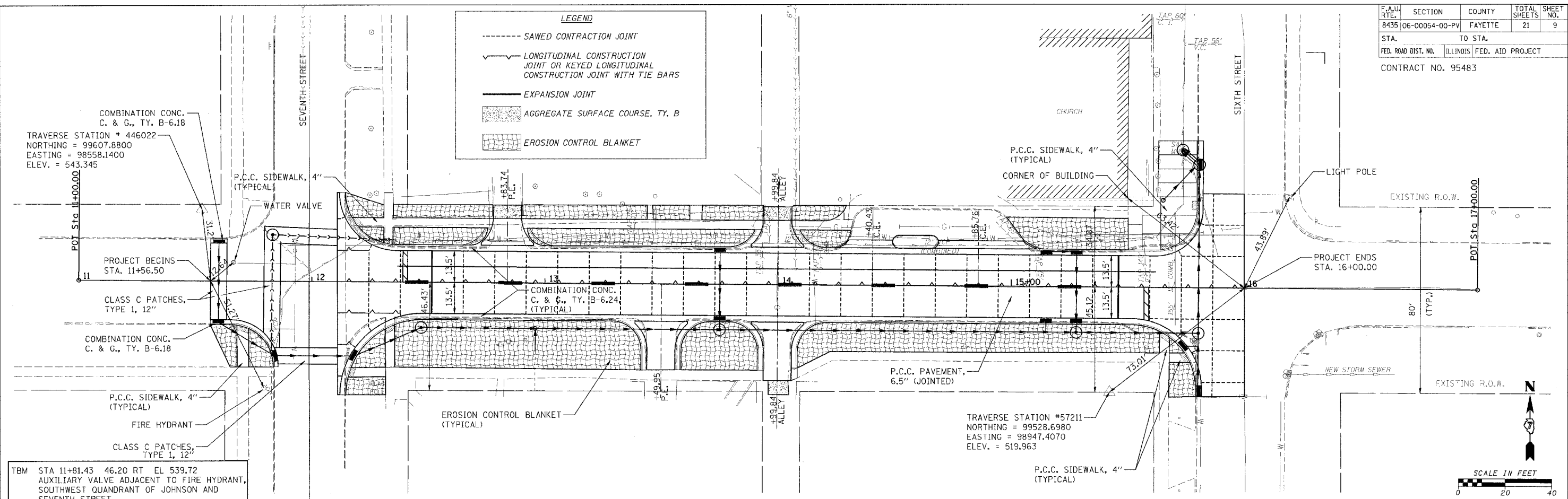
CADD FILE: /4812/572L/removal.dgn
PLOTTED: 5/11/2006

H.M. & G. NO. 5721

F.A.U. RTE.	SECTION	COUNTY	TOTAL SHEETS	SHEET NO.
8435	06-00054-00-PV	FAYETTE	21	9
STA.	TO STA.			
FED. ROAD DIST. NO.	ILLINOIS	FED. AID PROJECT		
CONTRACT NO. 95483				

LEGEND

- SAWED CONTRACTION JOINT
- ~ LONGITUDINAL CONSTRUCTION JOINT OR KEYED LONGITUDINAL CONSTRUCTION JOINT WITH TIE BARS
- EXPANSION JOINT
- AGGREGATE SURFACE COURSE, TY. B
- EROSION CONTROL BLANKET



TRaverse Station # 446022
 NORTHING = 99607.8800
 EASTING = 98558.1400
 ELEV. = 543.345

POT Sta 11+00.00

PROJECT BEGINS STA. 11+56.50

CLASS C PATCHES, TYPE 1, 12"

COMBINATION CONC. C. & G., TY. B-6.18

P.C.C. SIDEWALK, 4" (TYPICAL)

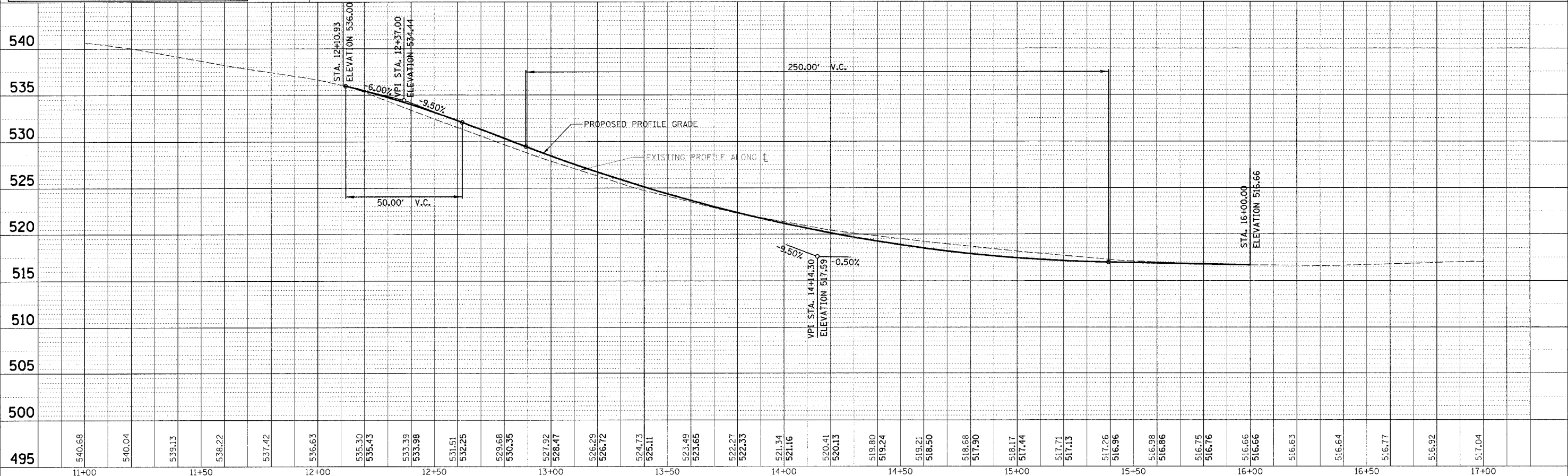
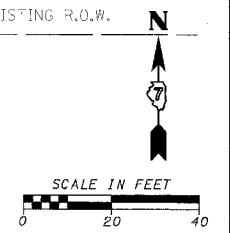
WATER VALVE

FIRE HYDRANT

CLASS C PATCHES, TYPE 1, 12"

TBM STA 11+81.43 46.20 RT EL 539.72
 AUXILIARY VALVE ADJACENT TO FIRE HYDRANT, SOUTHWEST QUADRANT OF JOHNSON AND SEVENTH STREET

TRaverse Station #57211
 NORTHING = 99528.6980
 EASTING = 98947.4070
 ELEV. = 519.963



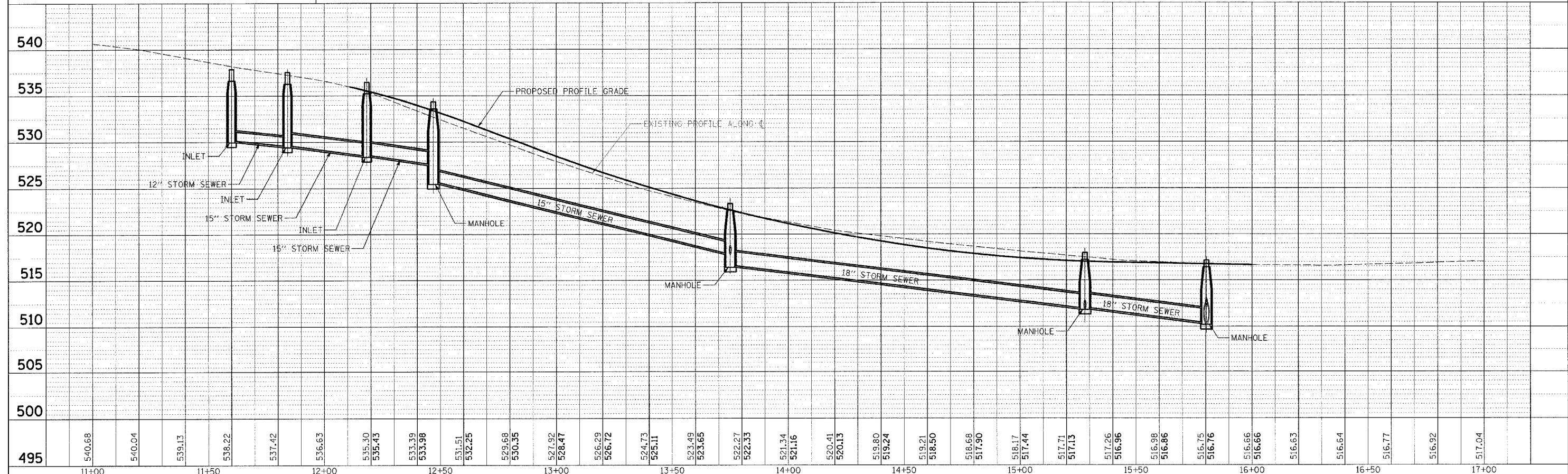
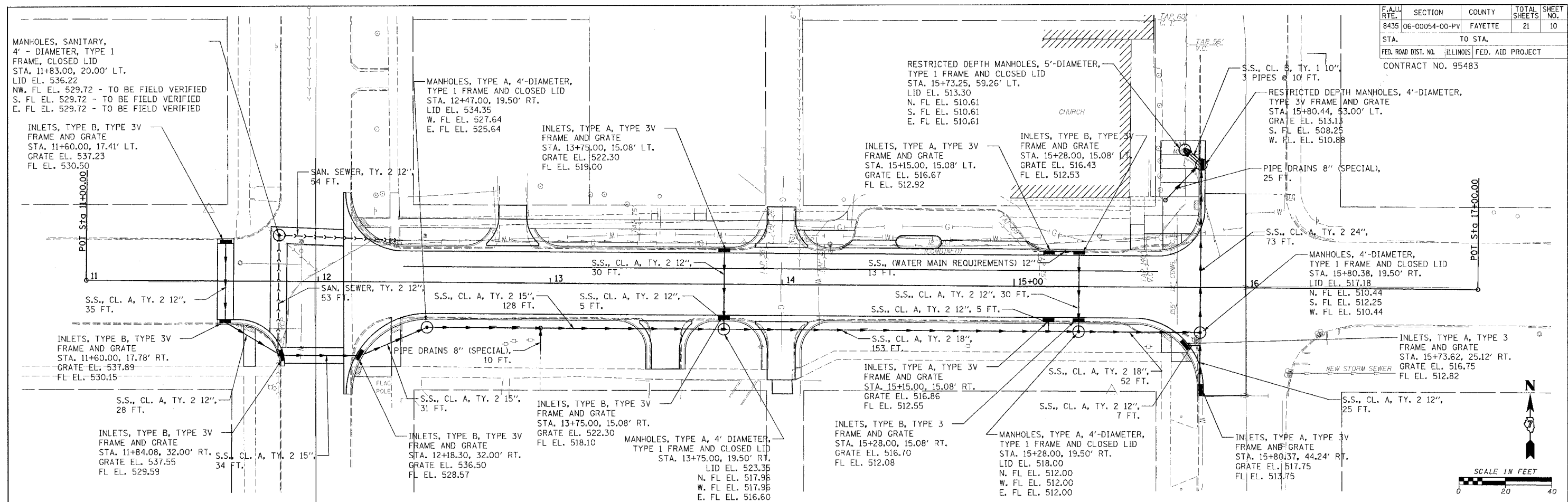
PLAN & PROFILE - STA. 11+56.50 - STA. 16+00.00 - F.A.U. 8435 (JOHNSON ST.)

DATE	BY	CHKD

DATE	BY	CHKD

CADD FILE: /MB12/5721/PP-09n
 PLOTTED: 5/11/2006

F.A.U. RTE.	SECTION	COUNTY	TOTAL SHEETS	SHEET NO.
8435	06-00054-00-PV	FAYETTE	21	10
STA. TO STA.		FED. ROAD DIST. NO. ILLINOIS FED. AID PROJECT		
		CONTRACT NO. 95483		



STORM SEWER - STA. 11+56.50 - STA. 16+00.00 - F.A.U. 8435 (JOHNSON ST.)

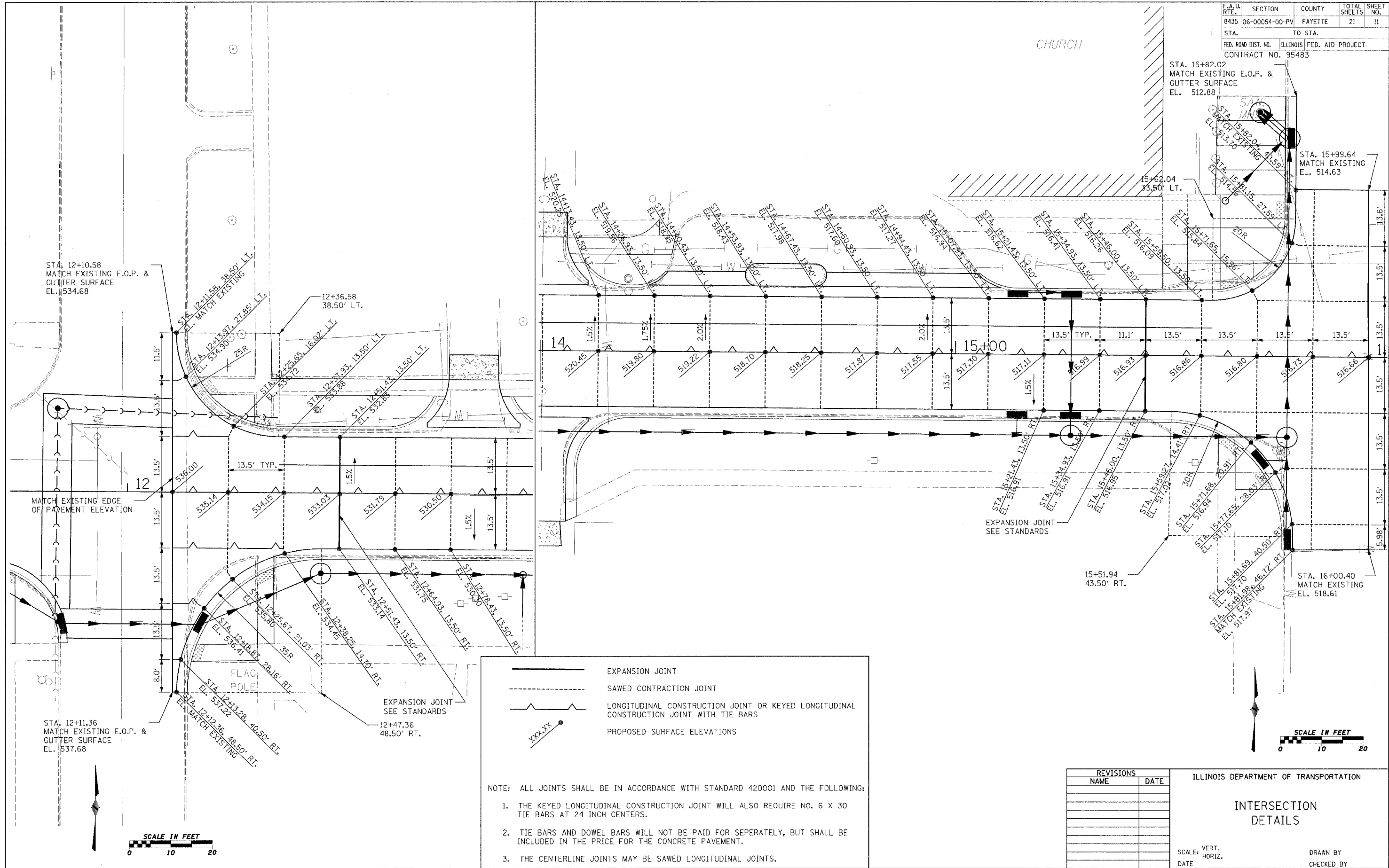
PLAN	DATE
REVISED	
BY	
NO.	
DATE	


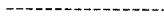

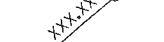
PROJ. I.L.	DATE
REVISED	
BY	
NO.	
DATE	

CADD FILE: 4812/5121.ss.dgn
 PLOTTED: 5/11/2006

H.M. & G. NO. 5721

F.A. DIST. NO.	SECTION	COUNTY	TOTAL SHEETS	SHEET NO.
8435	06-00054-00-PV	FAYETTE	21	11
STA.	TO STA.			
FED. ROAD DIST. NO.	ILLINOIS FED. AID PROJECT		CONTRACT NO. 95483	



 EXPANSION JOINT
 SAWED CONTRACTION JOINT
 LONGITUDINAL CONSTRUCTION JOINT OR KEYED LONGITUDINAL CONSTRUCTION JOINT WITH TIE BARS
 PROPOSED SURFACE ELEVATIONS

NOTE: ALL JOINTS SHALL BE IN ACCORDANCE WITH STANDARD 420001 AND THE FOLLOWING:

1. THE KEYED LONGITUDINAL CONSTRUCTION JOINT WILL ALSO REQUIRE NO. 6 X 30 TIE BARS AT 24 INCH CENTERS.
2. TIE BARS AND DOWEL BARS WILL NOT BE PAID FOR SEPERATELY, BUT SHALL BE INCLUDED IN THE PRICE FOR THE CONCRETE PAVEMENT.
3. THE CENTERLINE JOINTS MAY BE SAWED LONGITUDINAL JOINTS.

REVISIONS	
NAME	DATE

ILLINOIS DEPARTMENT OF TRANSPORTATION

INTERSECTION DETAILS

SCALE: VERT. HORIZ.
DATE

DRAWN BY
CHECKED BY

CADD FILE: /4812/5121.DWG
PLOTTER: 5/11/2006

H.M. & G. INC. 5721

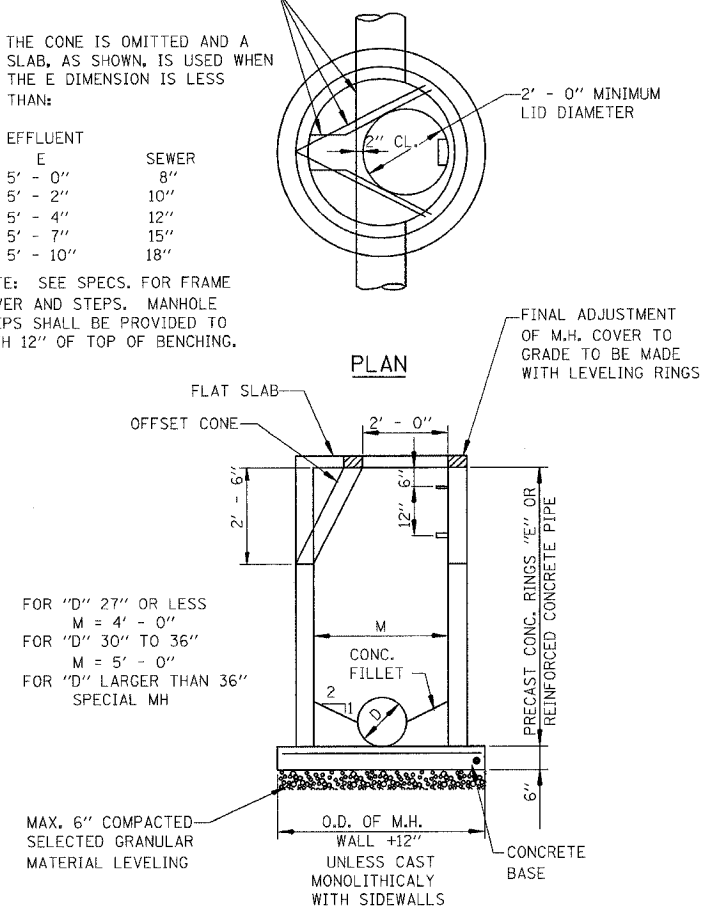
F.A. DIST. NO.	SECTION	COUNTY	TOTAL SHEETS	SHEET NO.
8435	06-00054-00-PV	FAYETTE	21	12
STA.	TO STA.			
FED. ROAD DIST. NO.	ILLINOIS	FED. AID PROJECT		
CONTRACT NO. 95483				

#5 REINFORCING IN 7" SLAB ON SHALLOW MANHOLES WHERE CONE IS OMITTED

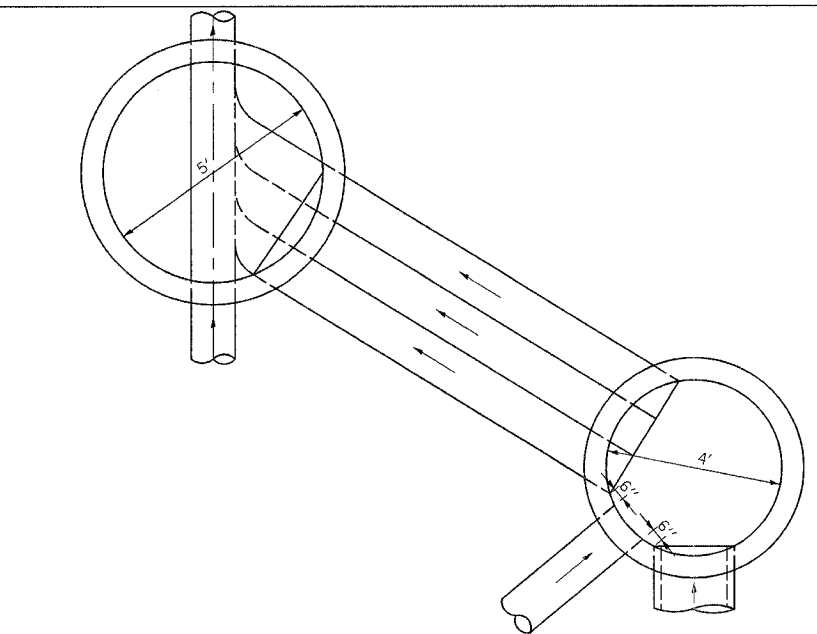
THE CONE IS OMITTED AND A SLAB, AS SHOWN, IS USED WHEN THE E DIMENSION IS LESS THAN:

EFFLUENT E	SEWER
5' - 0"	8"
5' - 2"	10"
5' - 4"	12"
5' - 7"	15"
5' - 10"	18"

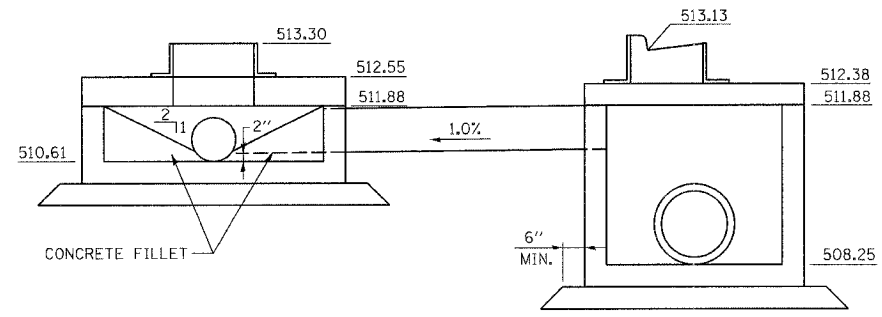
NOTE: SEE SPECS. FOR FRAME COVER AND STEPS. MANHOLE STEPS SHALL BE PROVIDED WITH 12" OF TOP OF BENCHING.



SECTION
SANITARY MANHOLE

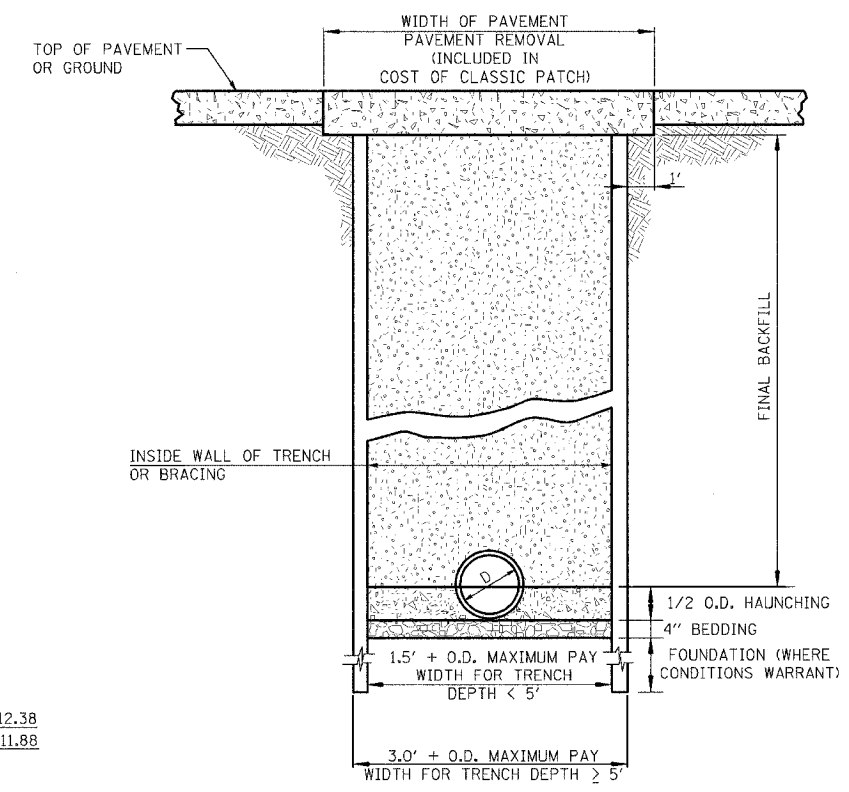


PLAN VIEW



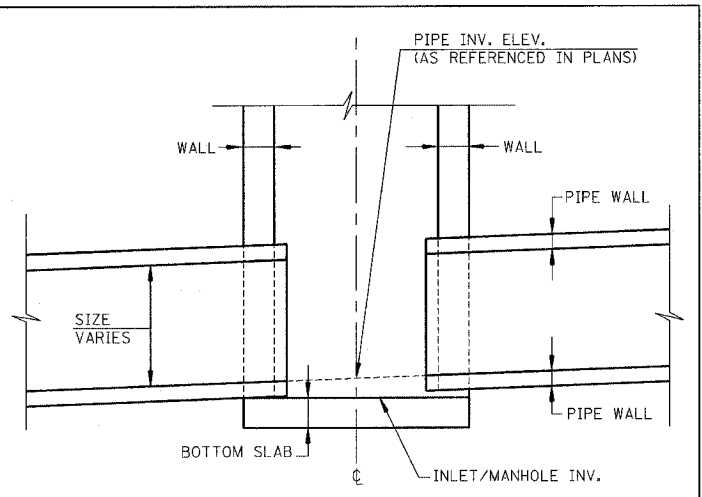
SECTION

RESTRICTED DEPTH MANHOLES, 5' - DIAMETER, TYPE 1 FRAME, CLOSED LID
RESTRICTED DEPTH MANHOLES, 4' - DIAMETER, TYPE 3V FRAME & GRATE



TRENCHING DETAIL

- BEDDING**
CA 6 REQUIRED IN ALL LOCATIONS (INCLUDED IN THE COST OF PIPE)
- HAUNCHING**
CA 6 REQUIRED IN ALL LOCATIONS (INCLUDED IN THE COST OF PIPE)
- FINAL BACKFILL**
CA 6 REQUIRED IN ALL LOCATIONS WHERE THE EDGE OF THE TRENCH IS LOCATED WITHIN TWO (2) FEET OF A PERMANENT SURFACE, INCLUDING DRIVEWAYS AND SIDEWALK AND IN ALL LOCATIONS WHERE EXISTING MAINS AND APPURTENANCES ARE TO BE REMOVED. CA-6 PAID FOR AS TRENCH BACKFILL, SPECIAL.
CASE I BACKFILL FREE FROM ORGANICS AT ALL OTHER LOCATIONS (INCLUDED IN THE COST OF PIPE)



TYPICAL INLET/MANHOLE ELEVATION REFERENCE DETAIL



FRAME AND LID TYPE 1
FRAME AND GRATE TYPE 3 & 3V

TYPICAL LID/GRATE ELEVATION REFERENCE DETAIL

NOTE: ALL MANHOLE/INLET RELATED STATION/OFFSET CALLOUTS ARE REFERENCED TO THE CENTER OF GRATE OR LID (2' OPENING) ON TOP.

REVISIONS	
NAME	DATE

ILLINOIS DEPARTMENT OF TRANSPORTATION

MISCELLANEOUS DETAILS

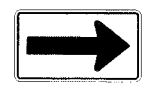
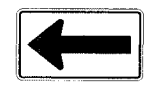
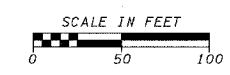
SCALE: VERT. DATE
HORIZ. CHECKED BY

DRAWN BY E.D.W.

CADD FILE: 14812/572L.dwg
PLOTTED: 5/5/2006

H.M. & S. NO. 5721

F.A.U. RTE.	SECTION	COUNTY	TOTAL SHEETS	SHEET NO.
8435	06-00054-00-PV	FAYETTE	21	13
STA.	TO STA.			
FED. ROAD DIST. NO.	ILLINOIS	FED. AID PROJECT		
CONTRACT NO. 95483				



① W20-3(0)-48
(MODIFIED AS SHOWN, 48" x 48")

② M6-1(0)
(30" x 18")
OR
M5-1L(0)

③ M6-1(0)
(30" x 18")
OR
M5-1R(0)

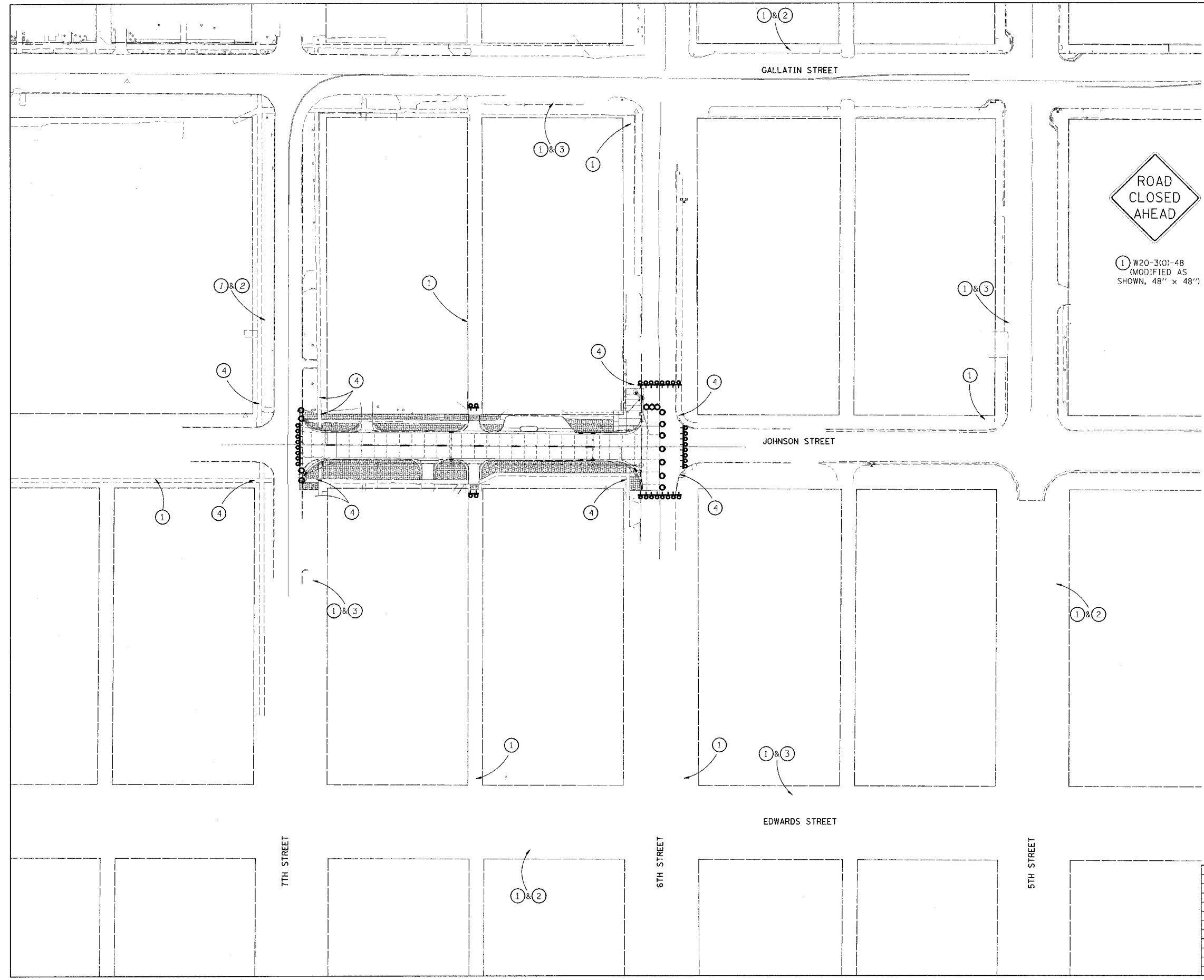
④ R11-1101-2430
(30" x 30")

LEGEND

- ▲ SIGN, OR SIGNS
- DRUM OR TYPE II BARRICADES WITH STEADY BURNING, MONODIRECTIONAL LIGHT
- ⊞ TYPE III BARRICADES WITH FLASHING LIGHTS - SEE HIGHWAY STANDARD 702001

NOTES

1. BARRICADES AND DRUMS SHOWN DO NOT REPRESENT THE FULL NUMBER REQUIRED TO FULLY BLOCK DESIGNATED AREAS, WHICH IS REQUIRED. THE CONTRACTOR IS RESPONSIBLE FOR INCLUDING IN TRAFFIC CONTROL AND PROTECTION, ADEQUATE LENGTHS TO EFFECT THIS.
2. ALL OPEN TRENCHES AND EXCAVATIONS > 1.5' DEEP, WITHIN WORK ZONES PROTECTED BY TYPE III BARRICADES AND THAT REMAIN OPEN FOR INDEFINITE PERIODS OF TIME, SHALL HAVE TYPE II BARRICADES WITH A STEADY BURNING, MONODIRECTIONAL LIGHT EVERY 20' (MIN.) AND CORDONED OFF WITH CAUTION TAPE.



REVISIONS	
NAME	DATE

ILLINOIS DEPARTMENT OF TRANSPORTATION

TRAFFIC CONTROL PLAN

SCALE: VERT. _____
HORIZ. _____
DATE _____

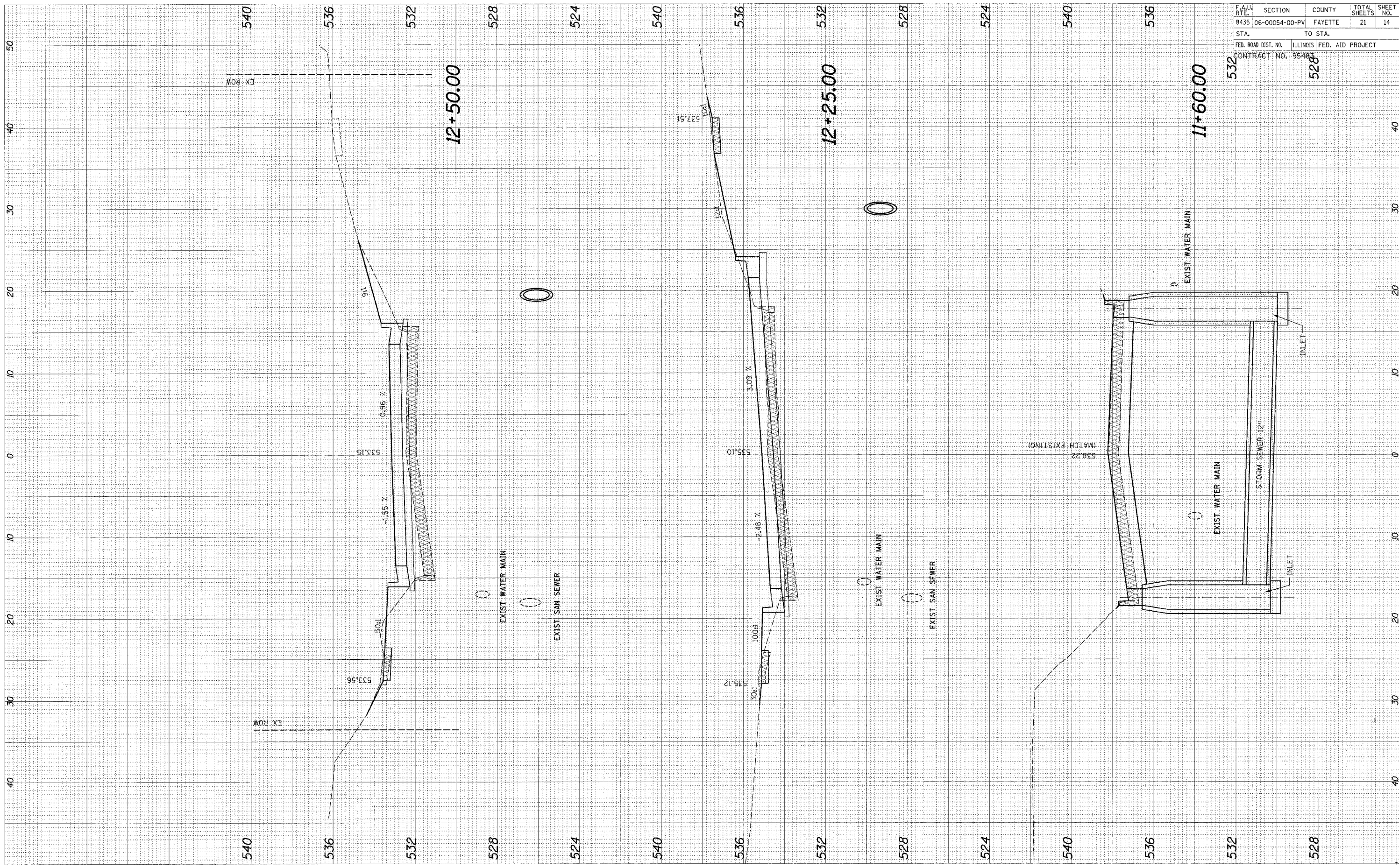
DRAWN BY _____
CHECKED BY _____

CADD FILE: /4812/5121.Largeconst.dgn
PLOTTED: 5/8/2006

H.M. & G. NO. 5121

ORIGINAL SURVEY	DATE
CONTRACT NO.	BY
NOTE BOOK	DATE
AREA	
AREA	
AREA	

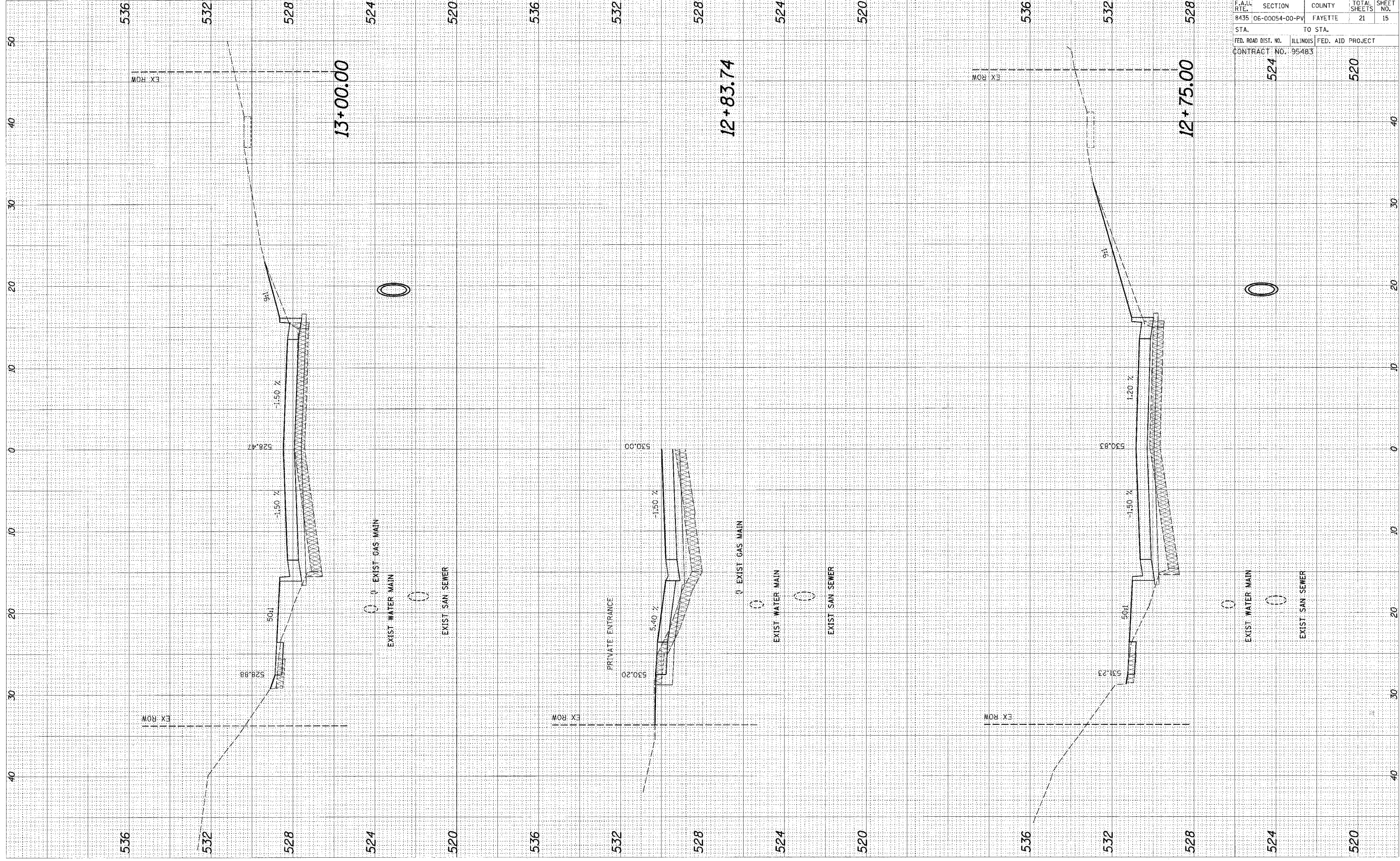
FINAL SURVEY	DATE
CONTRACT NO.	BY
NOTE BOOK	DATE
AREA	
AREA	
AREA	



F.A.U. RTE.	SECTION	COUNTY	TOTAL SHEETS	SHEET NO.
8435	06-00054-00-PV	FAYETTE	21	14
STA.		TO STA.		
FED. ROAD DIST. NO.		ILLINOIS FED. AID PROJECT		
CONTRACT NO.: 95483				

ORIGINAL	REVISED	DATE
SURVEY	BY	
NOTE BOOK	NO.	
AREAS	CHECKED	
TEMPLE		
PLAT		
NO.		

FINAL	REVISED	DATE
SURVEY	BY	
NOTE BOOK	NO.	
AREAS	CHECKED	
TEMPLE		
PLAT		
NO.		

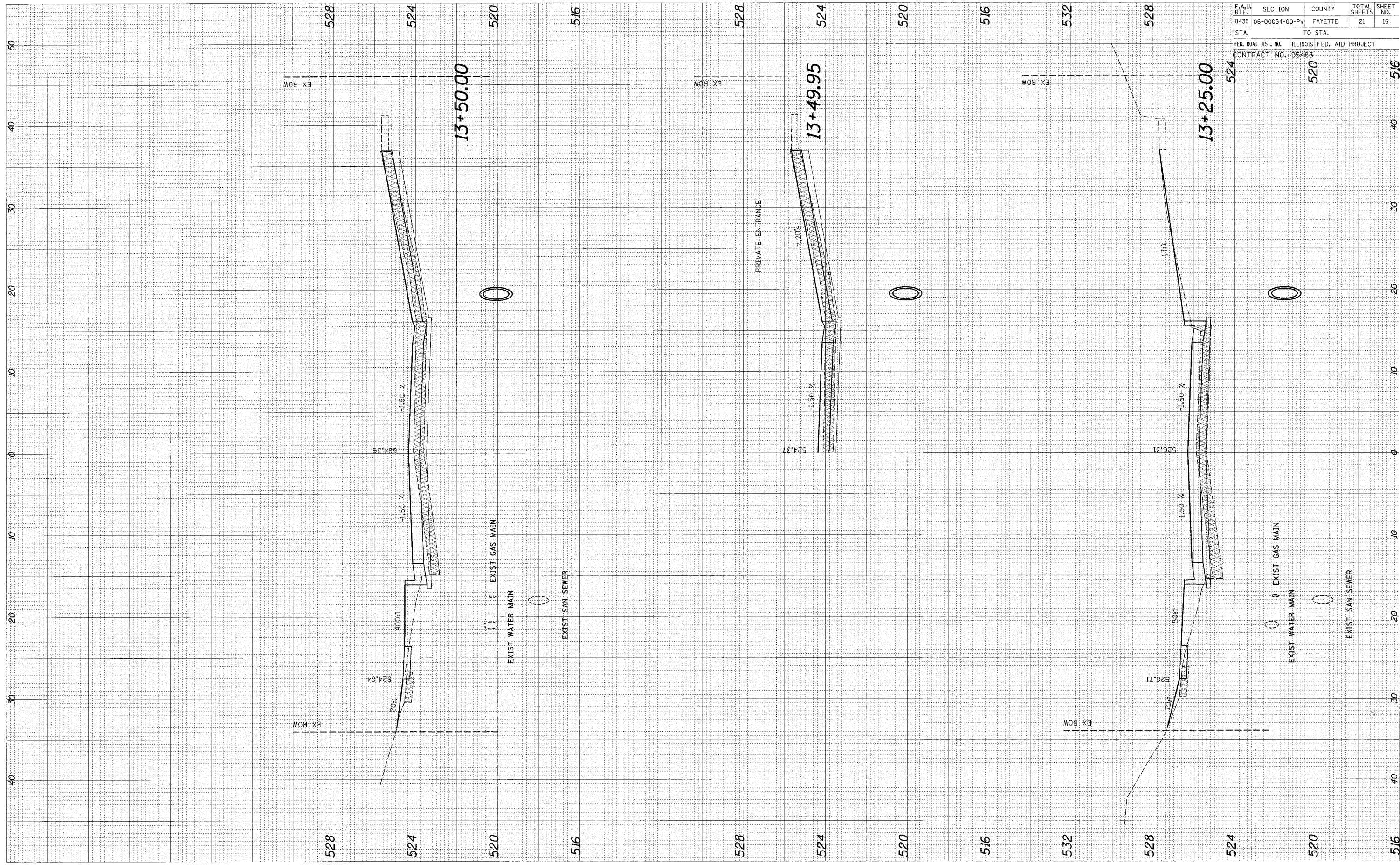


F.A.U. RTE.	SECTION	COUNTY	TOTAL SHEETS	SHEET NO.
8435	06-00054-00-PV	FAYETTE	21	15
STA.	TO STA.			
FED. ROAD DIST. NO.	ILLINOIS	FED. AID PROJECT		
CONTRACT NO.: 95483				

524 520

FINAL SURVEY	DATE
REVISION	
NO. DATE	
NO. DATE	
NO. DATE	
NO. DATE	
NO. DATE	

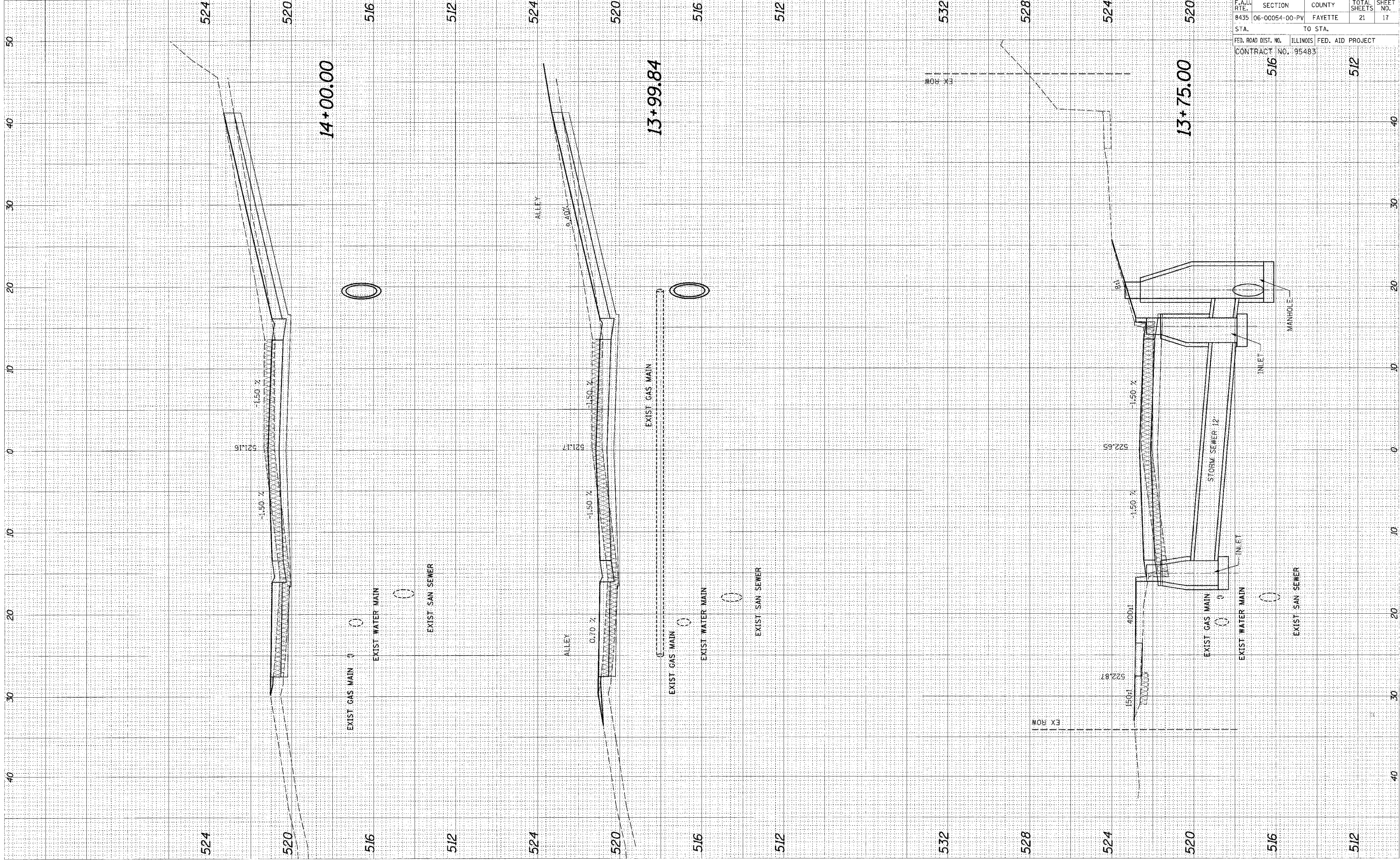
ORIGINAL SURVEY	BY	DATE
REVISION		
NO. DATE		
NO. DATE		
NO. DATE		
NO. DATE		
NO. DATE		



F.A.U. RTE.	SECTION	COUNTY	TOTAL SHEETS	SHEET NO.
8435	06-00054-00-PV	FAYETTE	21	16
STA.	TO STA.			
FED. ROAD DIST. NO.	ILLINOIS FED. AID PROJECT			
CONTRACT NO. 95403	520			516

ORIGIN:	DESIGNED	BY	DATE
SURVEY	PLOTTED		
NOTE BOOK	TEMPLATE		
NO.	AREAS CHECKED		

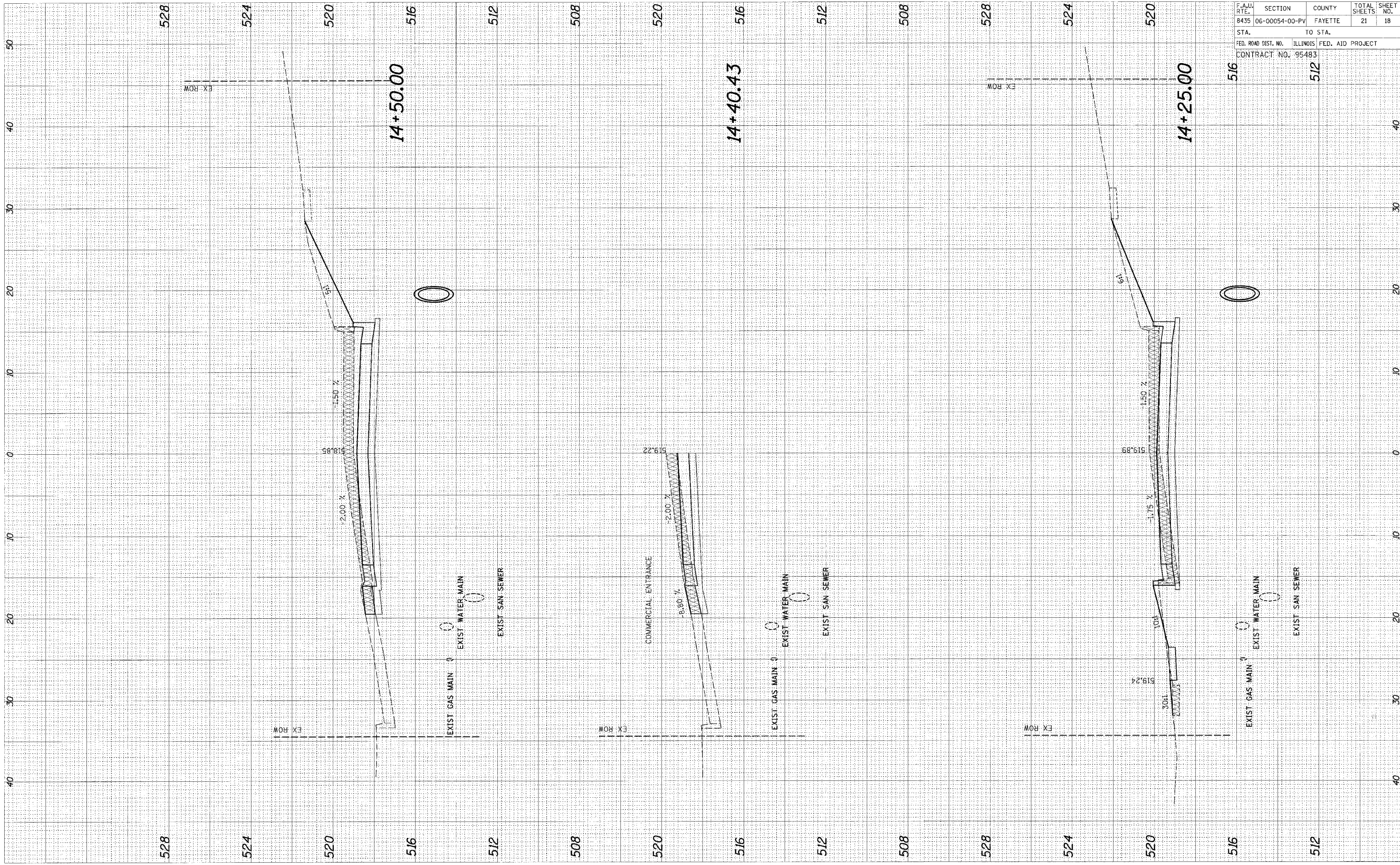
FINAL	CHECKED	DATE
SURVEY	PLOTTED	
NOTE BOOK	TEMPLATE	
NO.	AREAS CHECKED	



F.A.U. RTE.	SECTION	COUNTY	TOTAL SHEETS	SHEET NO.
8435	06-00054-00-PV	FAYETTE	21	17
STA.	TO STA.			
	516	512		
FED. ROAD DIST. NO.	ILLINOIS FED. AID PROJECT			
	CONTRACT NO. 95483			

ORIGINAL SURVEY	DATE
TEMPERATURE	BY
PLOTTED	
NOTE BOOK	
AREA	
AREAS CHECKED	
NO.	

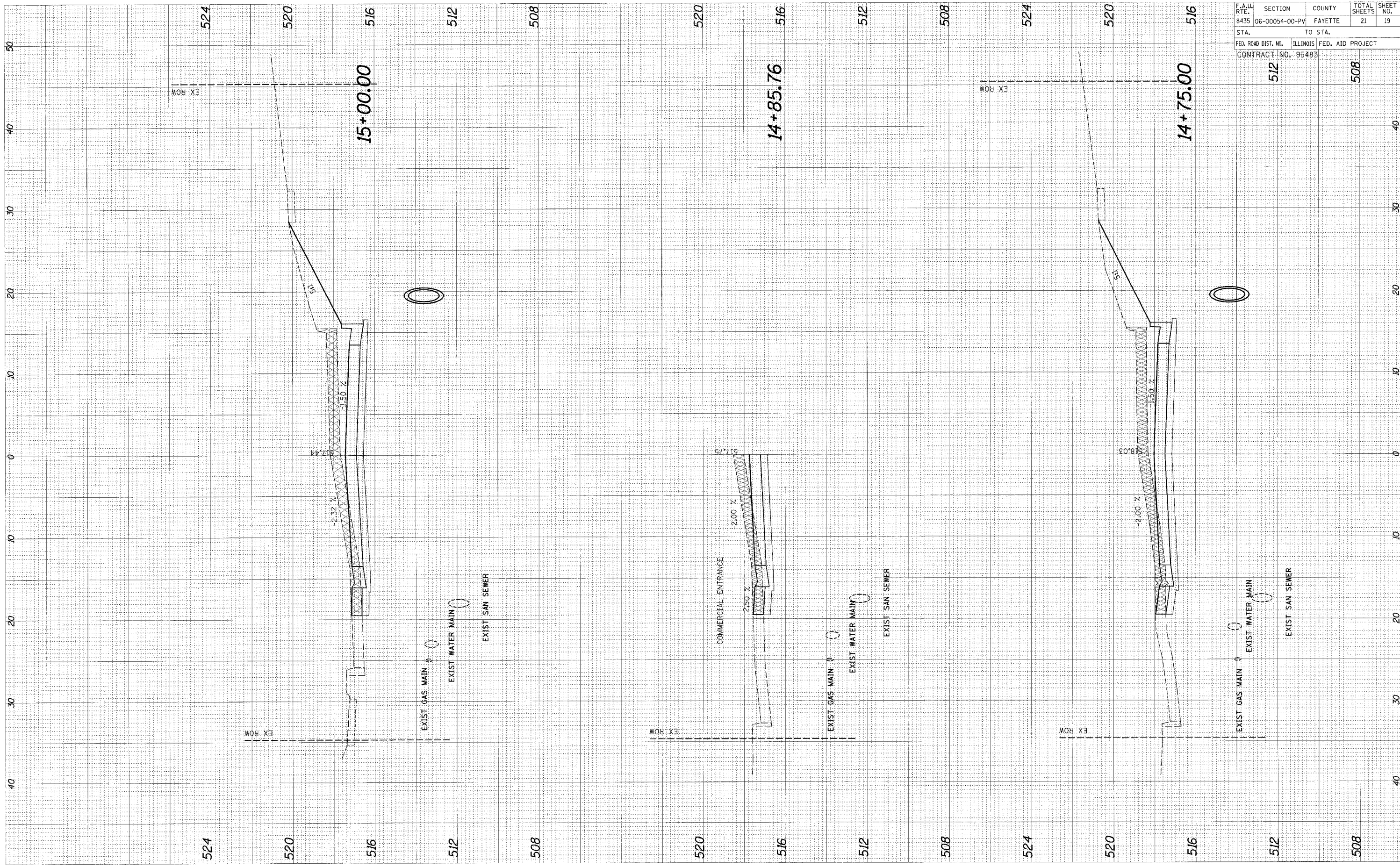
FINAL SURVEY	DATE
TEMPERATURE	BY
PLOTTED	
NOTE BOOK	
AREA	
AREAS CHECKED	
NO.	



F.A.U. RTE.	SECTION	COUNTY	TOTAL SHEETS	SHEET NO.
8435	06-00054-00-PV	FAYETTE	21	18
STA.	TO STA.			
FED. ROAD DIST. NO.	ILLINOIS	FED. AID PROJECT		
CONTRACT NO. 95483				

FINAL SURVEY	DATE
APPROVED	
NOTED	
TEMPLATE	
AREAS	
AREAS	
AREAS	

ORIGINAL SURVEY	DATE
APPROVED	
NOTED	
TEMPLATE	
AREAS	
AREAS	
AREAS	

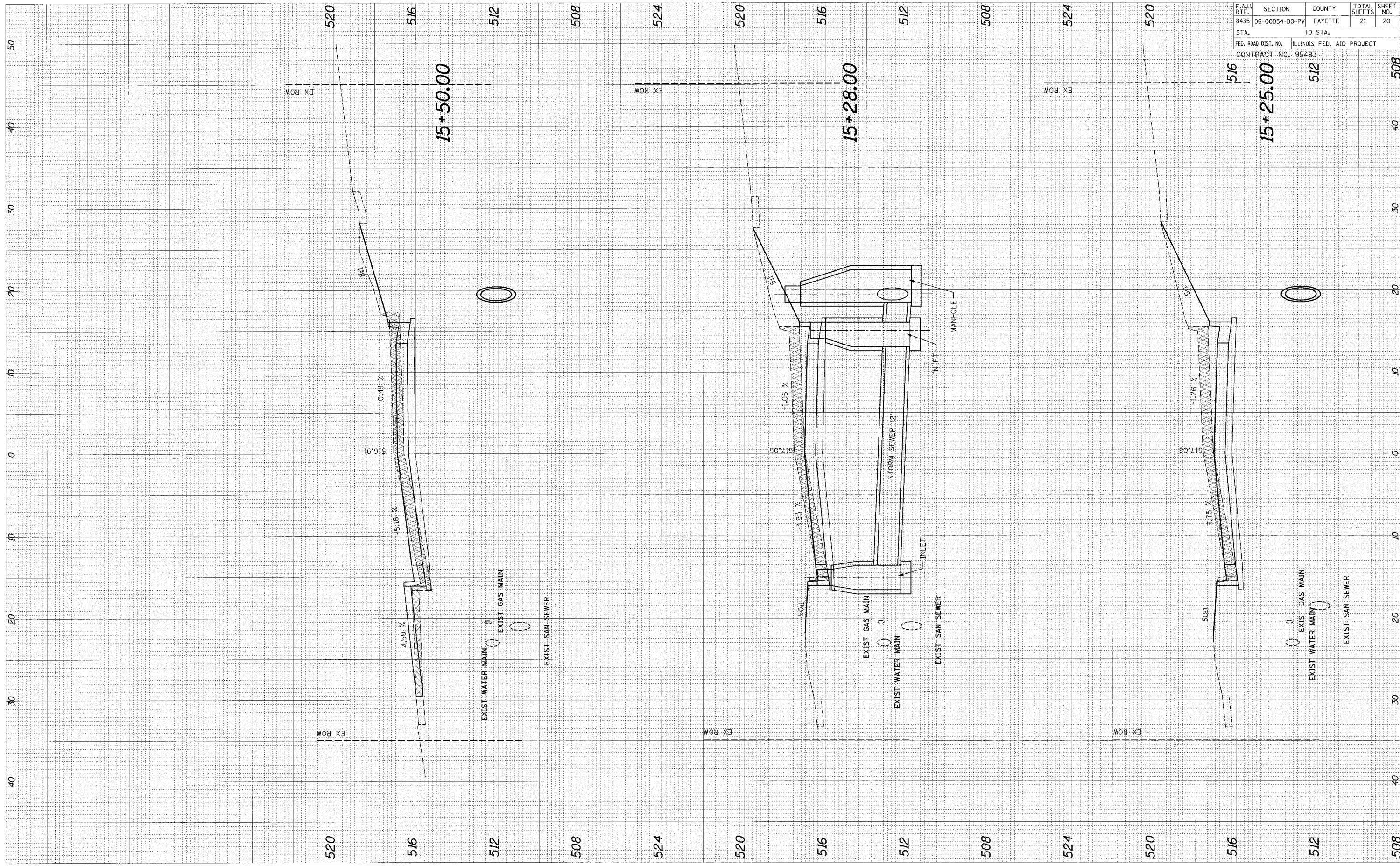


F.A.U. RTE.	SECTION	COUNTY	TOTAL SHEETS	SHEET NO.
8435	06-00054-00-PV	FAYETTE	21	19
STA.	TO STA.			
FED. ROAD DIST. NO.	ILLINOIS	FED. AID PROJECT		
CONTRACT NO.	95483			

512 508

FINAL SURV.	DATE
SURVEY	
NOTE BOOK	
TEMPLATE	
AREAS	
AREAS CHECKED	

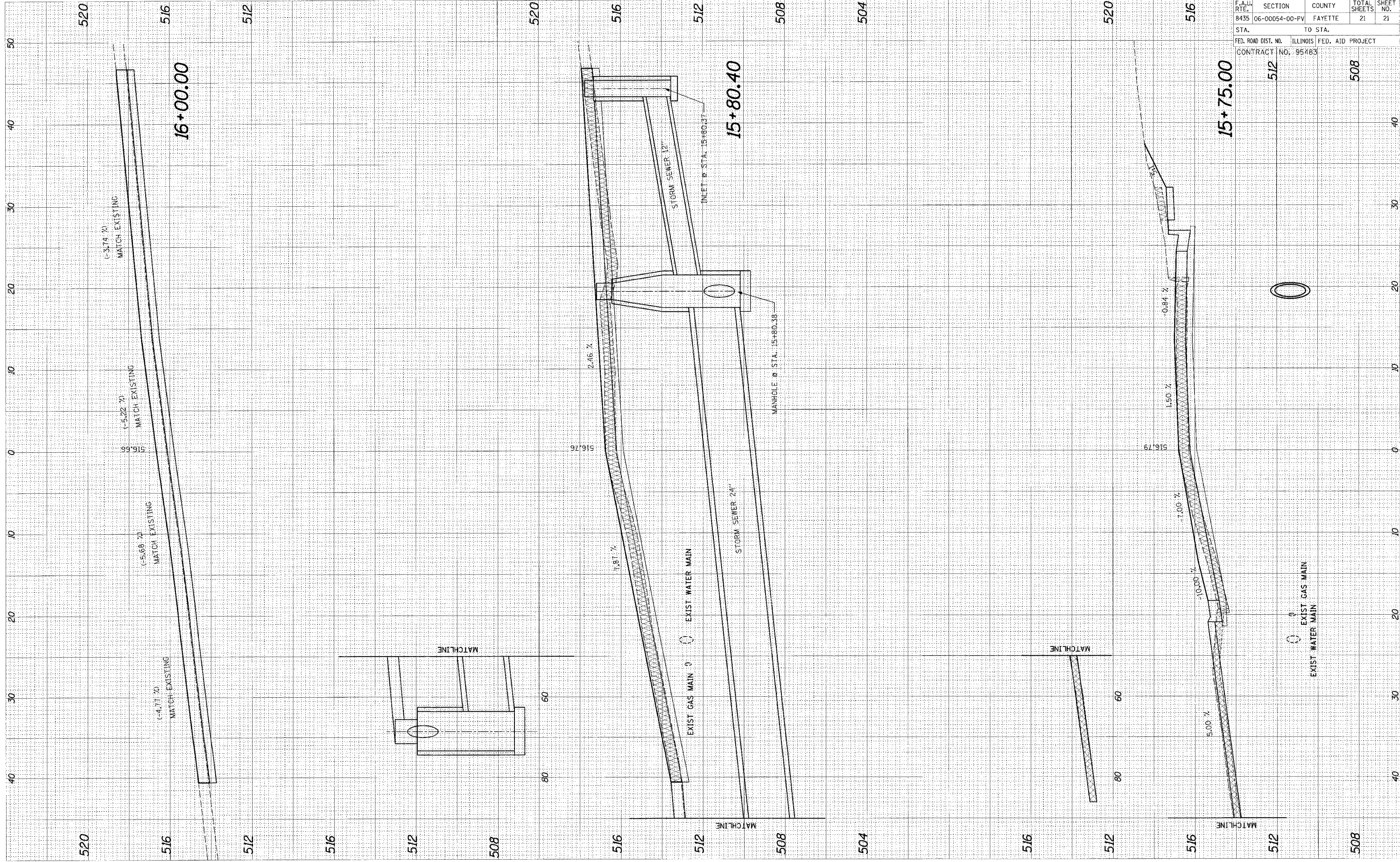
ORIGINAL SURV.	BY	DATE
SURVEY		
NOTE BOOK		
TEMPLATE		
AREAS		
AREAS CHECKED		



F.A.U. RTE.	SECTION	COUNTY	TOTAL SHEETS	SHEET NO.
8435	06-00054-00-PV	FAYETTE	21	20
STA.	TO STA.			
	15+25.00		15+50.00	
FED. ROAD DIST. NO.	ILLINOIS	FED. AID PROJECT		
CONTRACT NO. 95483				

FINAL SURVEY	DATE
SURVEYED	
NOTE BOOK	
AREAS	
AREAS DUMPED	

ORIGINAL SURVEY	DATE
SURVEYED	
NOTE BOOK	
AREAS	
AREAS DUMPED	



F.A.W. RTE.	SECTION	COUNTY	TOTAL SHEETS	SHEET NO.
8435	06-00054-00-PV	FAYETTE	21	21
STA.	TO STA.			
	ILLINOIS FED. AID PROJECT			
CONTRACT NO. 95463				



EXIST WATER MAIN
EXIST GAS MAIN