

STATE OF ILLINOIS
DEPARTMENT OF TRANSPORTATION

F.A. RTE.	SECTION	COUNTY	TOTAL SHEETS	SHEET NO.
VAR	2023 VAR FENCE	VARIOUS	21	1
ILLINOIS			CONTRACT NO. 62U94	

* 21 + 1 = 22 TOTAL SHEETS

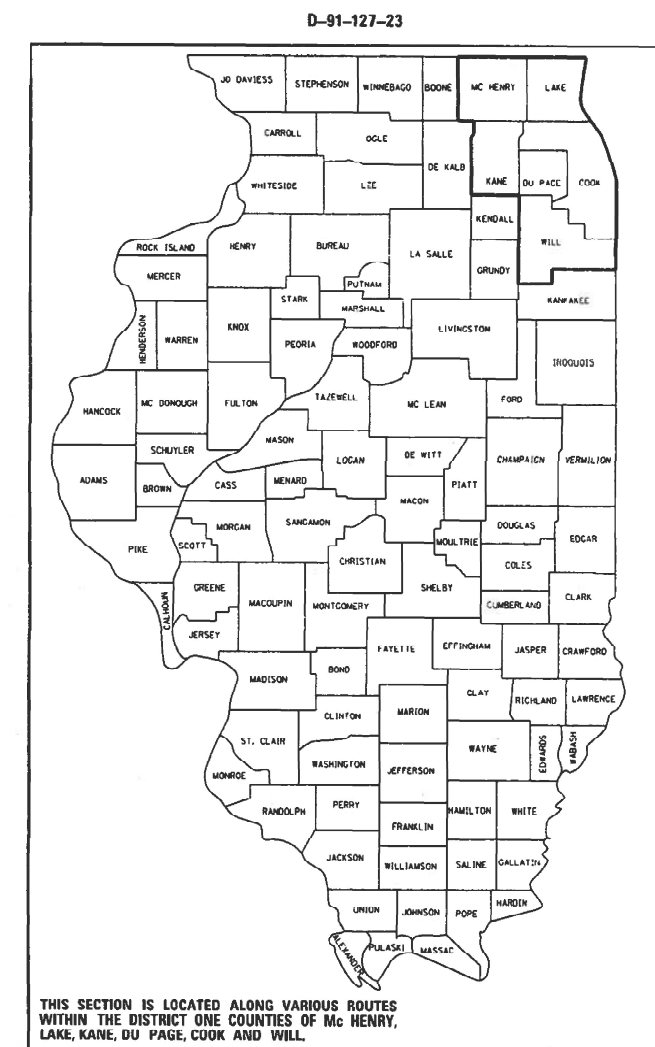
FOR INDEX OF SHEETS, SEE SHEET NO. 2

PROPOSED HIGHWAY PLANS

ROUTE: VARIOUS EXPRESSWAYS AND ARTERIAL
HIGHWAYS – DISTRICT ONE

SECTION: 2023 VAR FENCE
FENCE REPAIR

COUNTY: VARIOUS
C-91-181-23



SEE LOCATION MAPS
SHEETS 4 THRU 12

C.U.A.N.
CHICAGO UTILITY ALERT NETWORK
1-312-744-7000

J.U.L.I.E.
JOINT UTILITY LOCATION INFORMATION FOR EXCAVATION
1-800-892-0123
OR 811

PROJECT ENGINEER: RODRIGO LEDEZMA (847) 705-4580
PROJECT MANAGER: J. ALAIN MIDY (847) 221-3056

CONTRACT NO. 62U94

STATE OF ILLINOIS
DEPARTMENT OF TRANSPORTATION

SUBMITTED MAY 16 20 23

[Signature]
REGIONAL ENGINEER

June 30, 2023 [Signature]
ENGINEER OF DESIGN AND ENVIRONMENT

June 30, 2023 [Signature]
DIRECTOR OF HIGHWAYS PROJECT IMPLEMENTATION

PRINTED BY THE AUTHORITY
OF THE STATE OF ILLINOIS

INDEX OF SHEETS

1	COVERSHEET
2	INDEX OF SHEETS, STANDARDS, AND GENERAL NOTES
3	SUMMARY OF QUANTITIES
4	COOK COUNTY (SOUTH OF ILL 38) LOCATION MAP
5	DUPAGE COUNTY (SOUTH OF ILL 38) LOCATION MAP
6	KANE COUNTY (SOUTH OF ILL 38) LOCATION MAP
7	WILL COUNTY LOCATION MAP
8	COOK COUNTY (NORTH OF ILL 38) LOCATION MAP
9	DUPAGE COUNTY (NORTH OF ILL 38) LOCATION MAP
10	KANE COUNTY (NORTH OF ILL 38) LOCATION MAP
11	LAKE COUNTY LOCATION MAP
12	MCHENRY COUNTY LOCATION MAP
13	DETAILS OF PEDESTRIAN BARRIER TYPE III (STD. 10-SS-514R)
14	CHAIN LINK FENCE (STD 10-SS-506B)
15	CHAIN LINK FENCE POST SLEEVE REPAIR DETAIL
16	PROPOSED PEDESTRIAN BARRIER AND CHAIN LINK FENCE WITH TENSION WIRE AND FENCE RAIL REMOVAL
17	SPECIAL FENCE DETAILS
18	ENTRANCE AND EXIT RAMP CLOSURE DETAILS (TC-08)
19	TRAFFIC CONTROL AND PROTECTION FOR SIDE ROADS, INTERSECTIONS AND DRIVEWAYS (TC-10)
20	TRAFFIC CONTROL AND PROTECTION AT TURN BAYS (TO REMAIN OPEN TO TRAFFIC) (TC-14)
21	TRAFFIC CONTROL DETAILS FOR SHOULDER CLOSURE AND PARTIAL RAMP CLOSURES (TC-17)
21A	FREEWAY / EXPRESSWAY SIGNING FOR FLAGGING OPERATIONS AT WORK ZONE OPENINGS ON FREEWAYS / EXPRESSWAYS

GENERAL NOTES

- BEFORE STARTING ANY EXCAVATION, THE CONTRACTOR SHALL CALL "J.U.L.I.E." AT (800) 892-0123 OR 811 FOR FIELD LOCATIONS OF BURIED ELECTRIC, TELEPHONE AND GAS UTILITIES. 48 HOUR NOTIFICATION IS REQUIRED.
- THE CONTRACTOR SHALL CONTACT THE DISTRICT ONE TRAFFIC CONTROL SUPERVISOR AT (847) 705-4155 FOR EXPRESSWAYS AND KALPANA.KANNAN-HOSAGURGA@ILLINOIS.GOV FOR ARTERIALS, A MINIMUM OF 72 HOURS IN ADVANCE OF BEGINNING WORK.
- THE CONTRACTOR SHALL SUBMIT ALL DAILY LANE, RAMP AND SHOULDER CLOSURES VIA WWW.IDOTLCS.COM AT LEAST 24 HOURS IN ADVANCE OF ALL DAILY LANE, AND RAMP AND SHOULDER CLOSURES. THE CONTRACTOR SHALL REQUEST AND GAIN THE APPROVAL FROM THE ILLINOIS DEPARTMENT OF TRANSPORTATION'S EXPRESSWAY TRAFFIC OPERATIONS ENGINEER AT (847) 705-4151 OR (847) 705-4155.

STATE STANDARDS

DESCRIPTION

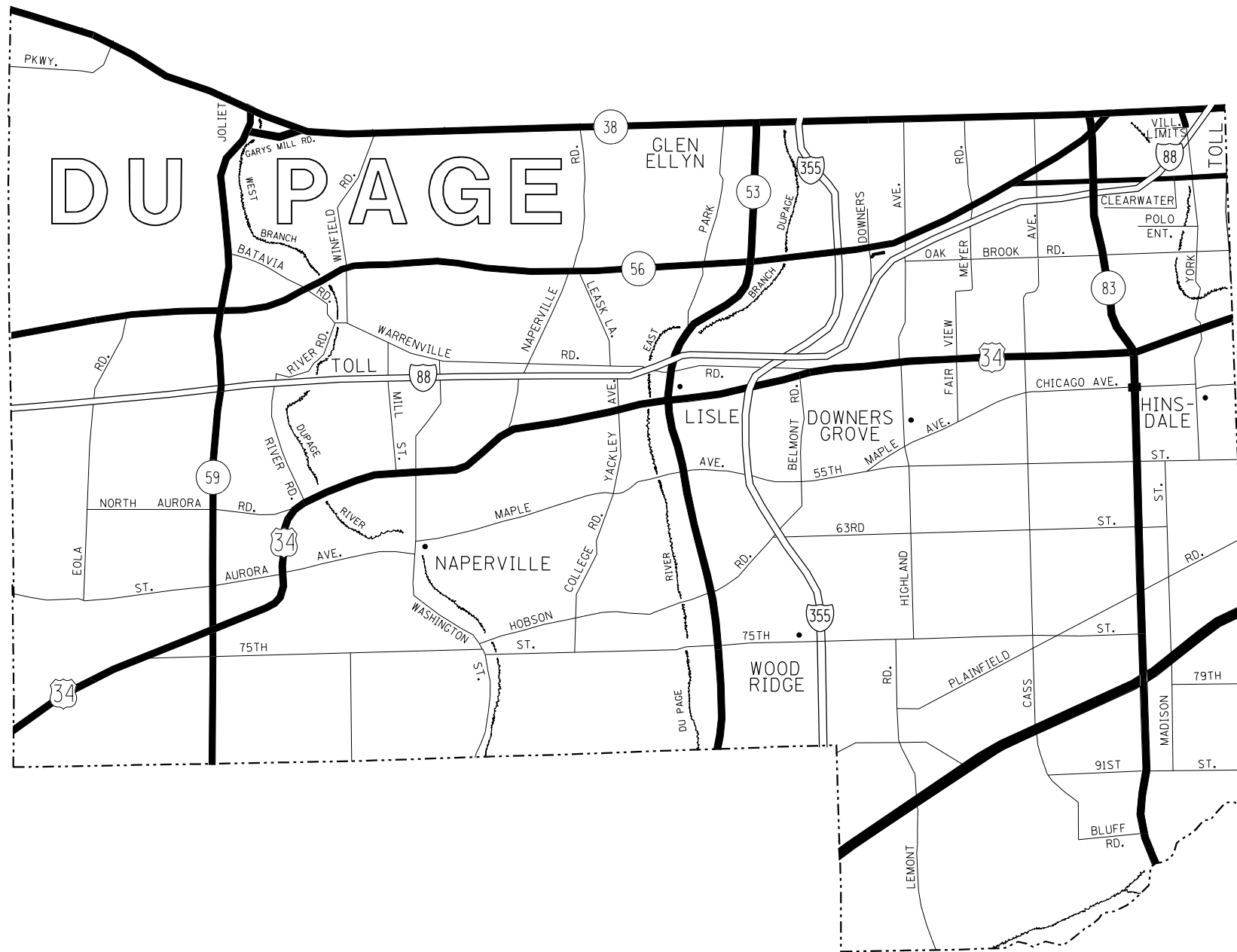
664001 - 01	CHAIN LINK FENCE
665001 - 02	WOVEN WIRE FENCE
701001 - 02	OFF-RD OPERATIONS, 2L, 2W, MORE THAN 15' AWAY
701006 - 05	OFF-RD OPERATIONS, 2L, 2W, 15' TO 24" FROM PAVEMENT EDGE
701011 - 04	OFF-RD OPERATIONS, 2L, 2W, DAY ONLY
701101 - 05	OFF-RD OPERATIONS, MULTILANE, 15' TO 24" FROM PAVEMENT EDGE
701106 - 02	OFF-RD OPERATIONS, MULTILANE, MORE THAN 15' AWAY
701301 - 04	LANE CLOSURE, 2L, 2W, SHORT TIME OPERATIONS
701306 - 04	LANE CLOSURE, 2L, 2W, SLOW MOVING OPERATIONS DAY ONLY, FOR SPEEDS ≥ 45 MPH
701311 - 03	LANE CLOSURE, 2L, 2W, MOVING OPERATIONS DAY ONLY
701336 - 07	LANE CLOSURE, 2L, 2W, WORK AREAS IN SERIES, FOR SPEED > 45 MPH
701400 - 11	APPROACH TO LANE CLOSURE, FREEWAY/EXPRESSWAY
701401 - 13	LANE CLOSURE, FREEWAY/EXPRESSWAY
701411 - 09	LANE CLOSURE, MULTILANE, AT ENTRANCE OR EXIT RAMP, FOR SPEED > 45 MPH
701421 - 08	LANE CLOSURE, MULTILANE, DAY OPERATIONS ONLY, FOR SPEEDS > 45 MPH TO 55 MPH
701422 - 10	LANE CLOSURE, MULTILANE, FOR SPEEDS > 45 MPH TO 55 MPH
* 701426 - 09	LANE CLOSURE, MULTILANE, INTERMITTENT OR MOVING OPERATIONS, FOR SPEEDS ≥ 45 MPH
701427 - 05	LANE CLOSURE, MULTILANE, INTERMITTENT OR MOVING OPERATIONS < 45 MPH
701428 - 01	TRAFFIC CONTROL SETUP AND REMOVAL FREEWAY/EXPRESSWAY
701501 - 06	URBAN LANE CLOSURE, 2L, 2W, UNDIVIDED
701601 - 09	URBAN LANE CLOSURE, MULTILANE, 1W OR 2W, WITH NONTRAVERSIBLE MEDIAN
701602 - 10	URBAN LANE CLOSURE, MULTILANE, 2W WITH BIDIRECTIONAL LEFT TURN LANE
701606 - 10	URBAN LANE CLOSURE, MULTILANE, 2W WITH MOUNTABLE MEDIAN
701701 - 10	URBAN LANE CLOSURE, MULTILANE INTERSECTION
701801 - 06	SIDEWALK, CORNER OR CROSSWALK CLOSURE
701901 - 08	TRAFFIC CONTRL DEVICES

* MOVING LANE CLOSURES WILL NOT BE PERMITTED ON EXPRESSWAYS

SUMMARY OF QUANTITIES			TOTAL QUANTITIES URBAN	CONSTRUCTION TYPE CODE 0021					
CODE NO	ITEM	UNIT		100% STATE 0021	100% MCHD 0021				
66400505	CHAIN LINK FENCE, 8'	FOOT	195	171	24				
66500105	WOVEN WIRE FENCE, 4'	FOOT	2964	2605	359				
X6640100	FENCE RAIL REMOVAL	FOOT	1000	879	121				
X6640300	CHAIN LINK FENCE REMOVAL	FOOT	46	40	6				
X6640309	CHAIN LINK GATES (SPECIAL)	SQ FT	682	599	83				
X6640590	CHAIN LINK FENCE POST SLEEVE REPAIR	EACH	400	352	48				
Z0009600	CHAIN LINK FABRIC, SPECIAL, 5'-0"	FOOT	20	18	2				
Z0009700	CHAIN LINK FABRIC, SPECIAL, 6'-0"	FOOT	1505	1323	182				
Z0009800	CHAIN LINK FABRIC, SPECIAL, 7'-0"	FOOT	9	8	1				
Z0009810	CHAIN LINK FABRIC, SPECIAL, 8'-0"	FOOT	59	52	7				
Z0009900	CHAIN LINK FABRIC, TYPE 1, 4'-0"	FOOT	16361	14378	1983				
Z0010300	CHAIN LINK FABRIC, TYPE 3, SPECIAL	FOOT	390	343	47				
Z0020210	PULL POST ARRANGEMENT	EACH	3	2	1				
Z0033200	LINE POST, TYPE 1	EACH	600	527	73				
Z0033305	LINE POST, TYPE 3 (SPECIAL)	EACH	30	26	4				
Z0042500	POST (SPECIAL)	EACH	77	68	9				

SUMMARY OF QUANTITIES			TOTAL QUANTITIES URBAN	CONSTRUCTION TYPE CODE 0021					
CODE NO	ITEM	UNIT		100% STATE 0021	100% MCHD 0021				
Z0042505	POST REMOVAL AND REPLACEMENT	EACH	2	1	1				
Z0074000	TERMINAL POST, TYPE 1	EACH	39	34	5				
Z0074010	TERMINAL POST, TYPE 3 SPECIAL	EACH	6	5	1				

FILE NAME =	USER NAME =	DESIGNED -	REVISED -	STATE OF ILLINOIS DEPARTMENT OF TRANSPORTATION	SUMMARY OF QUANTITIES	F.A. RTE.	SECTION	COUNTY	TOTAL SHEETS	SHEET NO.	
pw:\nidat-pw.bentley.com\PI\DOT\Documents\1\DOT - Offices\District 1\Projects\DI2723\CADData\Design\DI2723-shr-plans	rodri.guadalupe	DRAWN -	REVISED -			VAR	2023 VAR FENCE	VARIOUS	21	3	
		CHECKED -	REVISED -			CONTRACT NO. 62U94					
		DATE -	REVISED -			FED. ROAD DIST. NO. 1 ILLINOIS FED. AID PROJECT					
PLOT SCALE = 100,0000' / in.		PLOT DATE = 5/17/2023		SCALE:		SHEET NO. OF SHEETS		STA. TO STA.			



DISTRICT NO. 1
MAINTENANCE DESIGNATIONS

- VARIOUS COLORS STATE HIGHWAYS & EXPRESSWAYS
- TOLLWAY
- CITY MAINTENANCE AGREEMENTS
- FUTURE HIGHWAYS
- VARIOUS AGENCIES HIGHWAYS

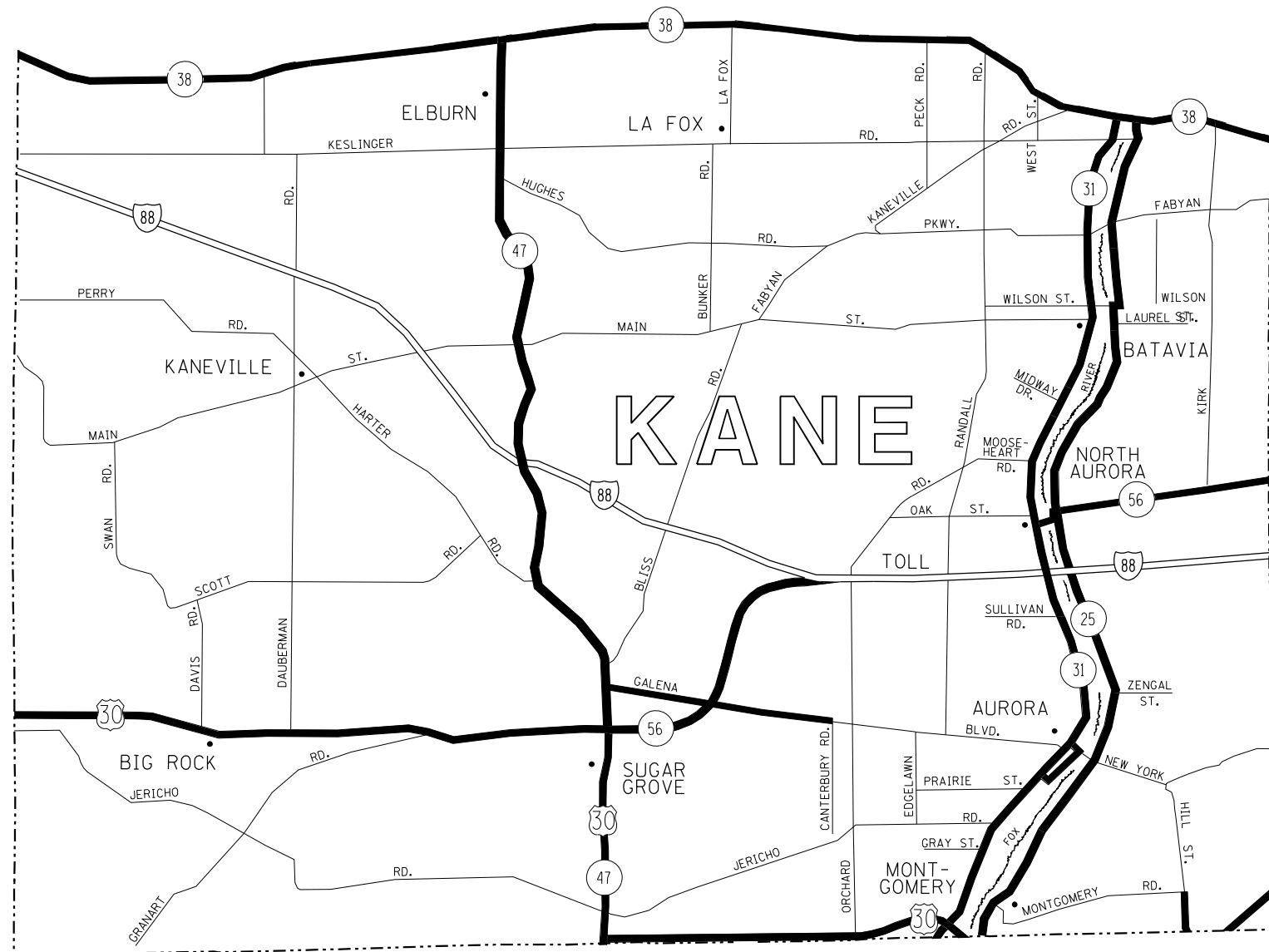
FILE NAME =	USER NAME = rodrigo.ledezma	DESIGNED -	REVISED -
pw:\idot-pw.bentley.com\PWIDOT\Documents\IDOT Offices\District 1\Projects\0112723\CADD\Drawings\0112723-sht-plan.dgn		DRAWN -	REVISED -
Default	PLOT SCALE = 100.0000' / in.	CHECKED -	REVISED -
	PLOT DATE = 5/17/2023	DATE -	REVISED -

**STATE OF ILLINOIS
DEPARTMENT OF TRANSPORTATION**

**FENCE REPAIR LOCATION MAP – DuPAGE COUNTY
SOUTH OF IL RTE 38**

SCALE: SHEET OF SHEETS STA. TO STA.

F.A. RTE.	SECTION	COUNTY	TOTAL SHEETS	SHEET NO.
VAR	2023 VAR FENCE	VARIOUS	21	5
CONTRACT NO. 62U94				
ILLINOIS FED. AID PROJECT				



DISTRICT NO. 1
MAINTENANCE DESIGNATIONS

- VARIOUS COLORS STATE HIGHWAYS & EXPRESSWAYS
- ==== TOLLWAY
- ==== CITY MAINTENANCE AGREEMENTS
- FUTURE HIGHWAYS
- VARIOUS AGENCIES HIGHWAYS

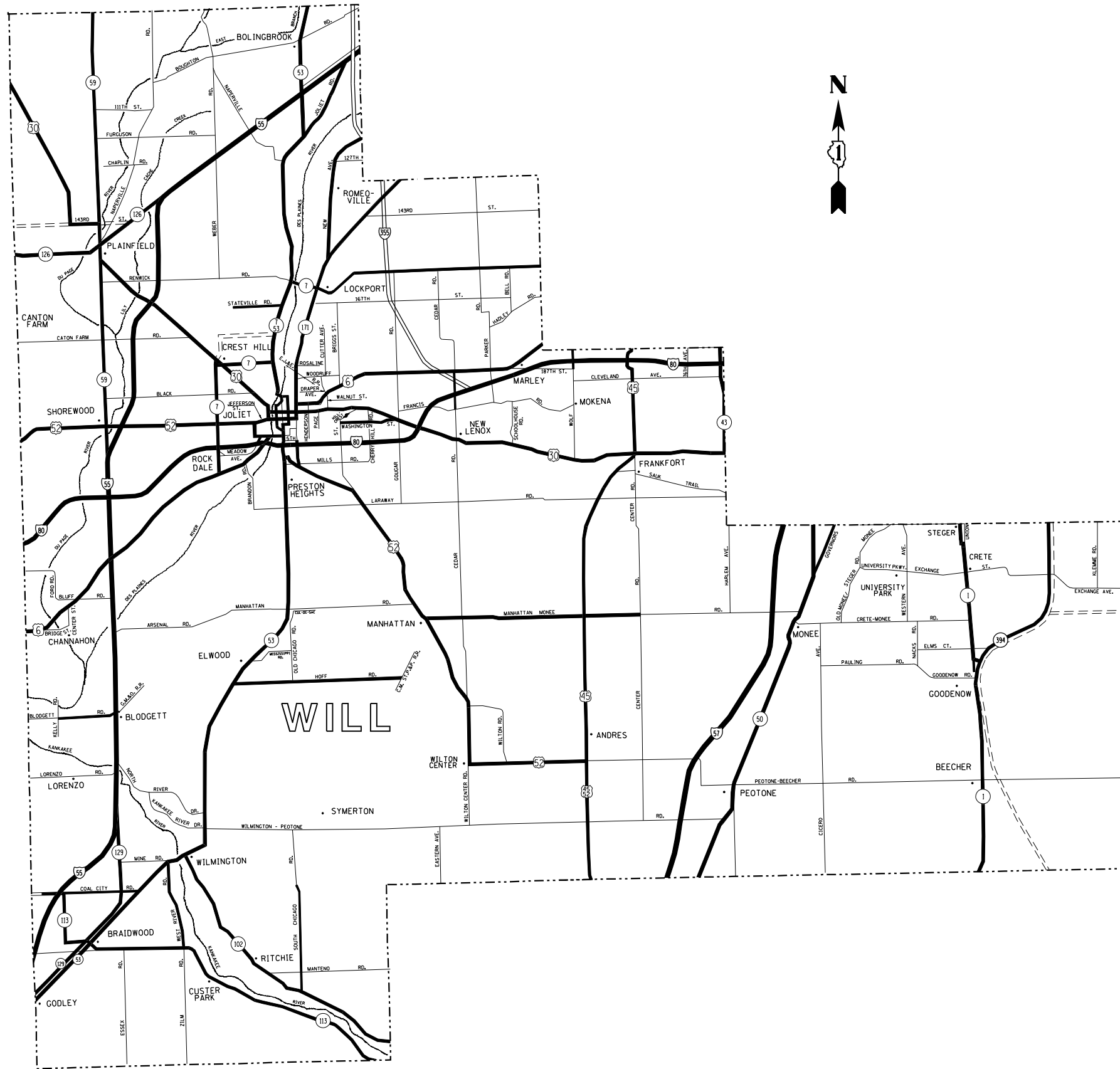
FILE NAME =	USER NAME = rodrigo.ledezma	DESIGNED -	REVISED -
p:\1\1dot-pw.bentley.com\PWIDOT\Documents\1\1dot-pw.bentley.com\Projects\112723\CAD\112723-sht-plan.dgn		CHECKED -	REVISED -
Default	PLOT DATE = 5/17/2023	DATE -	REVISED -

STATE OF ILLINOIS
DEPARTMENT OF TRANSPORTATION

FENCE REPAIR LOCATION MAP - KANE COUNTY
SOUTH OF IL RTE 38

SCALE: SHEET OF SHEETS STA. TO STA.

F.A. RTE.	SECTION	COUNTY	TOTAL SHEETS	SHEET NO.
VAR	2023 VAR FENCE	VARIOUS	21	6
			CONTRACT NO. 62U94	
ILLINOIS FED. AID PROJECT				



DISTRICT NO. 1 MAINTENANCE DESIGNATIONS

- VARIOUS COLORS STATE HIGHWAYS & EXPRESSWAYS
- TOLLWAY
- CITY MAINTENANCE AGREEMENTS
- FUTURE HIGHWAYS
- VARIOUS AGENCIES HIGHWAYS

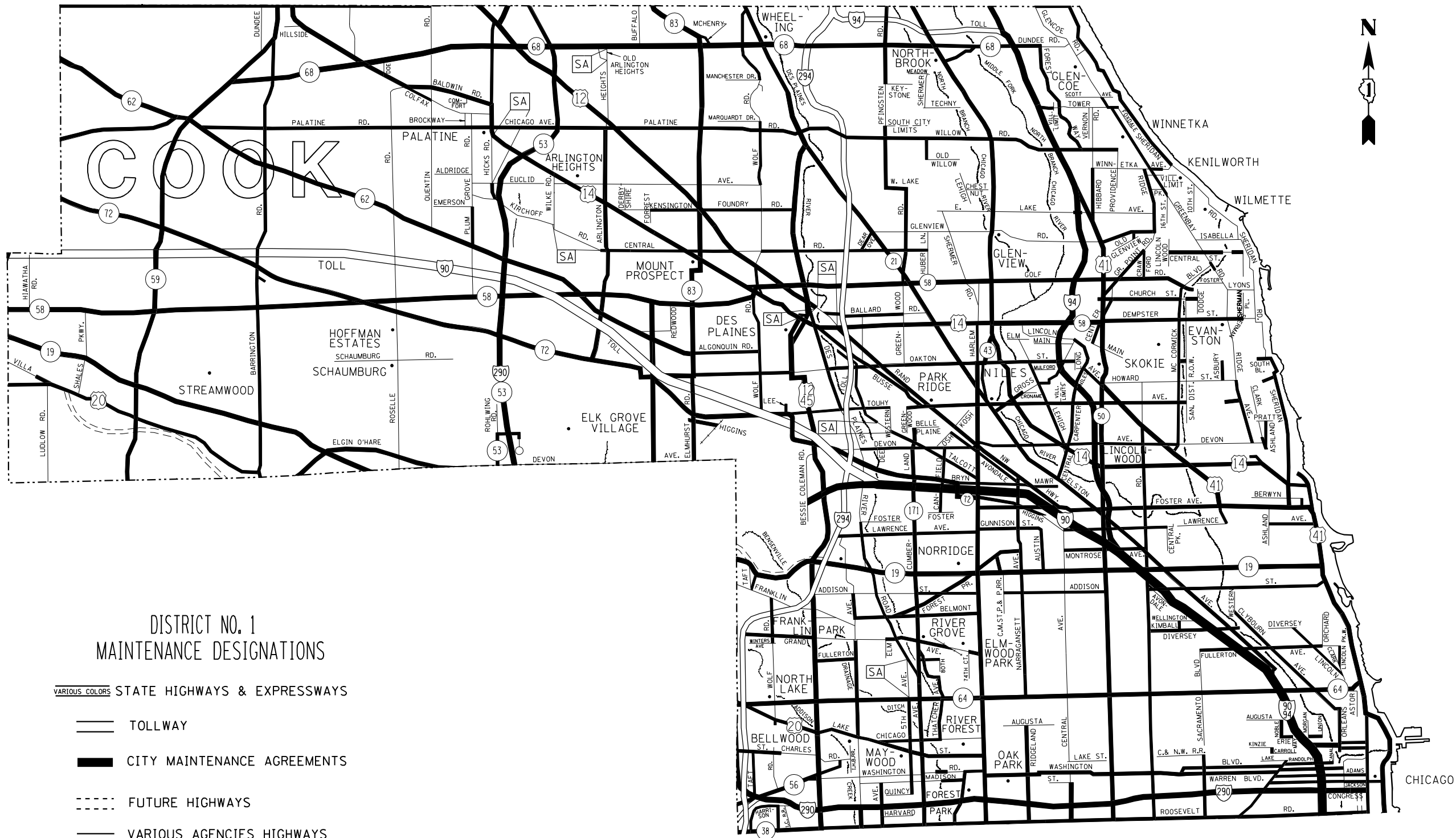
FILE NAME =	USER NAME = rodrigo.ledezma	DESIGNED -	REVISED -
pw:\idot-pw\bentley.com\PWIDOT\Documents\IDOT Offices\District 1\Projects\DI12723\CADD\Drawings\112723-sht-plan.dgn		DRAWN -	REVISED -
Default		CHECKED -	REVISED -
		DATE -	REVISED -

STATE OF ILLINOIS DEPARTMENT OF TRANSPORTATION

FENCE REPAIR LOCATION MAP - WILL COUNTY

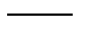

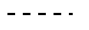

SCALE: SHEET OF SHEETS STA. TO STA.

F.A. RTE.	SECTION	COUNTY	TOTAL SHEETS	SHEET NO.
VAR	2023 VAR FENCE	VARIOUS	21	7
CONTRACT NO. 62U94				
ILLINOIS FED. AID PROJECT				



DISTRICT NO. 1
MAINTENANCE DESIGNATIONS

VARIOUS COLORS STATE HIGHWAYS & EXPRESSWAYS

-  TOLLWAY
-  CITY MAINTENANCE AGREEMENTS
-  FUTURE HIGHWAYS
-  VARIOUS AGENCIES HIGHWAYS

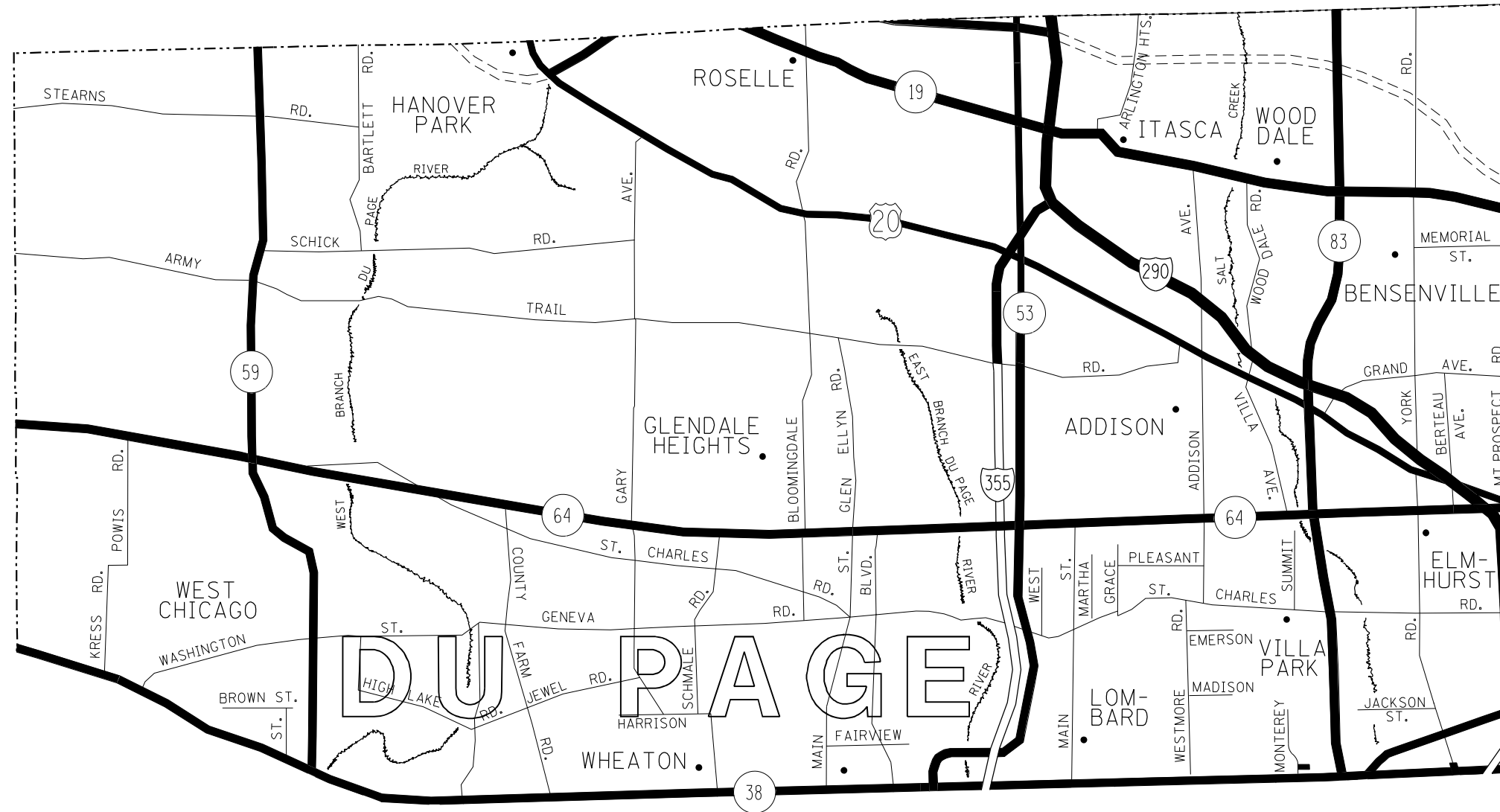
FILE NAME =	USER NAME = rodrigo.ledezma	DESIGNED -	REVISED -
p:\1\dot-pw.bentley.com\PWIDOT\Documents\DOT Offices\District 1\Projects\0112723\CADD\Drawings\0112723-sht-plan.dgn		DRAWN	REVISED -
Default	PLOT SCALE = 100.0000' / in.	CHECKED -	REVISED -
	PLOT DATE = 5/17/2023	DATE -	REVISED -

STATE OF ILLINOIS
DEPARTMENT OF TRANSPORTATION

FENCE REPAIR LOCATION MAP - COOK COUNTY
NORTH OF IL RTE 38

SCALE: SHEET OF SHEETS STA. TO STA.

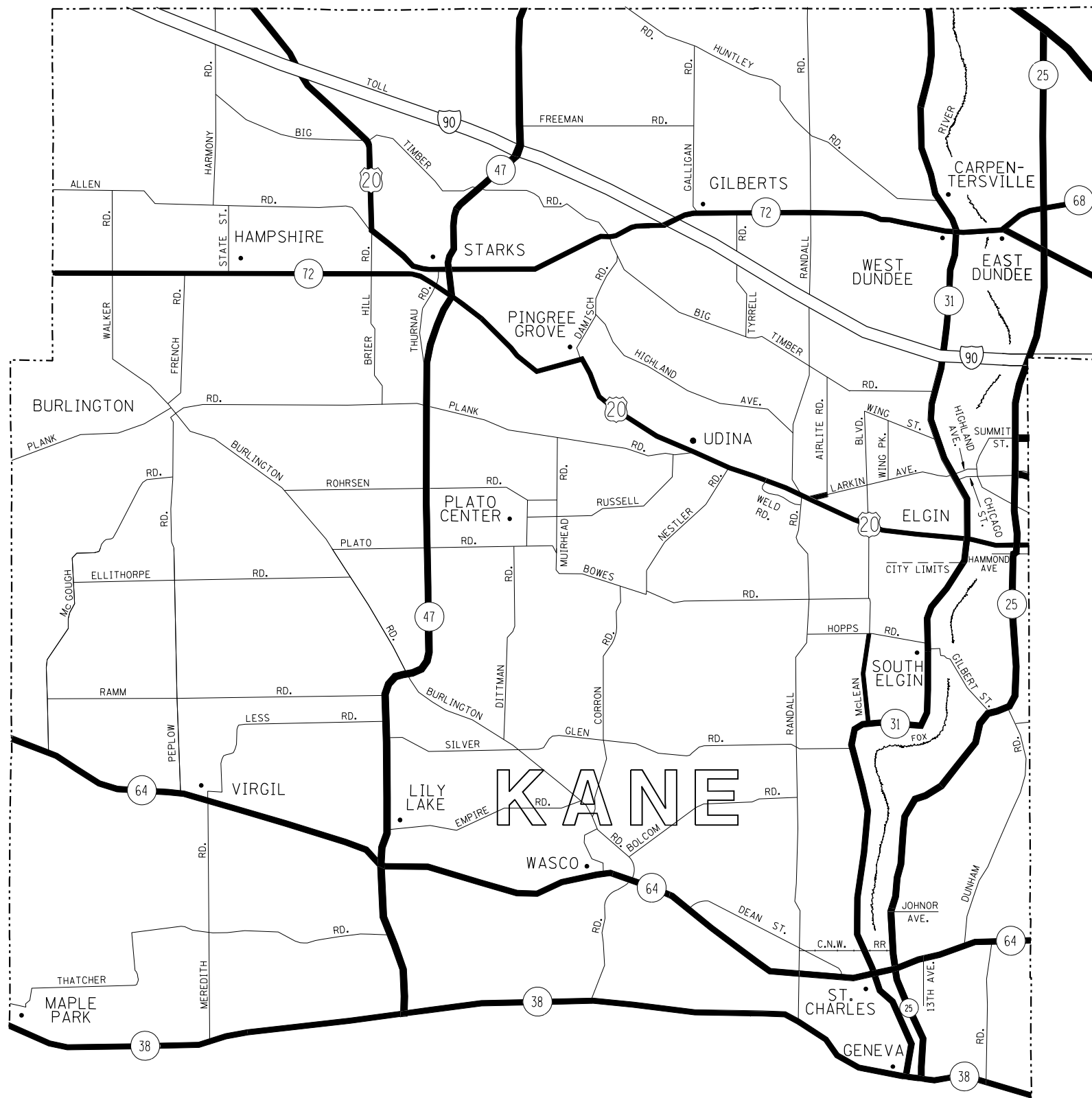
F.A. RTE.	SECTION	COUNTY	TOTAL SHEETS	SHEET NO.
VAR	2023 VAR FENCE	VARIOUS	21	8
			CONTRACT NO. 62U94	
ILLINOIS FED. AID PROJECT				



DISTRICT NO. 1
MAINTENANCE DESIGNATIONS

- VARIOUS COLORS STATE HIGHWAYS & EXPRESSWAYS
- TOLLWAY
- CITY MAINTENANCE AGREEMENTS
- FUTURE HIGHWAYS
- VARIOUS AGENCIES HIGHWAYS

FILE NAME =	USER NAME = rodrigo.ledezma	DESIGNED -	REVISED -	STATE OF ILLINOIS DEPARTMENT OF TRANSPORTATION	FENCE REPAIR LOCATION MAP - DuPAGE COUNTY NORTH OF IL RTE 38	F.A. RTE.	SECTION	COUNTY	TOTAL SHEETS	SHEET NO.	
pw:\idot-pw.bentley.com\PWIDOT\Documents\IDOT Offices\District 1\Projects\0112723\CADD\Design\0112723-sht-plan.dgn						VAR	2023 VAR FENCE	VARIOUS	21	9	
PLOT SCALE = 100.0000' / in.						CHECKED -	CONTRACT NO. 62U94				
Default						DATE -	SCALE:	SHEET	OF	SHEETS	STA.
PLOT DATE = 5/17/2023				REVISED -	ILLINOIS FED. AID PROJECT						



DISTRICT NO. 1
MAINTENANCE DESIGNATIONS

- VARIOUS COLORS STATE HIGHWAYS & EXPRESSWAYS
- TOLLWAY
- CITY MAINTENANCE AGREEMENTS
- FUTURE HIGHWAYS
- VARIOUS AGENCIES HIGHWAYS

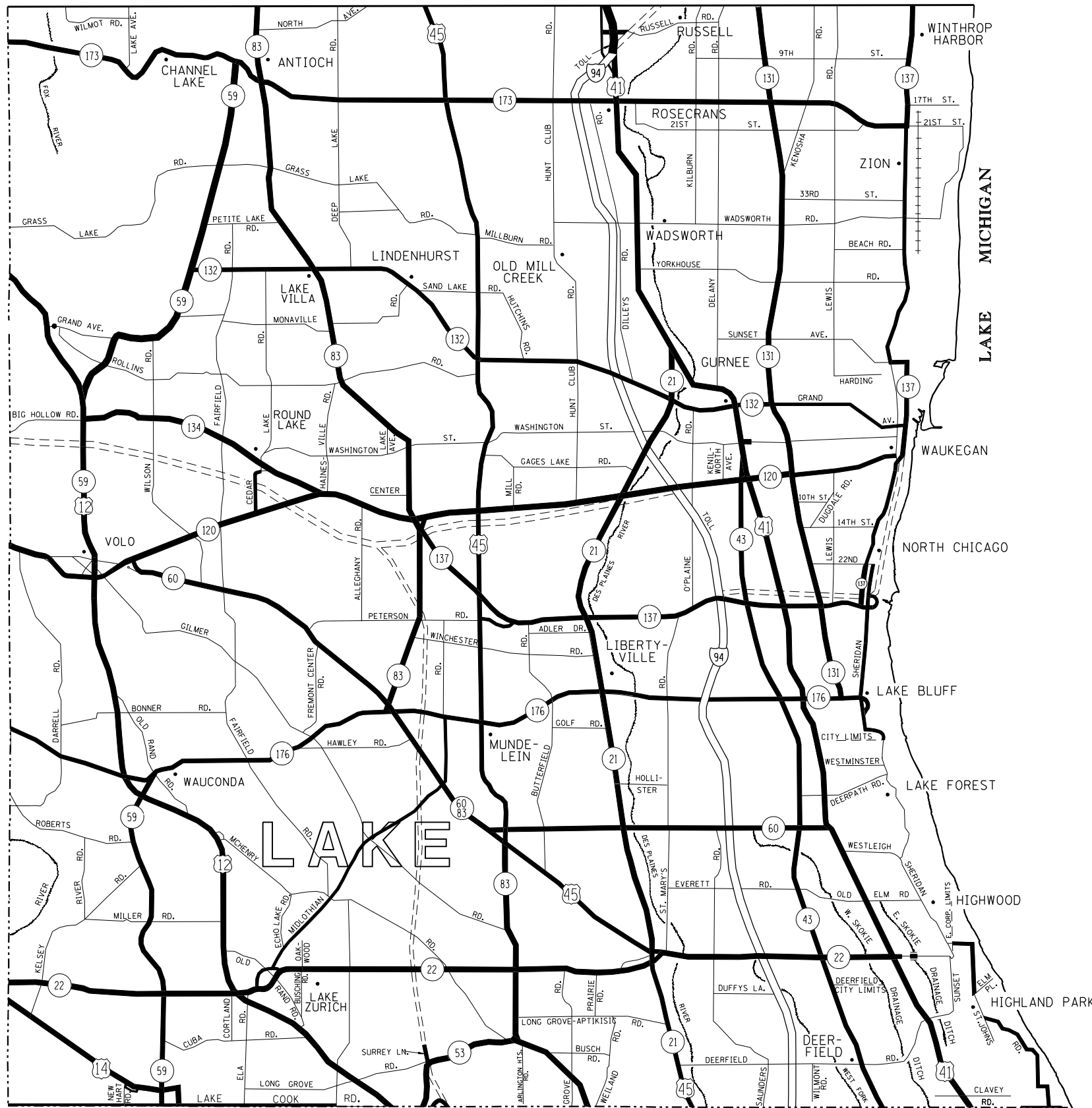
FILE NAME =	USER NAME = rodrigo.ledezma	DESIGNED -	REVISED -
p:\11dot-pw.bentley.com\PWIDOT\Documents\11DOT Offices\District 1\Projects\0112723\CAD\DRAWING\0112723-sht-plan.dgn		CHECKED -	REVISED -
Default	PLOT DATE = 5/17/2023	DATE -	REVISED -

**STATE OF ILLINOIS
DEPARTMENT OF TRANSPORTATION**

**FENCE REPAIR LOCATION MAP - KANE COUNTY
NORTH OF IL RTE 38**

SCALE: SHEET OF SHEETS STA. TO STA.

F.A. RTE.	SECTION	COUNTY	TOTAL SHEETS	SHEET NO.
VAR	2023 VAR FENCE	VARIOUS	21	10
CONTRACT NO. 62U94			ILLINOIS FED. AID PROJECT	

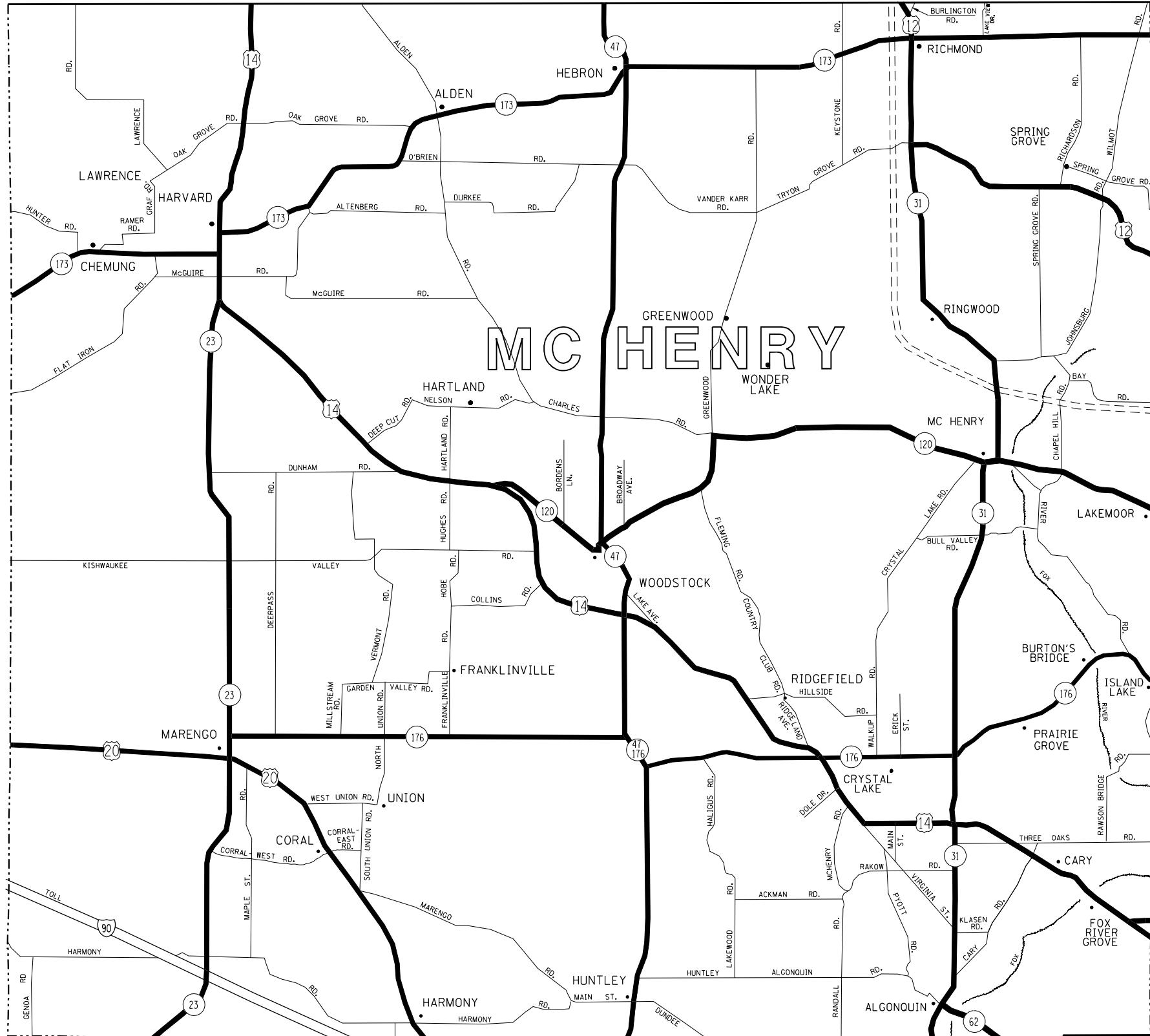


DISTRICT NO. 1 MAINTENANCE DESIGNATIONS

- VARIOUS COLORS STATE HIGHWAYS & EXPRESSWAYS
- TOLLWAY
- CITY MAINTENANCE AGREEMENTS
- FUTURE HIGHWAYS
- VARIOUS AGENCIES HIGHWAYS

FILE NAME =	USER NAME = rodrigo.ledezma	DESIGNED -	REVISED -	STATE OF ILLINOIS DEPARTMENT OF TRANSPORTATION	FENCE REPAIR LOCATION MAP - LAKE COUNTY	F.A. RTE.	SECTION	COUNTY	TOTAL SHEETS	SHEET NO.	
p:\11dot-pw.bentley.com\PWIDOT\Documents\11DOT Offices\District 1\Projects\DI12723\CADD\Drawings\1112723-sht-plan.dgn						VAR	2023 VAR FENCE	VARIOUS	21	11	
Default	PLOT SCALE = 100.0000' / in.	CHECKED -	REVISED -			CONTRACT NO. 62U94					
	PLOT DATE = 5/17/2023	DATE -	REVISED -			SCALE:	SHEET	OF	SHEETS	STA.	TO

ILLINOIS FED. AID PROJECT



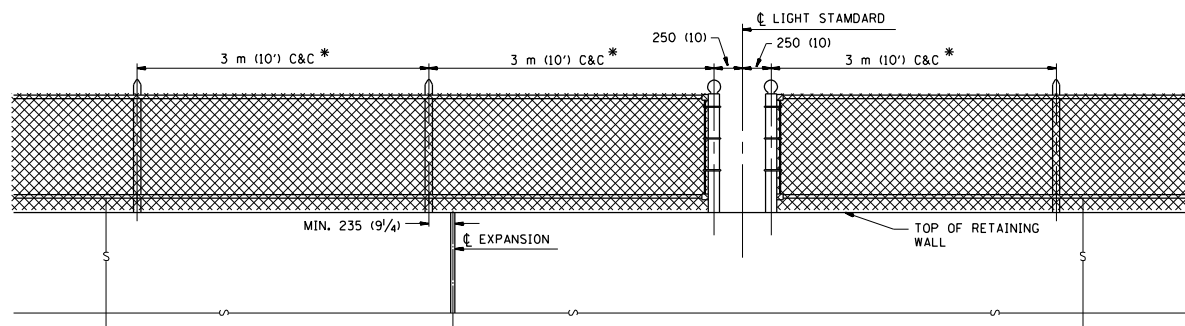
DISTRICT NO. 1 MAINTENANCE DESIGNATIONS

- VARIOUS COLORS STATE HIGHWAYS & EXPRESSWAYS
- TOLLWAY
- CITY MAINTENANCE AGREEMENTS
- FUTURE HIGHWAYS
- VARIOUS AGENCIES HIGHWAYS

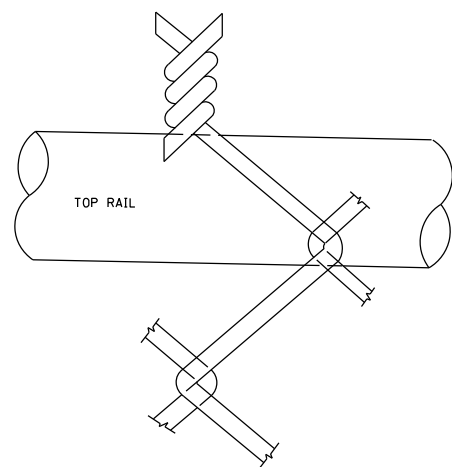
FILE NAME =	USER NAME = rodrigo.ledezma	DESIGNED -	REVISED -	STATE OF ILLINOIS DEPARTMENT OF TRANSPORTATION	GUARDRAIL REPAIR LOCATION MAP McHENRY COUNTY	F.A. RTE.	SECTION	COUNTY	TOTAL SHEETS	SHEET NO.	
pw:\idot-pw\bentley.com\PWIDOT\Documents\IDOT Offices\District 1\Projects\DI12723\CADD\Drawings\B112723-sht-plan.dgn		DRAWN -	REVISED -			VAR.	2023 VAR FENCE	VARIOUS	21	12	
PLOT SCALE = 100.0000' / in.		CHECKED -	REVISED -			CONTRACT NO. 62U94					
PLOT DATE = 5/17/2023		DATE -	REVISED -			FED. ROAD DIST. NO. ILLINOIS FED. AID PROJECT					
						SCALE:	SHEET NO.	OF SHEETS	STA.	TO STA.	

NOTE

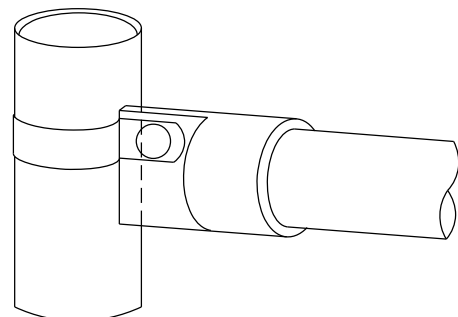
* MAXIMUM POST SPACING SHALL BE 3 m (10') C&C EXCEPT WHERE OTHERWISE SHOWN ON PLANS



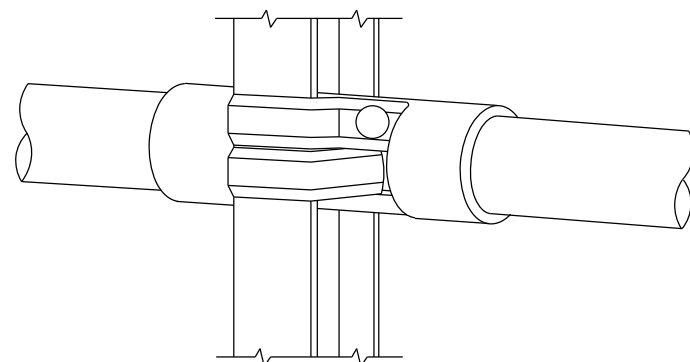
ELEVATION VIEW OF RETAINING WALL WITH PEDESTRIAN BARRIER TYPE III



WIRE MESH FABRIC TO BE BARBED AT THE TOP

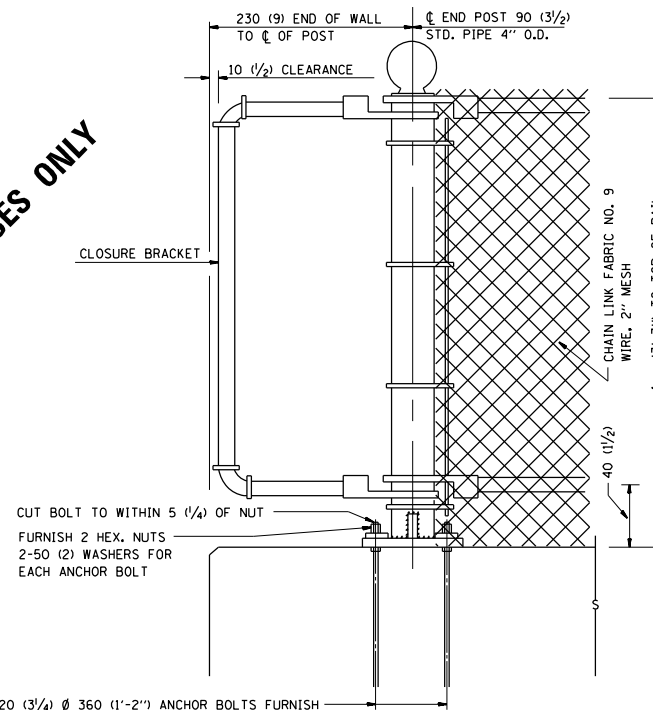


RAIL FITTING AT END POSTS



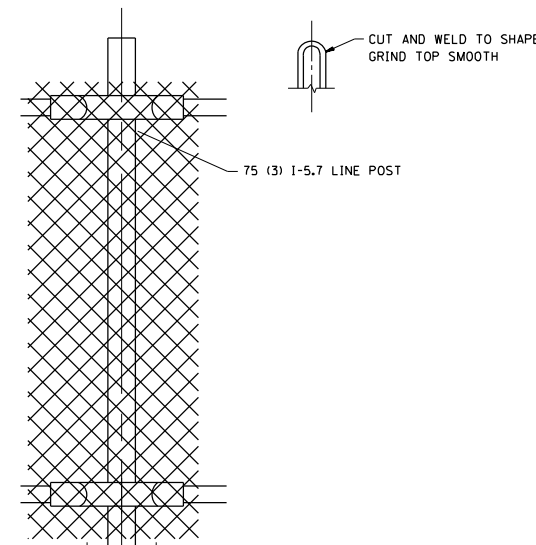
RAIL FITTING ON SECTION LINE POST

FOR INFORMATIONAL PURPOSES ONLY

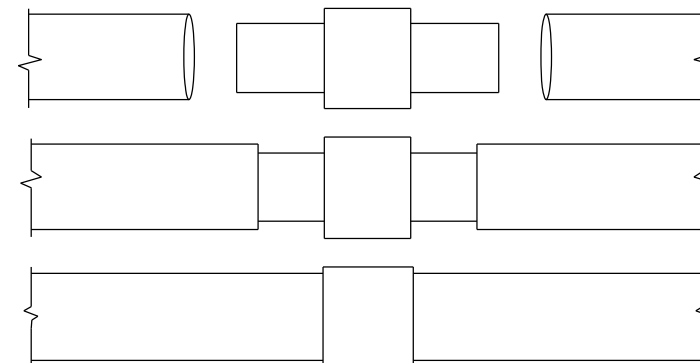


END POST

NOTE:
THE COST OF FURNISHING ANCHOR BOLTS, NUTS, & WASHERS TO BE INCIDENTAL

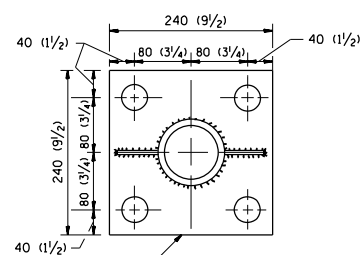


LINE POST



EXPANSION COUPLING DETAIL

NOTE:
EXP. COUPLING TO APPEAR IN TOP AND BOTTOM RAILS WHERE EVER EXP. JT. APPEARS IN STRUCTURE.



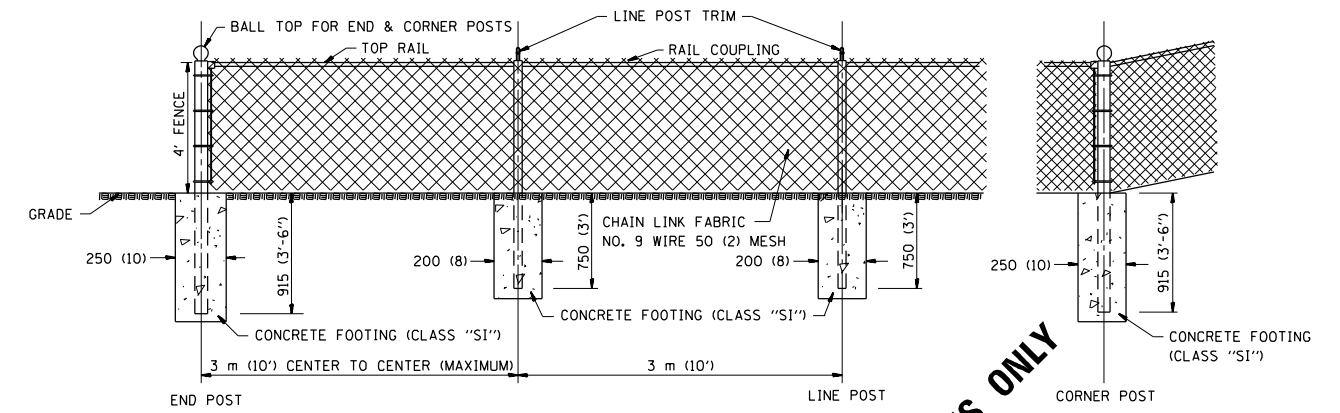
240 (9 1/2) X 80 (3 1/4) X 240 (9 1/2) BASE PLATE
4-30 (1 1/4) Ø HOLES FOR END CL LINE POSTS

ANCHOR PLATE DETAILS

NOTE:
POST, PLATE AND GUSSET ASSEMBLY SHALL BE GALVANIZED AFTER ALL CUTTING, DRILLING, WELDING, AND FABRICATION HAVE BEEN COMPLETED. THE GALVANIZED COATING SHALL CONFORM TO THE REQUIREMENTS OF AASHTO M 120. THE GALVANIZED COATING SHALL NOT BE LESS THAN 610 G/SO M (2.0 OZ./SQ. FT.) OF SURFACE.

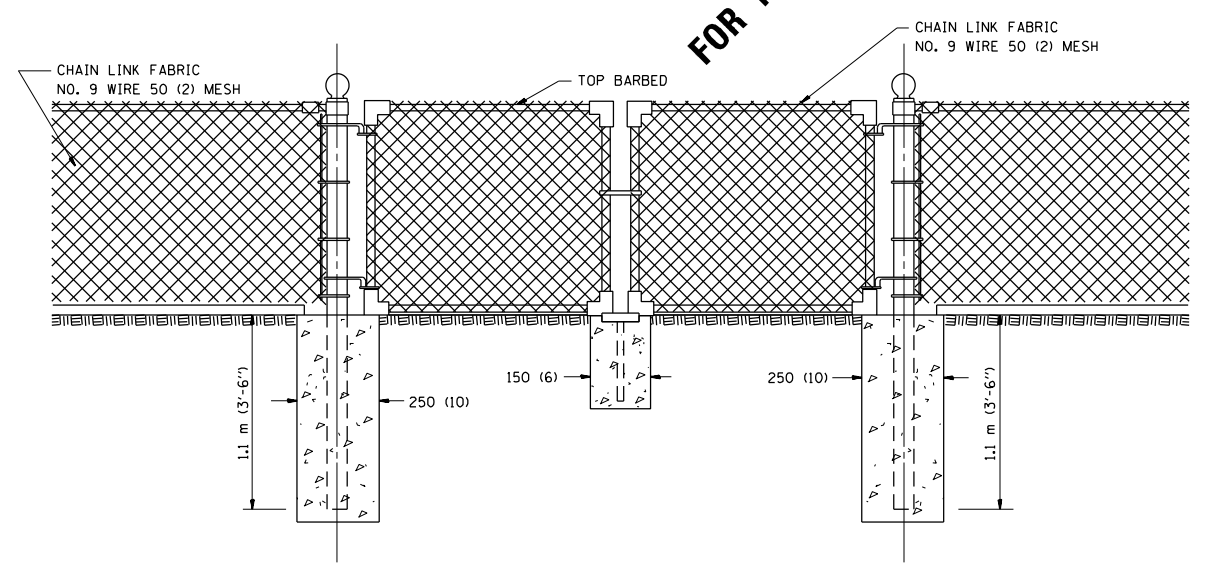
ALL DIMENSIONS ARE IN MILLIMETERS (INCHES) UNLESS OTHERWISE SHOWN.

FILE NAME =	USER NAME = rodrigo.ledezma	DESIGNED -	REVISED -	STATE OF ILLINOIS DEPARTMENT OF TRANSPORTATION	PEDESTRIAN BARRIER TYPE III STD. 10-SS-514 R				F.A. RTE.	SECTION	COUNTY	TOTAL SHEETS	SHEET NO.
pw:\idot-pw.bentley.com\PWIDOT\Documents\IDOT Offices\District 1\Projects\DI12723\CAD\Design\B112723-sht-plan.dgn		DRAWN -	REVISED -						VAR	2023 VAR FENCE	VARIOUS	21	13
PLOT SCALE = 100.0000' / 1in.		CHECKED -	REVISED -		CONTRACT NO. 62U94								
PLOT DATE = 5/17/2023		DATE -	REVISED -		FED. ROAD DIST. NO. ILLINOIS FED. AID PROJECT								



CHAIN LINK FENCE

FOR INFORMATIONAL PURPOSES ONLY



DRIVE GATE 1 m (3'-7") X 3 m (10')

ALL DIMENSIONS ARE IN MILLIMETERS (INCHES) UNLESS OTHERWISE SHOWN.

NOTE:
 THE CHAIN LINK FENCE AS SHOWN HEREIN SHALL BE CONSTRUCTED AT SUCH LOCATIONS AS SHOWN ON PLANS AND IN ACCORDANCE WITH THE SPECIAL PROVISIONS
 THE ENGINEER SHALL ESTABLISH ALL NECESSARY LINE AND GRADE PRIOR TO THE ERECTION OF THE FENCE IN CONFORMANCE WITH THE PLANS

FILE NAME =	USER NAME = rodrigo.ledezma	DESIGNED -	REVISED -
p:\dot-pw.bentley.com\PWIDOT\Documents\IDOT Offices\District 1\Projects\DI12723\CAD\Design\B112723-sht-plan.dgn		DRAWN	REVISED -
PLOT SCALE = 100.0000' / in.	CHECKED -	REVISED -	REVISED -
PLOT DATE = 5/17/2023	DATE -	REVISED -	REVISED -

STATE OF ILLINOIS
 DEPARTMENT OF TRANSPORTATION

CHAIN LINK FENCE
 STD. 10-SS-506 B

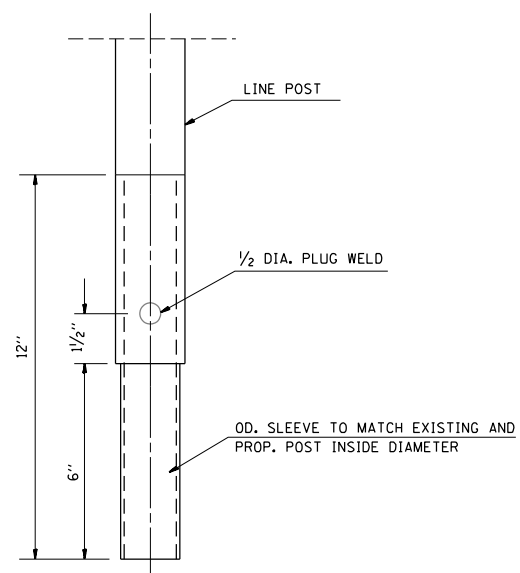
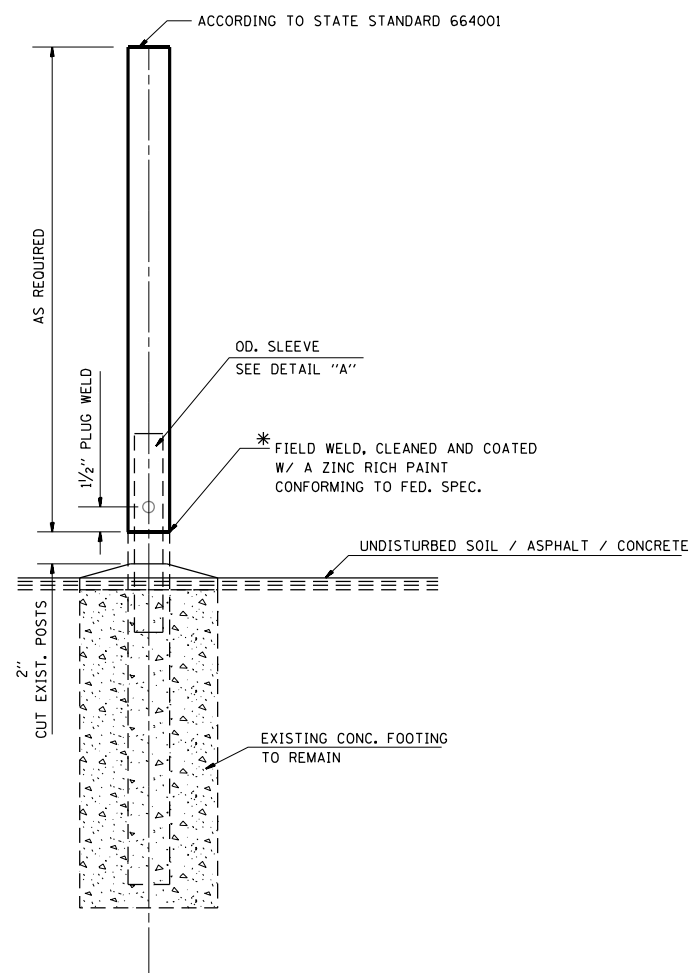
SCALE:	SHEET NO.	OF SHEETS	STA.	TO STA.
--------	-----------	-----------	------	---------

F.A. RTE.	SECTION	COUNTY	TOTAL SHEETS	SHEET NO.
VAR	2023 VAR FENCE	VARIOUS	21	14
FED. ROAD DIST. NO.			ILLINOIS FED. AID PROJECT	
			CONTRACT NO. 62U94	

GENERAL NOTES:

THIS WORK CONSISTS OF FURNISHING ALL LABOR, MATERIALS, TOOLS AND EQUIPMENT TO REPAIR CHAIN LINK FENCE POST SLEEVE AS SHOWN ON THE PLANS OR AS DIRECTED BY THE ENGINEER, AND IN ACCORDANCE WITH STATE STANDARD 664001.

BASIS OF PAVEMENT: THIS WORK SHALL BE PAID FOR AT THE CONTRACT UNIT PRICE EACH FOR "CHAIN LINK FENCE POST SLEEVE REPAIR" WHICH PRICE SHALL BE PAYMENT IN FULL TO COMPLETE THE WORK AS SPECIFIED HEREIN.



SLEEVE DET. DWG
DETAIL "A"
SLEEVE DETAIL

* THIS WORK SHALL BE INCLUDED IN THE COST OF THE PAY ITEM "CHAIN LINK FENCE POST SLEEVE REPAIR"

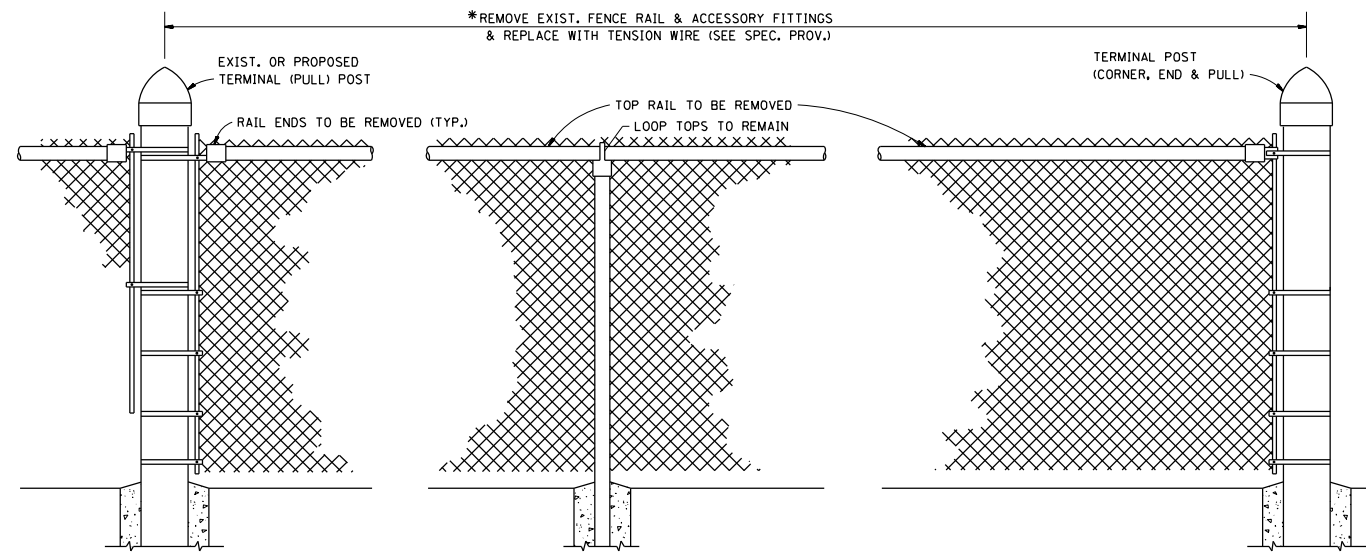
FILE NAME =	USER NAME = rodrigo.ledezma	DESIGNED -	REVISED -
p:\1\1dot-pw.bentley.com\PWIDOT\Documents\1\1dot-pw.bentley.com\Projects\112723\CAD\112723-sht-plan.dgn		DRAWN -	REVISED -
PLOT SCALE = 100.0000' / in.		CHECKED -	REVISED -
PLOT DATE = 5/17/2023		DATE -	REVISED -

**STATE OF ILLINOIS
DEPARTMENT OF TRANSPORTATION**

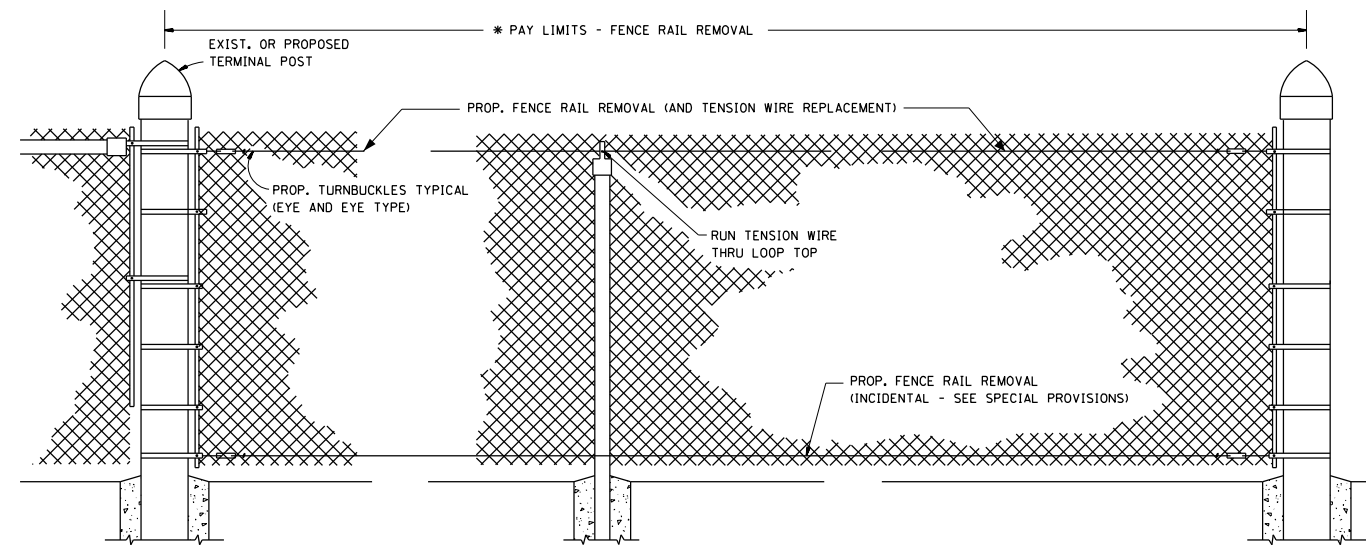
**CHAIN LINK FENCE POST SLEEVE
REPAIR DETAIL**

SCALE: SHEET NO. OF SHEETS STA. TO STA.

F.A. RTE.	SECTION	COUNTY	TOTAL SHEETS	SHEET NO.
VAR	2023 VAR FENCE	VARIOUS	21	15
FED. ROAD DIST. NO.			ILLINOIS FED. AID PROJECT	
			CONTRACT NO. 62U94	



EXIST. CHAIN LINK FENCE WITH TOP RAIL



PROP. CHAIN LINK FENCE WITH "FENCE RAIL REMOVAL"

* THE ENGINEER IN CHARGE SHALL DETERMINE THE LENGTH OF FENCE RAIL TO BE REMOVED & REPLACED WITH "TENSION WIRE"

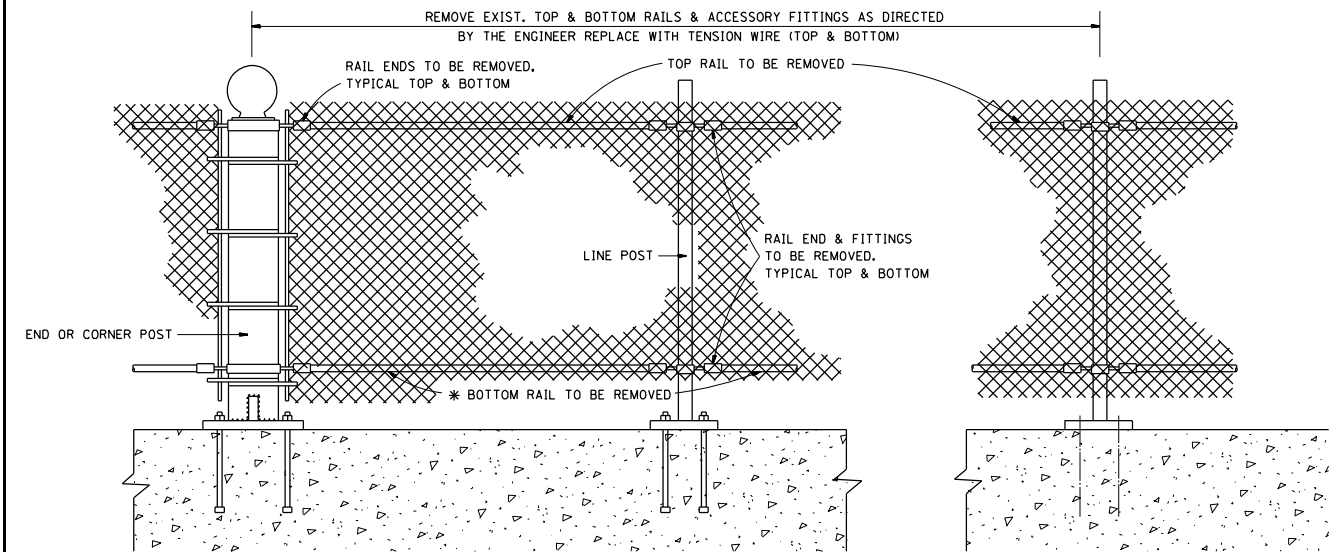
GENERAL NOTES

FENCE RAIL REMOVAL: THIS ITEM CONSISTS OF REMOVING EXISTING TOP OR BOTTOM RAIL, (DAMAGED OR UNDAMAGED) AND REPLACING WITH TENSION WIRE. BOTTOM TENSION WIRE SHALL BE CONSIDERED INCIDENTAL EXCEPT AT LOCATIONS OF EXISTING BOTTOM RAIL REMOVAL.

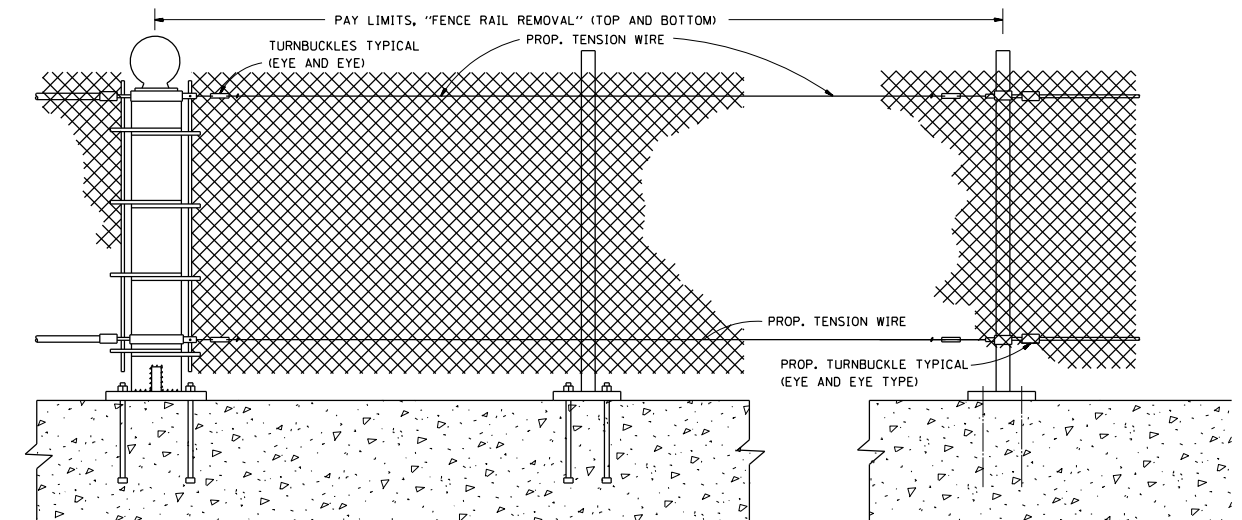
TENSION WIRE: THIS ITEM CONSISTS OF INSTALLING TENSION WIRE, TOP OR BOTTOM, WHERE TOP OR BOTTOM RAIL IS NON-EXISTENT, OR WHERE EXISTING DAMAGED TENSION WIRE IS REMOVED AND REPLACED BY NEW TENSION WIRE.

ALL WORK AND MATERIALS SHALL BE IN ACCORDANCE WITH THE PLANS, SPECIAL PROVISIONS, STANDARD SPECIFICATIONS AND STANDARD 664001.

REPLACEMENT OF OTHER FENCE COMPONENT PARTS SHALL BE MEASURED AND PAID FOR SEPARATELY AS DESCRIBED IN THE SPECIAL PROVISIONS.



EXIST. PEDESTRIAN BARRIER TYPE 3 WITH TOP AND BOTTOM RAILS



PROP. PEDESTRIAN BARRIER TYPE 3 WITH FENCE RAIL REMOVAL

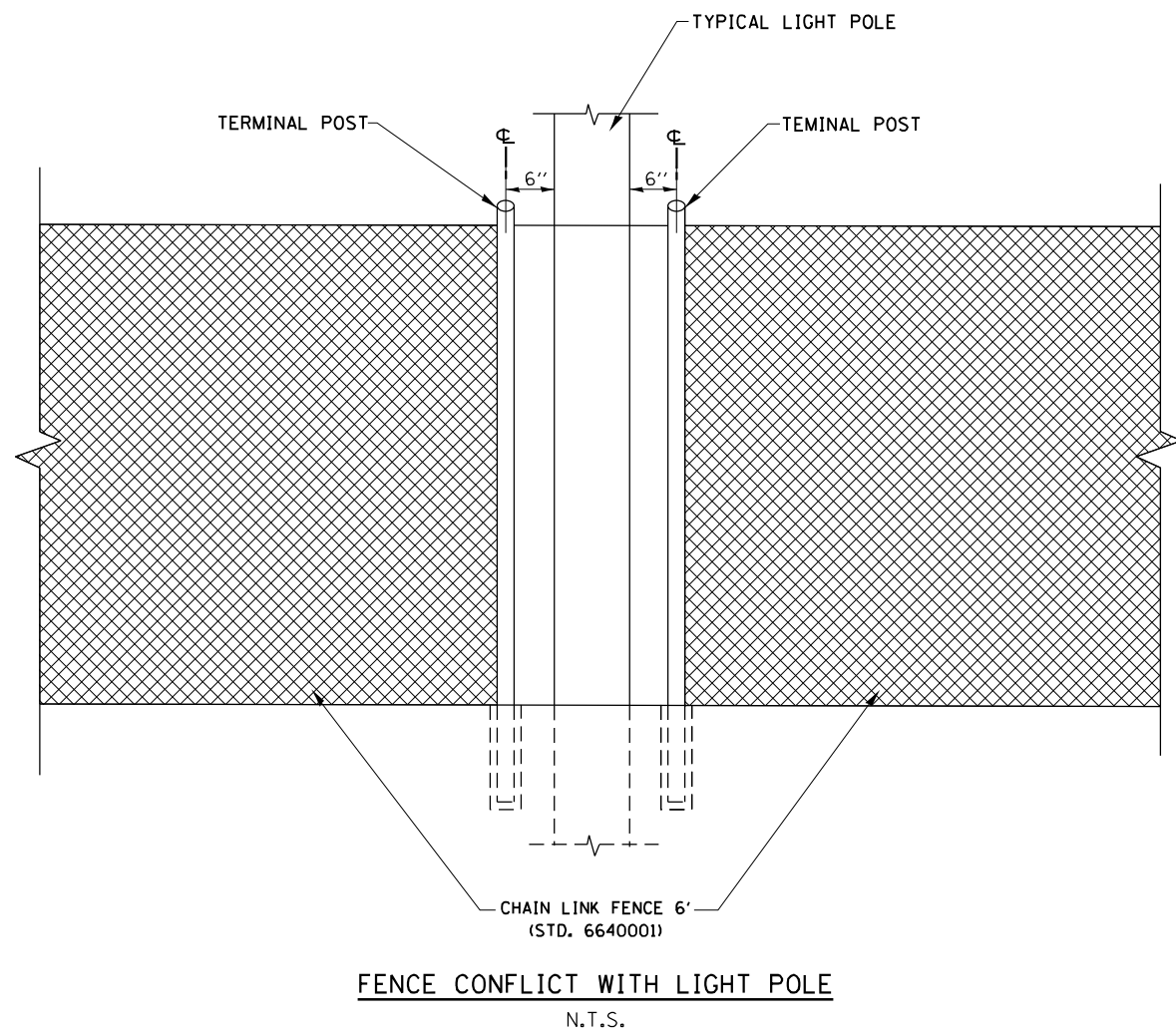
ALL DIMENSIONS ARE IN MILLIMETERS (INCHES) UNLESS OTHERWISE SHOWN.

FILE NAME =	USER NAME = rodrigo.ledezma	DESIGNED -	REVISED -
p:\dot-pw.bentley.com\PWIDOT\Documents\DOT Offices\District 1\Projects\0112723\CADD\Design\0112723-sht-plan.dgn		DRAWN -	REVISED -
		CHECKED -	REVISED -
		DATE -	REVISED -

STATE OF ILLINOIS
DEPARTMENT OF TRANSPORTATION

PROPOSED PEDESTRIAN BARRIER AND CHAIN LINK FENCE WITH TENSION WIRE AND FENCE RAIL REMOVAL			
SCALE:	SHEET NO.	OF SHEETS	STA. TO STA.

F.A. RTE.	SECTION	COUNTY	TOTAL SHEETS	SHEET NO.
VAR	2023 VAR FENCE	VARIOUS	21	16
CONTRACT NO. 62U94				
FED. ROAD DIST. NO. ILLINOIS FED. AID PROJECT				



GALVANIZED POSTS SHALL CONFORM TO THE REQUIREMENTS OF STANDARD 864001 POSTS UTILIZED IN THE REPAIR WORK SHALL BE THE SAME TYPE SHAPE AS POSTS ADJACENT TO THE REPAIR AREA UNLESS OTHERWISE DIRECTED BY THE ENGINEER. NO USED MATERIALS WILL BE PERMITTED.

REMOVAL OF EXISTING FENCE POSTS BY DRILLING OR CORING AND GROUTING A NEW FENCE POST (LINE TERMINAL, END CORNER AND GATE) IN ACCORDANCE WITH THE APPLICABLE PORTIONS OF SECTIONS 664 AND 1025 OF THE STANDARD SPECIFICATIONS.

EXISTING LOCATION POST MUST BE USED. NO NEW POST HOLES WILL BE ALLOWED.

EXIST. CONC. POST FOUNDATION

EXIST. CONC. PAD

1/4" - 1/2" MIN.

POST REMOVAL AND REPLACEMENT SHALL BE FULL DEPTH.

POST REMOVAL AND REPLACEMENT

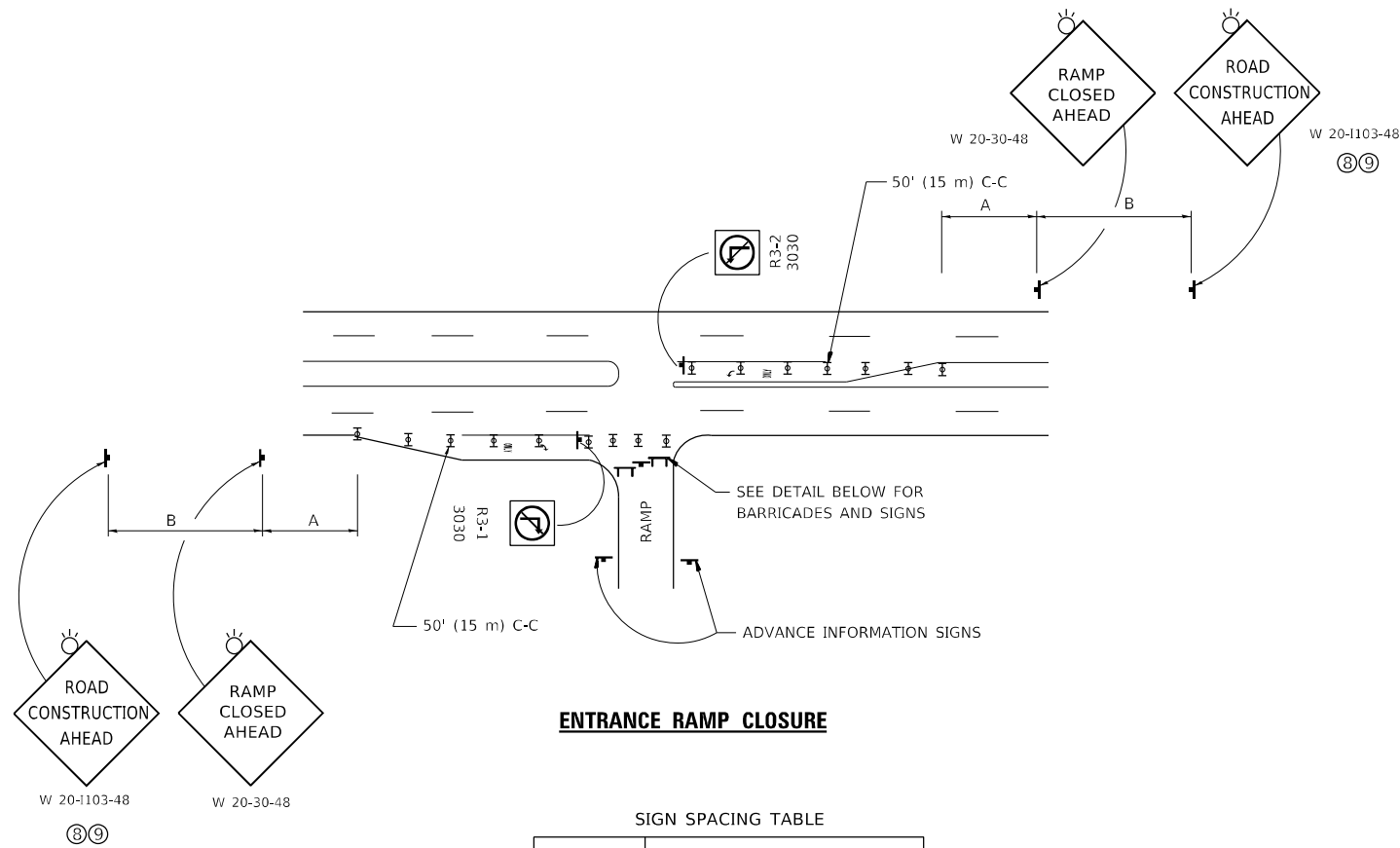
FILE NAME =	USER NAME = rodrigo.ledezma	DESIGNED -	REVISED -
p:\11dot-pw.bentley.com\PWIDOT\Documents\11DOT Offices\District 1\Projects\DI12723\CAD\DRAWING\B112723-sht-plan.dgn		DRAWN -	REVISED -
Default	PLOT SCALE = 100.0000' / 1in.	CHECKED -	REVISED -
	PLOT DATE = 5/17/2023	DATE -	REVISED -

**STATE OF ILLINOIS
DEPARTMENT OF TRANSPORTATION**

SPECIAL FENCE DETAILS

SCALE: SHEET OF SHEETS STA. TO STA.

F.A. RTE.	SECTION	COUNTY	TOTAL SHEETS	SHEET NO.
VAR	2023 VAR FENCE	VARIOUS	21	17
			CONTRACT NO. 62U94	
ILLINOIS FED. AID PROJECT				

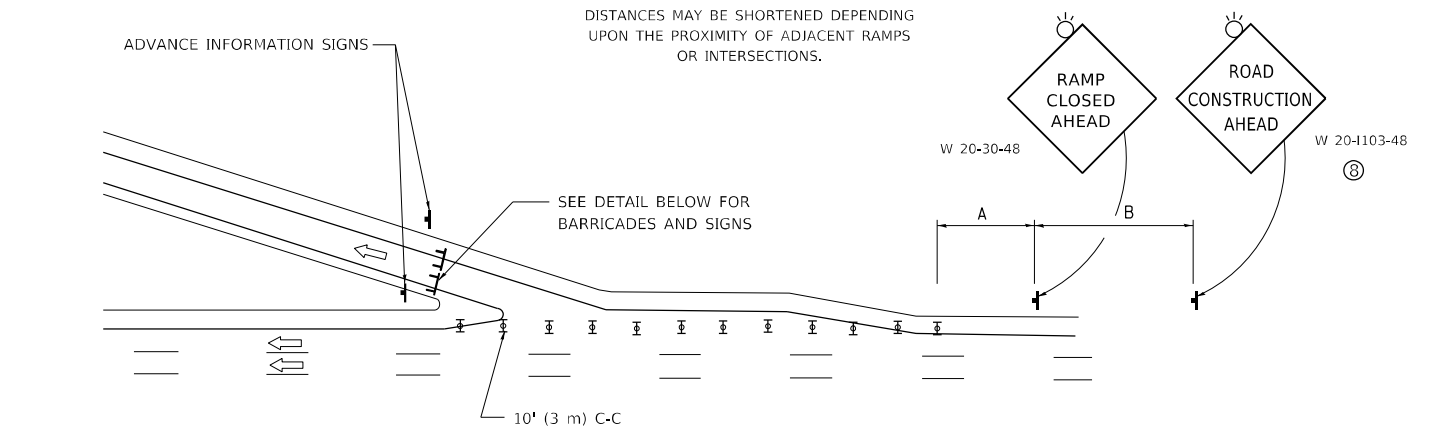


ENTRANCE RAMP CLOSURE

SIGN SPACING TABLE

FACILITY	DISTANCE BETWEEN SIGNS	
	A	B
EXPRESSWAY >24 HOURS	1000' (300 m)	1500' (450 m)
EXPRESSWAY ≤24 HOURS	500' (150 m)	500' (150 m)
ARTERIAL 55 MPH	500' (150 m)	500' (150 m)
ARTERIAL 50-45 MPH	350' (100 m)	350' (100 m)
ARTERIAL <45 MPH	200' (60 m)	200' (60 m)

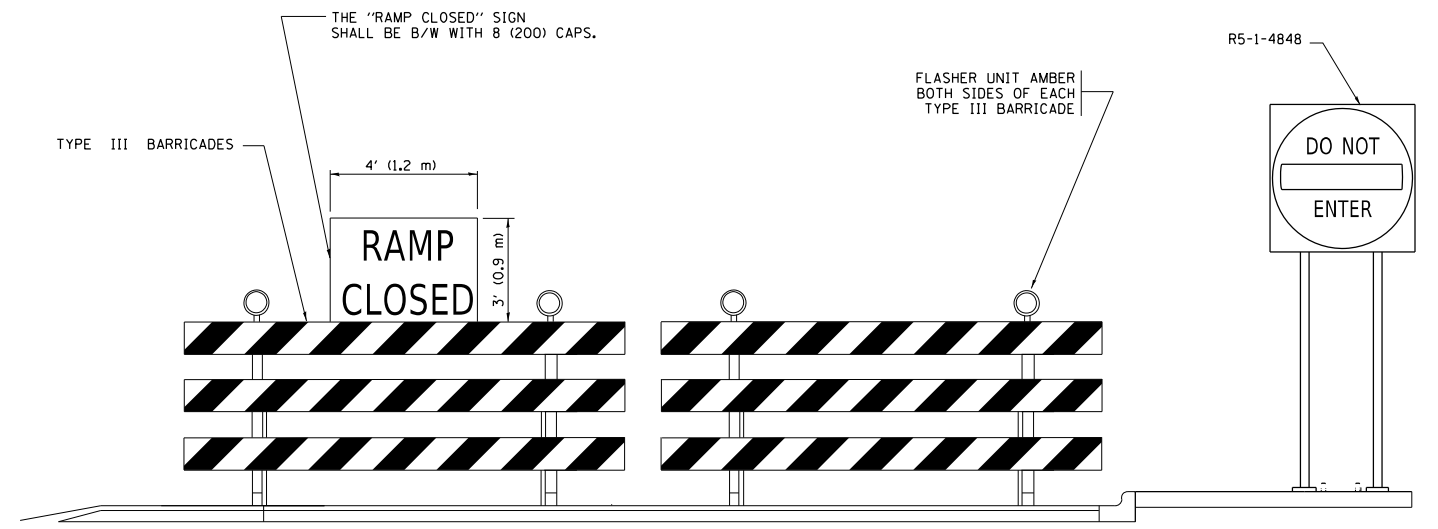
DISTANCES MAY BE SHORTENED DEPENDING UPON THE PROXIMITY OF ADJACENT RAMPS OR INTERSECTIONS.



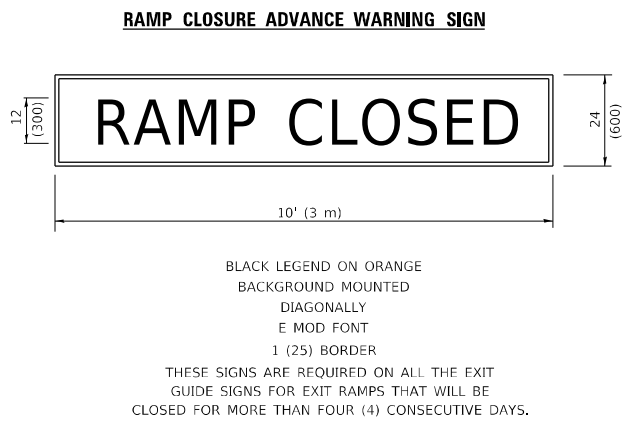
EXIT RAMP CLOSURE

SYMBOLS

- ⊥ TYPE II BARRICADE OR DRUM
- ⊥ TYPE III BARRICADE WITH 2 FLASHING LIGHTS

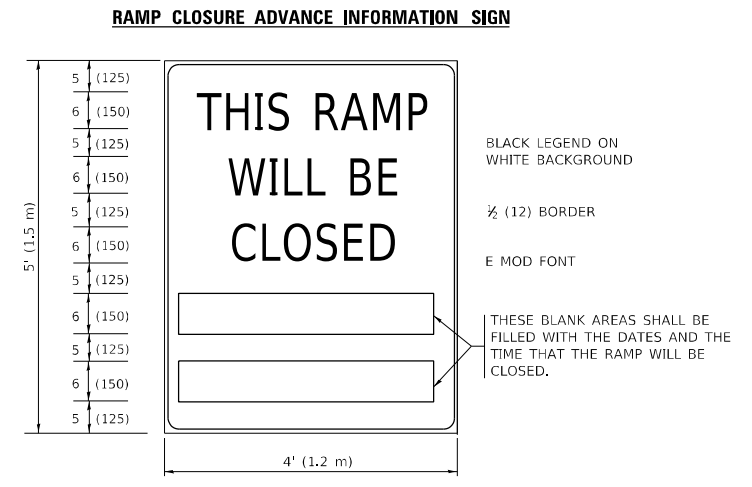


DETAIL FOR REQUIRED BARRICADES & SIGNS



RAMP CLOSURE ADVANCE WARNING SIGN

BLACK LEGEND ON ORANGE BACKGROUND MOUNTED DIAGONALLY
E MOD FONT
1 (25) BORDER
THESE SIGNS ARE REQUIRED ON ALL THE EXIT GUIDE SIGNS FOR EXIT RAMPS THAT WILL BE CLOSED FOR MORE THAN FOUR (4) CONSECUTIVE DAYS.



RAMP CLOSURE ADVANCE INFORMATION SIGN

BLACK LEGEND ON WHITE BACKGROUND
1/2 (12) BORDER
E MOD FONT
THESE BLANK AREAS SHALL BE FILLED WITH THE DATES AND THE TIME THAT THE RAMP WILL BE CLOSED.

THESE SIGNS ARE REQUIRED ON BOTH SIDES OF THE RAMP, MINIMUM OF 1 WEEK IN ADVANCE OF THE CLOSURE.
THESE SIGNS SHALL BE FABRICATED AND PAID FOR ACCORDING TO THE TEMPORARY INFORMATION SIGNING SPECIAL PROVISION

GENERAL NOTES:

- ① CONES MAY BE SUBSTITUTED FOR DRUMS OR TYPE II BARRICADES DURING DAY OPERATIONS. CONES SHALL BE A MINIMUM OF 28 (700) HIGH.
- ② VERTICAL BARRICADES SHALL NOT BE USED FOR RAMP CLOSURES.
- ③ A FLAGGER SHALL BE POSITIONED AT EACH CLOSED RAMP THAT IS OPEN TO CONSTRUCTION VEHICLES, PRECEDED BY A W20-7 FLAGGER WARNING SIGN.
- ④ ALL ROUTE MARKERS AND TRAILBLAZER ASSEMBLIES WHICH DIRECT MOTORISTS TO A CLOSED ENTRANCE RAMP SHALL BE COVERED WHEN THE RAMP IS CLOSED FOR MORE THAN FOUR (4) DAYS.
- ⑤ THE SIGNING AND BARRICADING WHICH IS REQUIRED BY THIS DETAIL SHALL BE INCLUDED IN THE COST OF TRAFFIC CONTROL AND PROTECTION (EXPRESSWAYS).
- ⑥ AUTHORIZATION FROM THE DISTRICT'S BUREAU OF TRAFFIC IS REQUIRED FOR ALL RAMP CLOSURES.
- ⑦ THE RAMP CLOSURE ADVANCE INFORMATION SIGNS SHALL BE ERECTED IF THE CLOSURE TIME EXCEEDS TWENTY-FOUR (24) HOURS. ADDITIONAL ADVANCE WARNING SIGNS ON EXIT GUIDE SIGNING WILL BE REQUIRED FOR EXIT RAMP CLOSURES THAT EXCEED FOUR (4) DAYS IN LENGTH.
- ⑧ ROAD CONSTRUCTION AHEAD SIGNS MAY BE OMITTED WHEN THIS DETAIL IS USED IN CONJUNCTION WITH OTHER TRAFFIC CONTROL THAT ALREADY INCLUDES A ROAD CONSTRUCTION AHEAD SIGN.
- ⑨ ARTERIAL ROAD CONSTRUCTION AHEAD SIGNS SHALL BE INSTALLED ON THE LEFT SIDE OF TRAFFIC IF THE MEDIAN IS MORE THAN 10 FT WIDE.

ALL DIMENSIONS ARE IN INCHES (MILLIMETERS) UNLESS OTHERWISE SHOWN.

MODEL: Default
FILE NAME: p:\project-new\bea\paw.com\p\INDOT\Documents\DOT Office\Drawings\112723\CADD\Drawings\Design\BRTS\Std.dgn
PROJECT ID: 112723

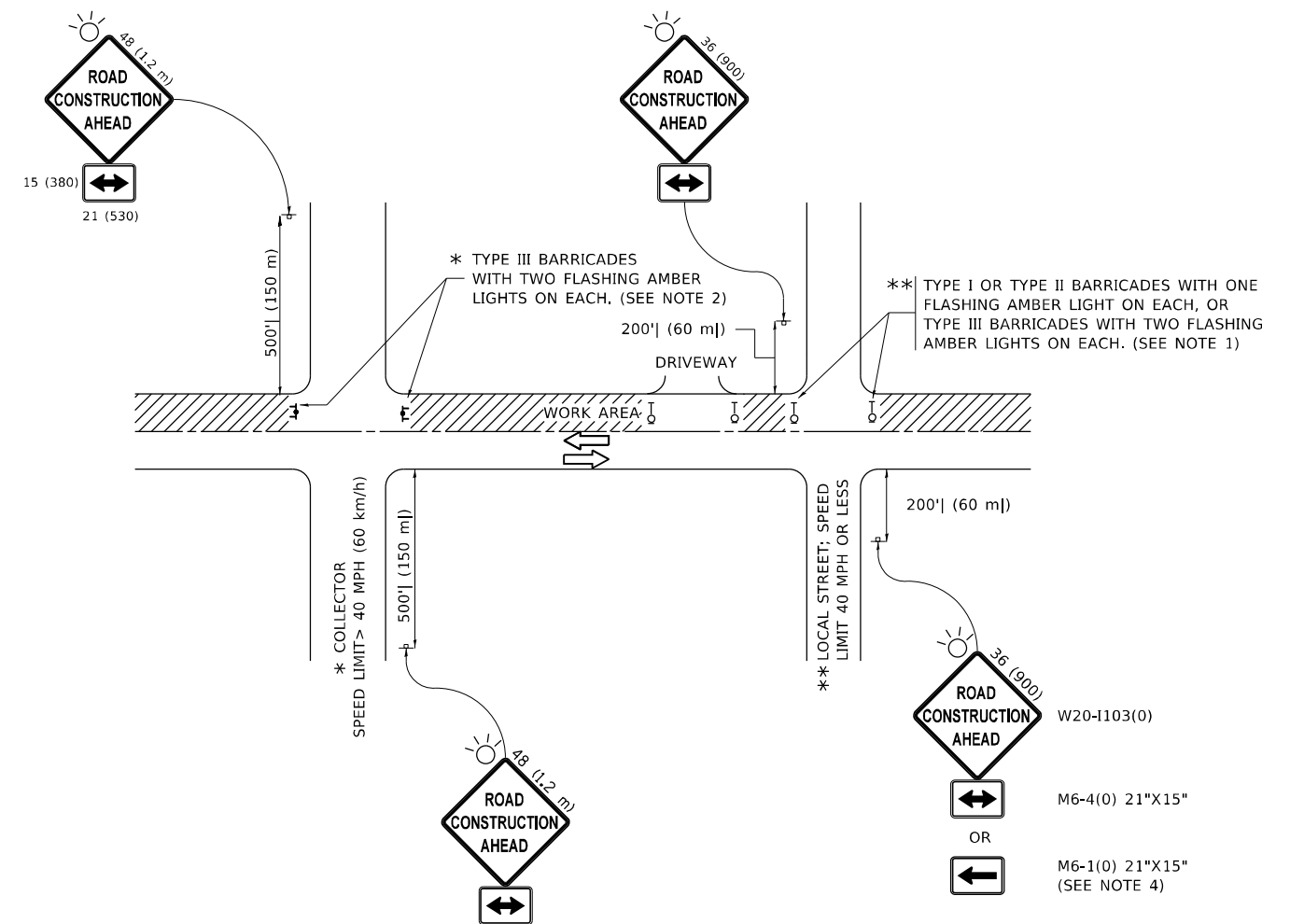
USER NAME = rodrigo.ledezma	DESIGNED - D.W.S.	REVISED - S.P.B._01-07
PLOT SCALE = 100,0000' / in.	CHECKED -	REVISED - S.P.B._12-09
PLOT DATE = 5/17/2023	DATE - 02-83	REVISED - M.D._06-13
		REVISED - M.D._01-18

**STATE OF ILLINOIS
DEPARTMENT OF TRANSPORTATION**

**ENTRANCE_AND_EXIT_RAMP
CLOSURE_DETAILS**

SCALE: NONE SHEET 1 OF 1 SHEETS STA. TO STA.

F.A. RTE.	SECTION	COUNTY	TOTAL SHEETS	SHEET NO.
VAR	2023 VAR FENCE	VARIOUS	21	18
TC-08		CONTRACT NO. 62U94		
ILLINOIS		FED. AID PROJECT		



NOTES:

1. SIDE ROAD WITH A SPEED LIMIT OF 40 MPH (60 km/h) OR LESS AS SHOWN ON THE DRAWING AND AS DIRECTED BY THE ENGINEER:
 - a) ONE "ROAD CONSTRUCTION AHEAD" SIGN 36 x 36 (900x900) WITH A FLASHER MOUNTED ON IT APPROXIMATELY 200' (60 m) IN ADVANCE OF THE MAIN ROUTE.
 - b) THE CLOSED PORTION OF THE MAIN ROUTE SHALL BE PROTECTED BY BLOCKING WITH TYPE I, TYPE II OR TYPE III BARRICADES, 1/3 OF THE CROSS SECTION OF THE CLOSED PORTION.
2. SIDE ROAD WITH A SPEED LIMIT GREATER THAN 40 MPH (60 km/h) AS SHOWN ON THE DRAWING AND AS DIRECTED BY THE ENGINEER:
 - a) ONE "ROAD CONSTRUCTION AHEAD" SIGN 48 x 48 (1.2 m x 1.2 m) WITH A FLASHER MOUNTED ON IT APPROXIMATELY 500' (150 m) IN ADVANCE OF THE MAIN ROUTE.
THE CLOSED PORTION OF THE MAIN ROUTE SHALL BE PROTECTED BY BLOCKING WITH TYPE III BARRICADES, 1/2 OF THE CROSS SECTION OF THE CLOSED PORTION.
 - b) BLOCKING WITH TYPE III BARRICADES, 1/2 OF THE CROSS SECTION OF THE CLOSED PORTION.
3. CONES MAY BE SUBSTITUTED FOR BARRICADES OR DRUMS AT HALF THE SPACING DURING DAY OPERATIONS. CONES SHALL BE A MINIMUM OF 28 (710) IN HEIGHT.
4. SIGNING AND THE WORK ZONE, A SINGLE HEADED ARROW (M6-1) SHALL BE USED IN LIEU OF THE DOUBLE HEADED ARROW (M6-4).
5. WHEN WORK IS BEING PERFORMED ON A SIDE ROAD OR DRIVEWAY, FOLLOW THE APPLICABLE STANDARD(S). THE DIRECTIONAL ARROW (M6-1 OR M6-4) SHALL BE COVERED OR REMOVED WHEN NO LONGER CONSISTENT WITH THE TRAFFIC CONTROL SET-UP.
6. ADVANCE WARNING SIGNS ARE TO BE OMITTED ON DRIVEWAYS UNLESS OTHERWISE SPECIFIED IN THE PLANS OR BY THE ENGINEER.
7. THE TRAFFIC CONTROL AND PROTECTION FOR SIDE ROADS, INTERSECTIONS, AND DRIVEWAYS SHALL BE INCLUDED IN THE COST OF SPECIFIED TRAFFIC CONTROL STANDARDS OR ITEMS.

All dimensions are in inches (millimeters) unless otherwise shown.

MODEL: Default
 FILE NAME: p:\ultra-caw-beach\paw.com\PIV\DOT\Documents\DOT Office\Dir\rdet -\Project\112723\CADD\DATA\Design\BATS\Std.dgn

USER NAME = rodrigo.ledezma	DESIGNED - L.H.A.	REVISED - A. HOUSEH 10-15-96
PLOT SCALE = 100,0000 ' / in.	CHECKED -	REVISED - T. RAMMACHER 01-06-00
PLOT DATE = 5/17/2023	DATE - 06-89	REVISED - A. SCHUETZE 07-01-13
		REVISED - A. SCHUETZE 09-15-16

**STATE OF ILLINOIS
DEPARTMENT OF TRANSPORTATION**

**TRAFFIC CONTROL AND PROTECTION FOR
SIDE ROADS, INTERSECTIONS, AND DRIVEWAYS**

SCALE: NONE SHEET 1 OF 1 SHEETS STA. TO STA.

F.A. RTE.	SECTION	COUNTY	TOTAL SHEETS	SHEET NO.
VAR	2023 VAR FENCE	VARIOUS	21	19
TC-10			CONTRACT NO. 62U94	
ILLINOIS FED. AID PROJECT				

TURN BAY ENTRANCE AT START OF LANE CLOSURE TAPER

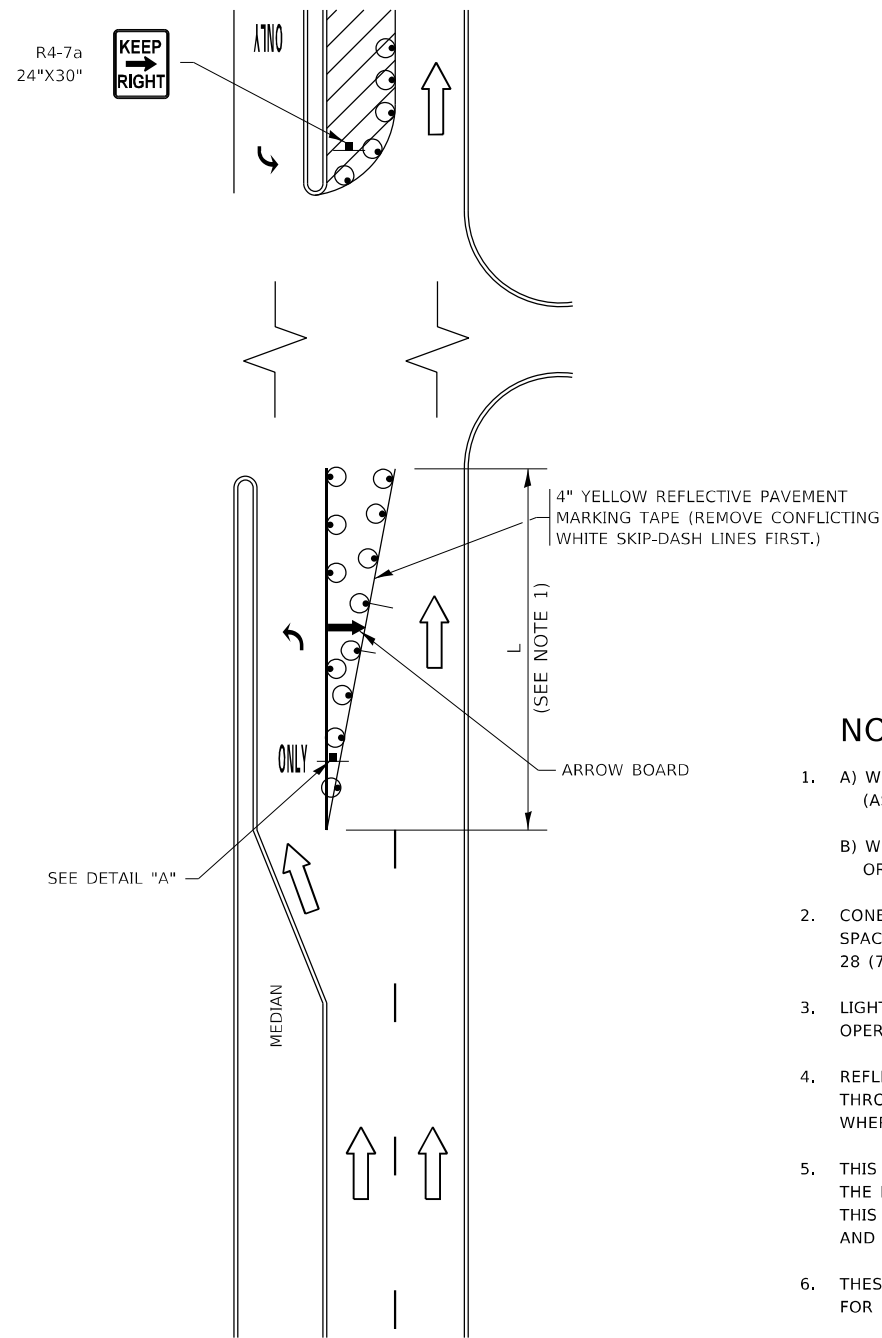


FIGURE 1

TURN BAY ENTRANCE WITHIN A LANE CLOSURE

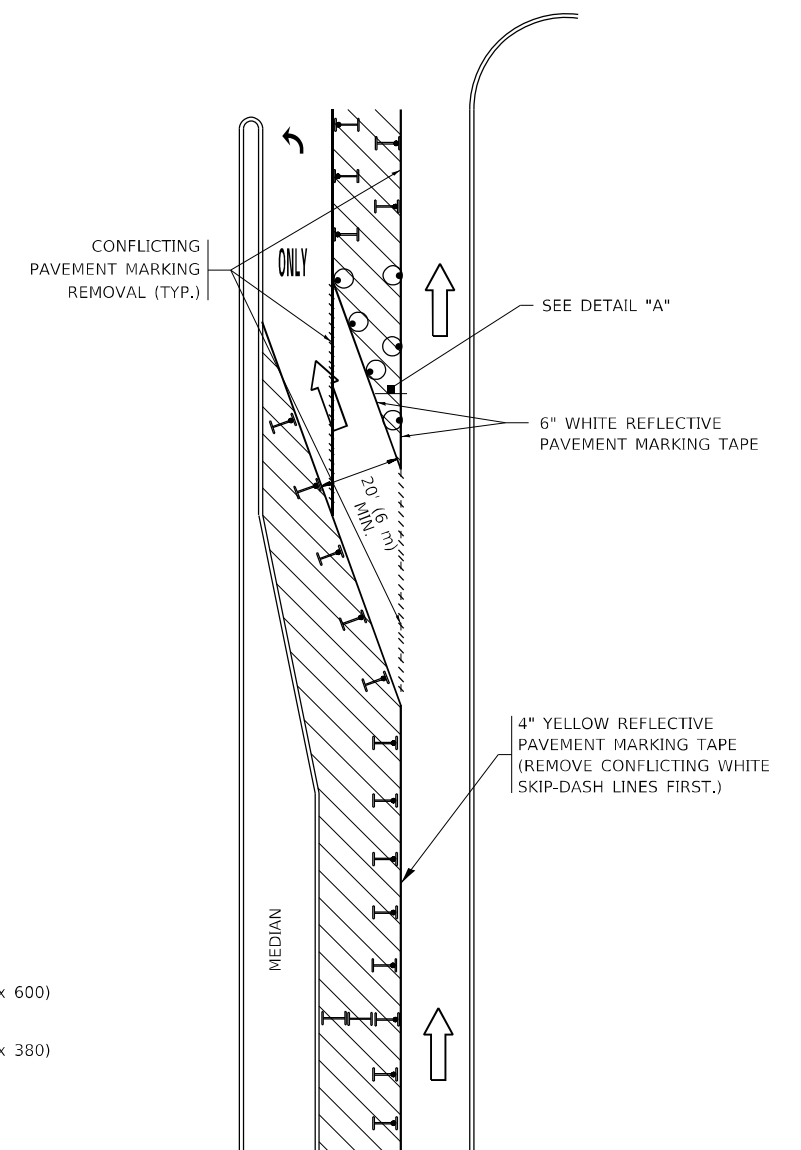


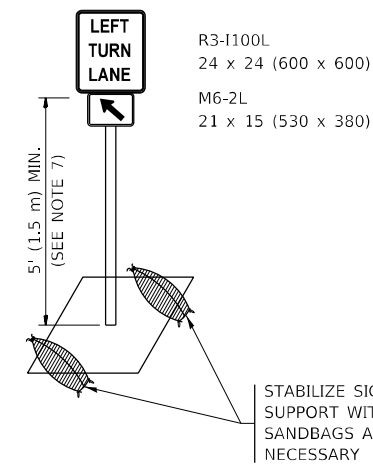
FIGURE 2

LEGEND

- WORK AREA
- LANE OPEN TO TRAFFIC
- ARROW BOARD
- TYPE I OR II BARRICADE OR DRUM WITH STEADY BURN LIGHT
- DRUM WITH STEADY BURN LIGHT
- SIGN ASSEMBLY
- TYPE I OR II CHECK BARRICADE WITH FLASHING LIGHT

NOTES:

1. A) WHEN "L" IS \leq THE STORAGE LENGTH OF THE TURN LANE (AS SHOWN IN FIG. 1), USE FIGURE 1.
B) WHEN "L" IS $>$ THE STORAGE LENGTH OF THE TURN LANE OR THE TURN LANE IS WITHIN THE LANE CLOSURE, USE FIGURE 2.
2. CONES MAY BE SUBSTITUTED FOR BARRICADES OR DRUMS AT HALF THE SPACING DURING DAY OPERATIONS. CONES SHALL BE A MINIMUM OF 28 (710) IN HEIGHT.
3. LIGHTS WILL NOT BE REQUIRED ON BARRICADES OR DRUMS FOR DAY OPERATIONS. ALL LIGHTS SHALL BE MONODIRECTIONAL.
4. REFLECTIVE TEMPORARY PAVEMENT MARKINGS SHALL BE PLACED THROUGHOUT THE BARRICADED AREAS OF EACH TURN BAY AS SHOWN WHERE THE CLOSURE TIME IS GREATER THAN FOURTEEN (14) DAYS.
5. THIS APPLICATION ALSO APPLIES WHEN WORK IS BEING PERFORMED IN THE RIGHT LANE(S) AND THE RIGHT TURN BAY IS TO REMAIN OPEN. UNDER THIS CONDITION, "RIGHT TURN LANE" R3-1100R 24 x 24 (600 x 600) AND M6-2R 21 x 15 (530 x 380) SHALL BE USED.
6. THESE CONTROLS SHALL SUPPLEMENT MAINLINE TRAFFIC CONTROL FOR LANE CLOSURES.
7. THE SIGNS SHALL BE MOUNTED ABOVE THE BARRICADES/DRUMS ON SEPARATE SIGN SUPPORTS THAT MEET NCHRP 350 OR MASH REQUIREMENTS.
8. TRAFFIC CONTROL AND PROTECTION AT TURN BAYS (TO REMAIN OPEN TO TRAFFIC) SHALL BE INCLUDED IN THE COST OF SPECIFIED TRAFFIC CONTROL STANDARDS OR ITEMS.



DETAIL A

All dimensions are in inches (millimeters) unless otherwise shown.

MODEL: Default
FILE NAME: p:\project\paw_bentley.com\p\dot\Documents\DOT Office\Dir\rdet_1\project\112723\CADD\data\Design\BentSt.dgn

USER NAME = rodrigo.ledezma	DESIGNED - T. RAMMACHER 09-08-94	REVISED - R. BORO 09-14-09
	DRAWN - A. HOUSEH 11-07-95	REVISED - A. SCHUETZE 07-01-13
PLOT SCALE = 100,0000' / in.	CHECKED - A. HOUSEH 10-12-96	REVISED - A. SCHUETZE 09-15-16
PLOT DATE = 5/17/2023	DATE - T. RAMMACHER 01-06-00	REVISED -

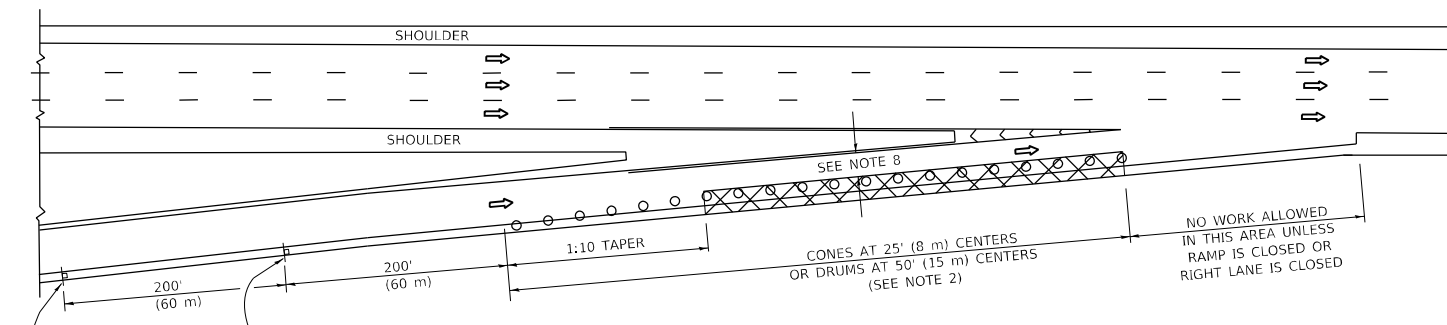
**STATE OF ILLINOIS
DEPARTMENT OF TRANSPORTATION**

**TRAFFIC CONTROL AND PROTECTION AT TURN BAYS
(TO REMAIN OPEN TO TRAFFIC)**

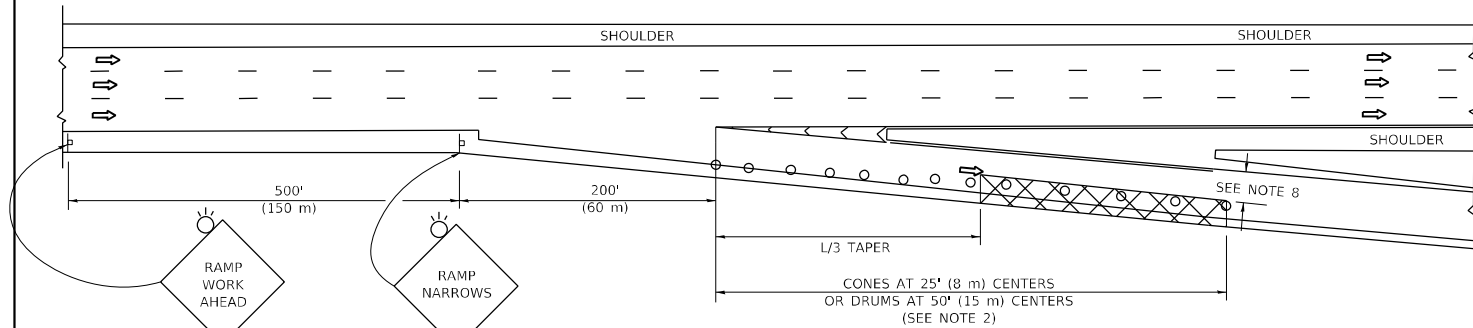
SCALE: NONE SHEET 1 OF 1 SHEETS STA. TO STA.

F.A. RTE.	SECTION	COUNTY	TOTAL SHEETS	SHEET NO.
VAR	2023 VAR FENCE	VARIOUS	21	20
TC-14		CONTRACT NO.	62U94	
ILLINOIS FED. AID PROJECT				

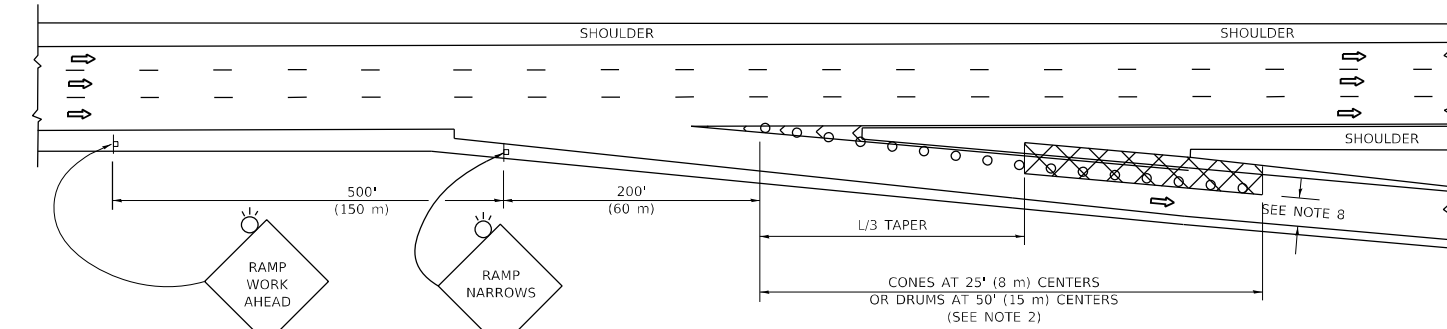
PARTIAL RAMP CLOSURE DETAILS



TYPICAL ENTRANCE RAMP



TYPICAL EXIT RAMP



TYPICAL EXIT RAMP

SYMBOLS

- ACTIVE WORK AREA
- SIGN ON PORTABLE OR PERMANENT SUPPORT
- FLAGGER WITH CONTROL SIGN
- TYPE II BARRICADE OR DRUM
- CONE, DRUM OR BARRICADE
- IMPACT ATTENUATOR OF TYPE AND TEST LEVEL SPECIFIED

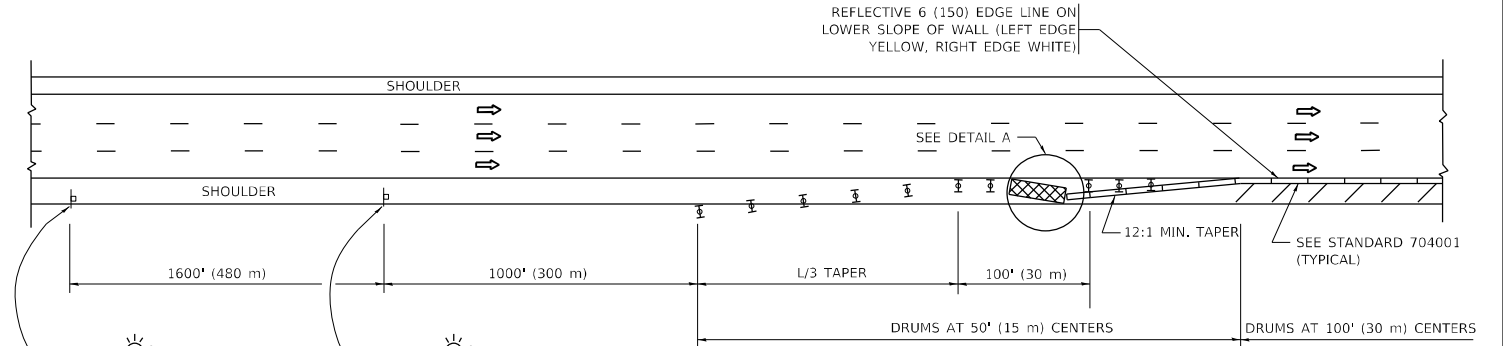
GENERAL NOTES:

- THE "L" DISTANCE EQUALS:

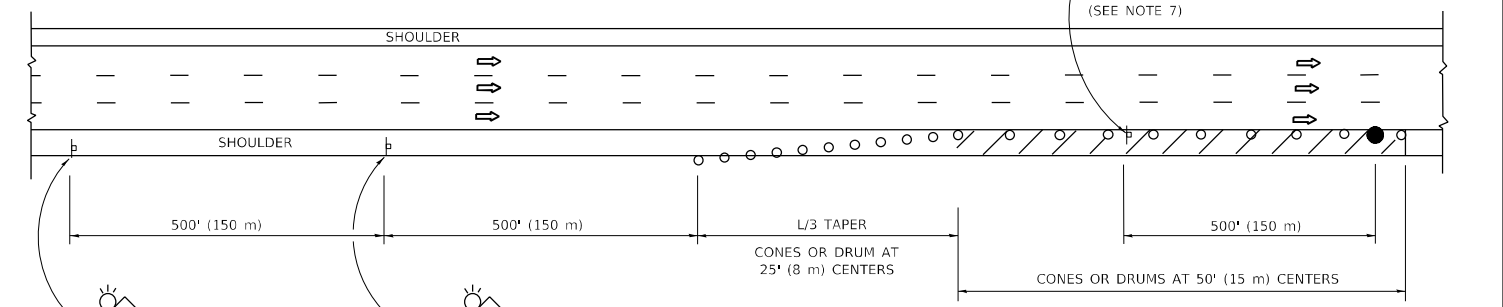
$L = \frac{W \cdot S}{S - V}$	$L = \frac{W \cdot S}{S - V}$	$L = \frac{W \cdot S}{S - V}$
45 mph (80 km/h)	METRIC	ENGLISH
OR GREATER:	$L = 0.65(W/S)$	$L = (W/S)$

W = WIDTH OF OFFSET IN FEET (METERS)
 S = NORMAL POSTED SPEED MPH (KM/H)
- TYPE II BARRICADES OR DRUMS ARE REQUIRED FOR ALL NIGHTTIME CLOSURES. TYPE II BARRICADES OR DRUMS WITH MONODIRECTIONAL STEADY BURN LIGHTS ARE REQUIRED FOR DELINEATING OBSTACLES, EXCAVATIONS, OR HAZARDS EXCEEDING 100 FT (30m) IN LENGTH AT NIGHT.
- ALL SIGNS SHALL BE POST MOUNTED IF THE CLOSURE TIME EXCEEDS FOUR DAYS.
- FLASHING LIGHTS SHALL BE USED DURING THE HOURS OF DARKNESS AND SHALL BE INSTALLED ABOVE THE FIRST TWO SETS OF SIGNS.

SHOULDER CLOSURE DETAILS



PERMANENT SHOULDER CLOSURE



TEMPORARY SHOULDER CLOSURE

THIS DETAIL IS USED WHERE:
 1. VEHICLES, EQUIPMENT, WORKERS OR THEIR ACTIVITIES ENCR OACH IN AN AREA CLOSER THAN 15' (4.5 m) TO THE EDGE OF PAVEMENT FOR A PERIOD IN EXCESS OF 15 MINUTES.



**DETAIL "A"
 IMPACT ATTENUATOR, TEMPORARY
 (SEE NOTE 5)**

- THE IMPACT ATTENUATOR, TEMPORARY IS NOT REQUIRED WHEN THE TEMPORARY CONCRETE BARRIER WALL IS PROTECTED BY OR IS TIED INTO THE EXISTING GUARDRAIL. IF OFFSET IS LESS THAN 5 FEET USE NARROW USE TYPE DEVICE TO MEET NCHRP350/MASH.
- AUTHORIZATION FROM THE DISTRICT'S BUREAU OF TRAFFIC IS REQUIRED FOR ALL FREEWAY CLOSURES.
- THE FLAGGER AND FLAGGER SIGN ARE REQUIRED AT THE ABOVE WORK SITES WHEN:
 - FOUR OR MORE WORK VEHICLES ENTER THE TRAFFIC LANES IN A ONE HOUR PERIOD.
 - THE WORK AVTIVITY REQUIRES FREQUENT ENCR OACHMENT INTO THE LANE OPEN TO TRAFFIC.
 THE FLAGGER SHALL BE STATIONED APPROXIMATELY 100' (30 m) TO 200' (60 m) IN ADVANCE OF THE WORKERS.
- 12' MIN. WIDTH TANGENT SECTION
 16' MIN. WIDTH CURVE SECTION.
- TEMPORARY SHOULDER AND NON-SYSTEM INTERCHANGE PARTIAL RAMP CLOSURES ARE ALLOWED WEEKDAYS BETWEEN 9:00 A.M. AND 3:00 P.M. AND BETWEEN 7:00 P.M. AND 5:00 A.M. OR AS APPROVED BY THE EXPRESSWAY TRAFFIC OPERATIONS ENGINEER. PERMANENT SHOULDER AND PARTIAL RAMP CLOSURES WILL ONLY BE PERMITTED IF CALLED FOR IN THE PLANS OR AS APPROVED BY THE EXPRESSWAY OPERATIONS ENGINEER.

ALL DIMENSIONS ARE IN INCHES (MILLIMETERS) UNLESS OTHERWISE SHOWN.

MODEL: Default
 FILE NAME: \\pilot\dot\documents\1001\office\dir\dot\11\project\112723\Cadd\data\Design\BRTS\dot\dot

USER NAME = rodrigo.ledezma	DESIGNED -	REVISED - S.P.B. 12-09
	DRAWN - D.W.S.	REVISED - M.D. 06-13
PLOT SCALE = 100,0000' / in.	CHECKED -	REVISED - M.D. 01-18
PLOT DATE = 5/17/2023	DATE - 11-96	REVISED - M.D. 10-20

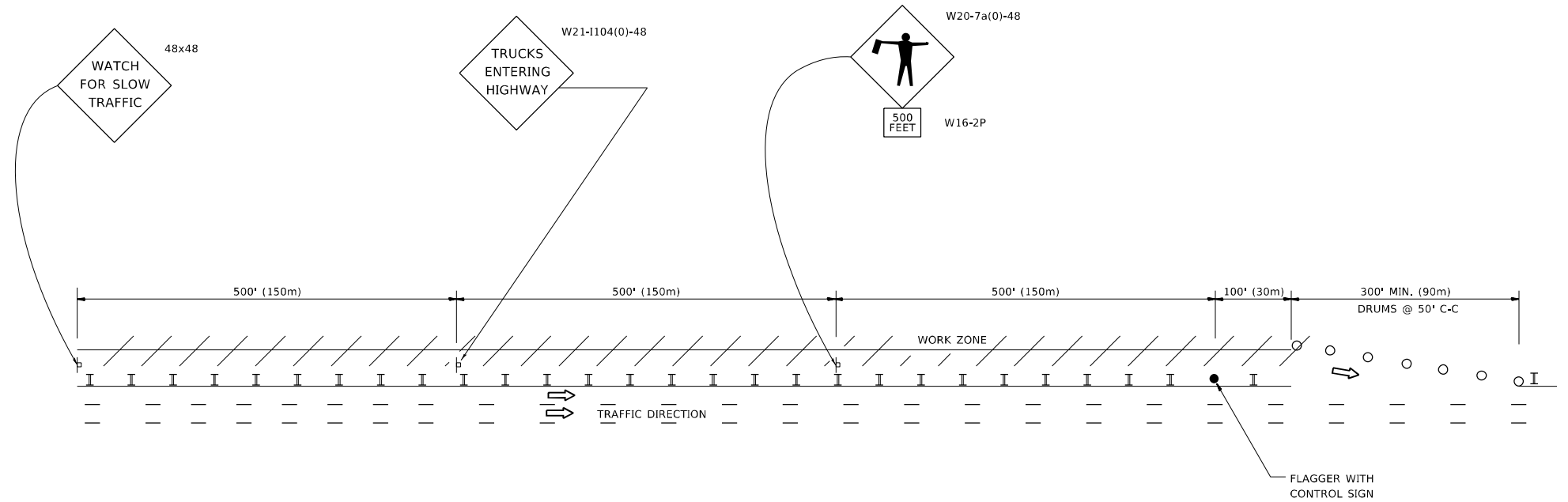
**STATE OF ILLINOIS
 DEPARTMENT OF TRANSPORTATION**

TRAFFIC CONTROL DETAILS FOR FREEWAY SHOULDER CLOSURES AND PARTIAL RAMP CLOSURES			
SCALE: NONE	SHEET 1	OF 1 SHEETS	STA. TO STA.

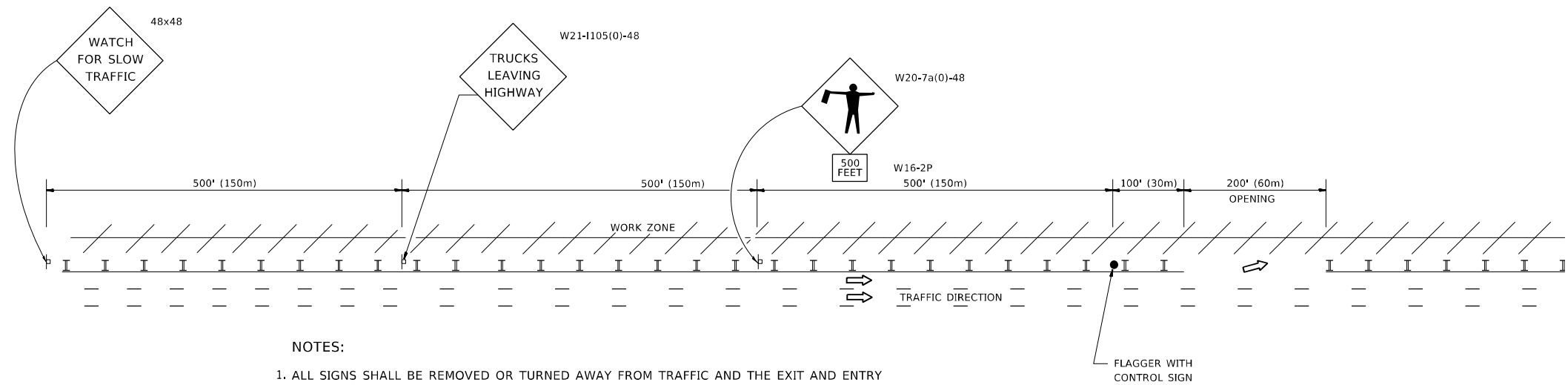
F.A. RTE.	SECTION	COUNTY	TOTAL SHEETS	SHEET NO.
VAR	2023 VAR FENCE	VARIOUS	21	21
TC-17			CONTRACT NO.	62U94
ILLINOIS FED. AID PROJECT				

SIGNING FOR FLAGGING OPERATIONS AT WORK ZONE OPENINGS

WORK ZONE EXIT OPENING



WORK ZONE ENTRY OPENING



NOTES:

1. ALL SIGNS SHALL BE REMOVED OR TURNED AWAY FROM TRAFFIC AND THE EXIT AND ENTRY OPENINGS SHALL BE CLOSED WHEN THE FLAGGING OPERATION CEASES. NON OPERATING EQUIPMENT SHALL COMPLY WITH ARTICLE 701.11
2. WORK ZONE OPENINGS SHALL BE A MINIMUM OF ONE HALF MILE APART AND A MINIMUM OF ONE QUARTER MILE FROM ALL ENTRANCE AND EXIT RAMP.
3. EXITING THE WORK ZONE AT ANY PLACE OTHER THAN AT A WORK ZONE EXIT OPENING WILL BE PROHIBITED.
4. ALL VEHICLES SHALL ENTER THE WORK ZONE AT ENTRY OPENINGS, USING THEIR TURN SIGNALS TO WARN MOTORISTS
5. FLAGGERS SHALL NOT STOP TRAFFIC OR DIRECT TRAFFIC INTO AN ADJACENT LANE.

ALL DIMENSIONS ARE IN INCHES (MILLIMETERS) UNLESS OTHERWISE SHOWN

MODEL: Default
FILE NAME: p:\project-new\bea\paw.com\p\w\DOT\Documents\DOT Office\Dir\rdet_1\project\112723\CADD\data\Design\BtStEd.dgn

USER NAME = rodrigo.ledezma	DESIGNED -	REVISED - J.A.F. 02-06
PLOT SCALE = 100,0000' / in.	DRAWN -	REVISED - S.P.B. 01-07
PLOT DATE = 6/7/2023	CHECKED -	REVISED - S.P.B. 12-09
	DATE -	REVISED - M.D.06-13

**STATE OF ILLINOIS
DEPARTMENT OF TRANSPORTATION**

**FREEWAY /EXPRESSWAY SIGNING FOR FLAGGING OPERATIONS
AT WORK ZONE OPENINGS ON FREEWAYS /EXPRESSWAYS**

SCALE: NONE SHEET 1 OF 1 SHEETS STA. TO STA.

F.A. RTE.	SECTION	COUNTY	TOTAL SHEETS	SHEET NO.
VAR	2023 VAR FENCE	VARIOUS	21	21A
TC-18			CONTRACT NO. 62U94	
ILLINOIS FED. AID PROJECT				