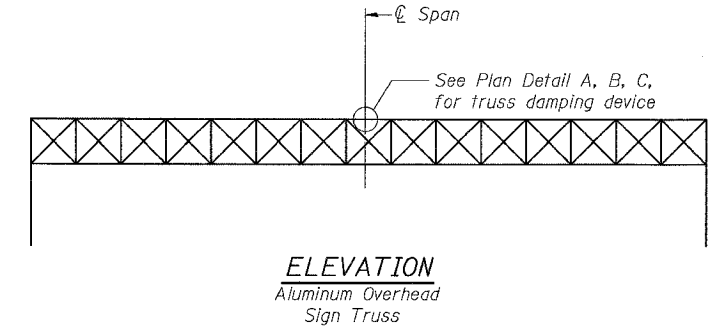
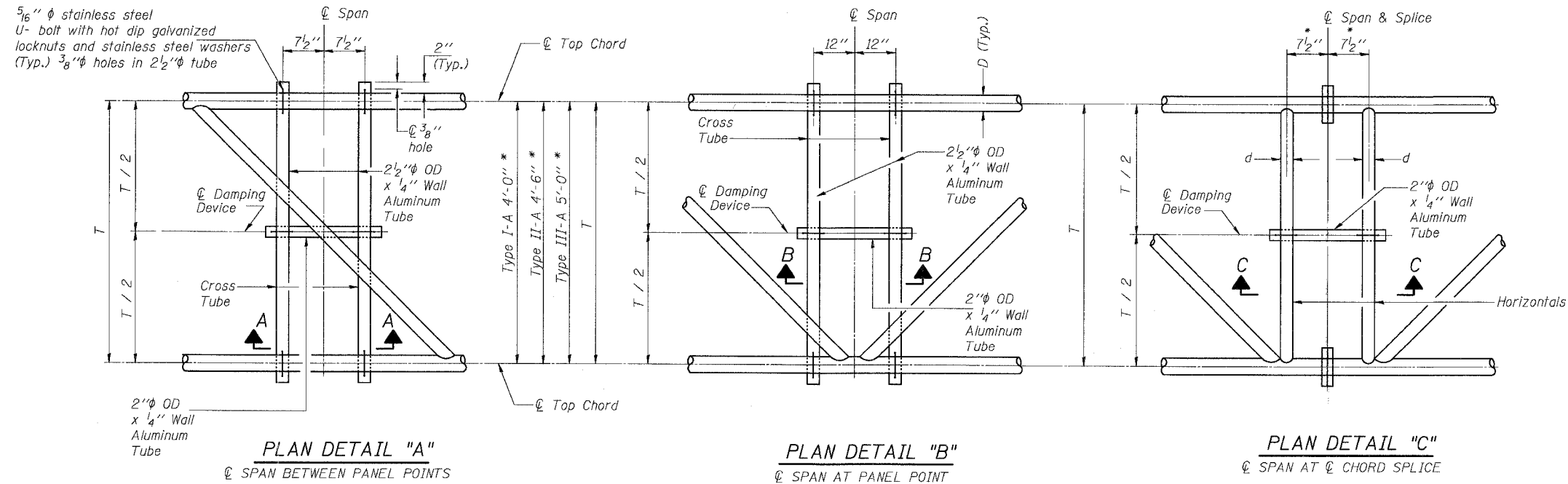


STATE OF ILLINOIS  
DEPARTMENT OF TRANSPORTATION

\* Center of horizontal to center of splice dimension may vary. Verify before drilling holes in mounting tube.

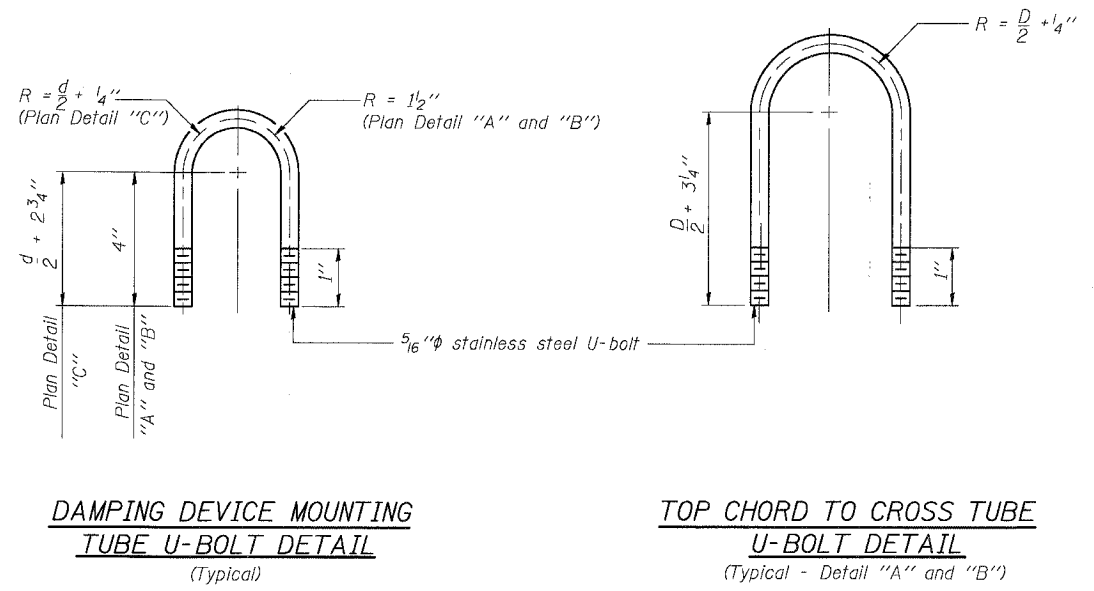
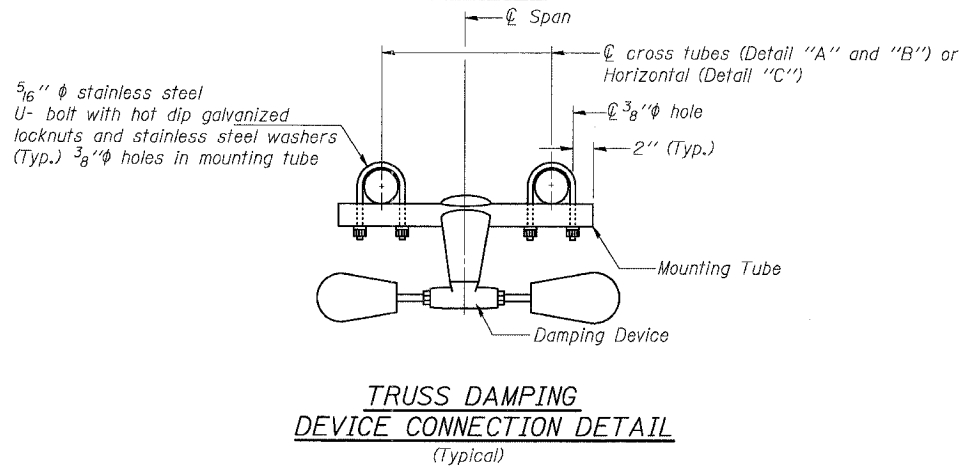
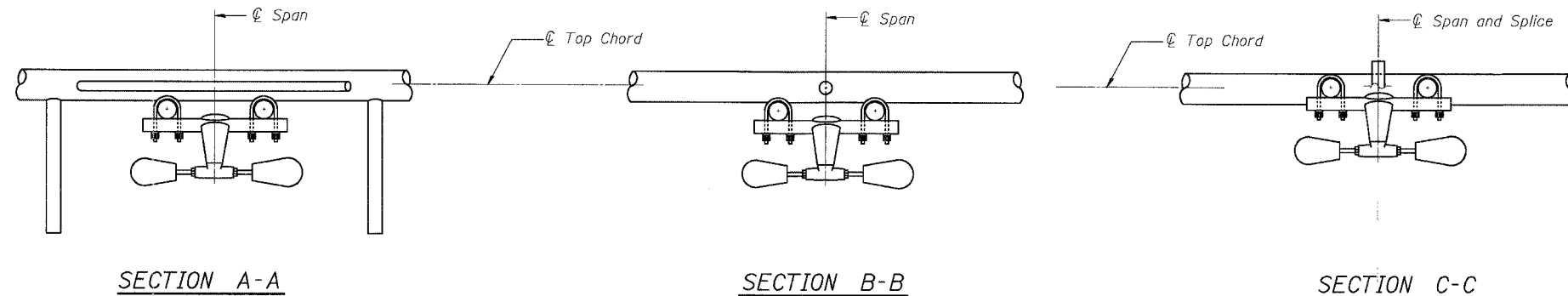
ROUTE NO.	SECTION	COUNTY	ISDN SHEETS	SHEET NO.
94/90	*	COOK	556	291
FED. ROAD DIST. NO. 1		ILLINOIS	FED. AID PROJECT-	
62300 *1818, ETC, 2324.6-1PJR-8				



**NOTES**

Damper: One damper per truss.  
(31 lbs. Stockbridge-Type Aluminum)  
Cost included in "Overhead Sign Structure..."

Materials: Aluminum tubes shall be ASTM B221 alloy 6061 temper T6. Cost included in "Overhead Sign Structure..."



DESIGNED	MSA	20
CHECKED	AS	EXAMINED
DRAWN	MD	PASSED
CHECKED	MSA	ENGINEER OF STRUCTURAL SERVICES
		ENGINEER OF BRIDGES AND STRUCTURES

OS-A-D 11/1/2002

SGN-13

**OVERHEAD SIGN STRUCTURE DAMPING DEVICE**

ILLINOIS DEPARTMENT OF TRANSPORTATION  
F.A.I. 94/90 (DAN RYAN EXPRESSWAY)  
31ST STREET TO 71ST STREET  
NB EXPRESS LANE RECONSTRUCTION  
OVERHEAD SIGN STRUCTURES