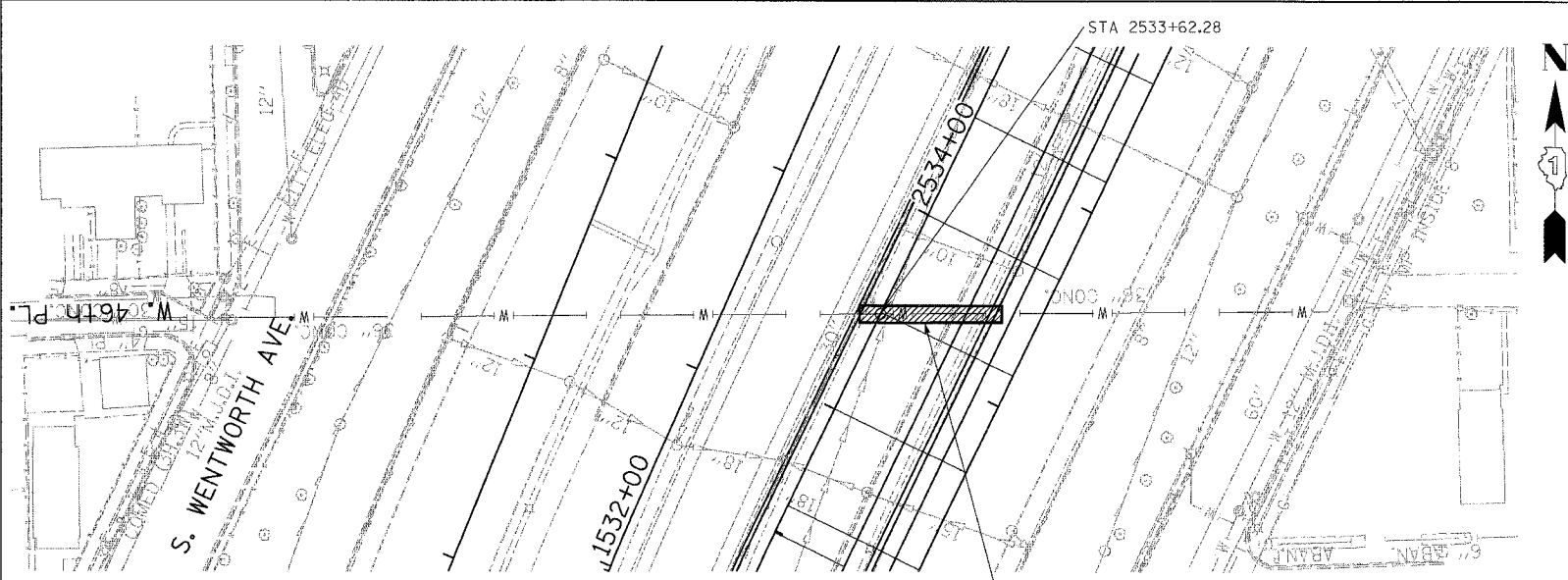
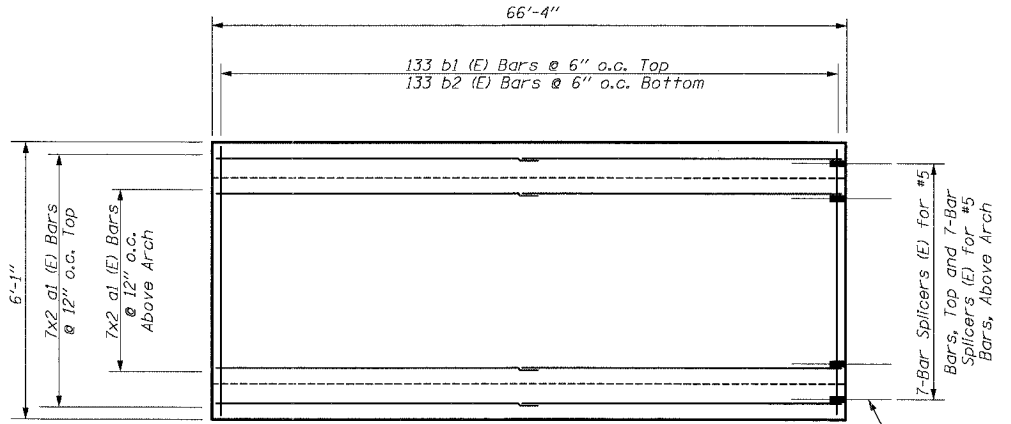


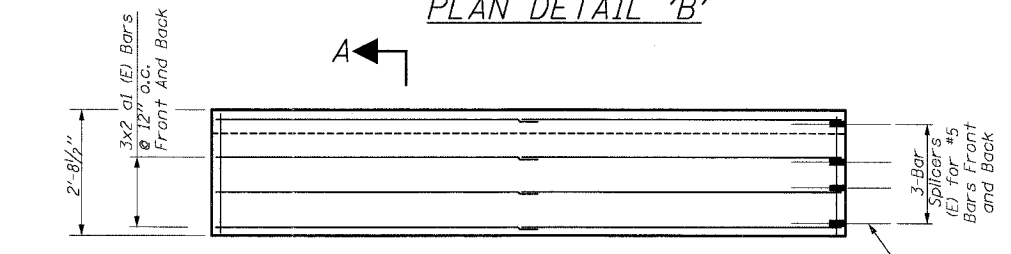
F.A.I.	SECTION	COUNTY	TOTAL SHEETS	SHEET NO.
94/90	*	COOK	556	350
STA.	TO STA.			
FED. ROAD DIST. NO.	ILLINOIS	FED. AID PROJECT		
62300	*1818, ETC, 2324.6-1PR-8			



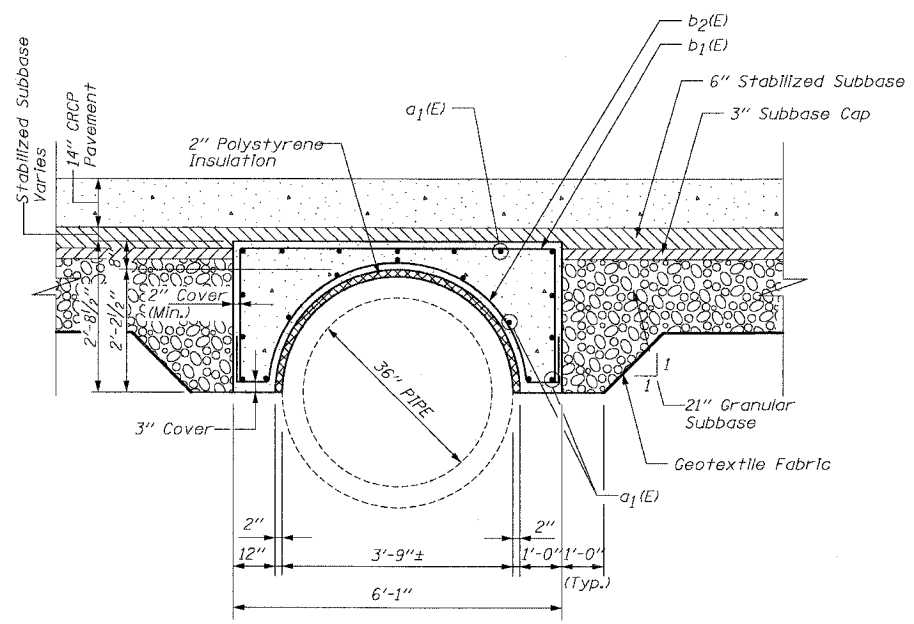
TOPOGRAPHIC PLAN



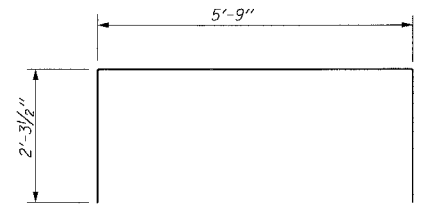
PLAN DETAIL 'B'



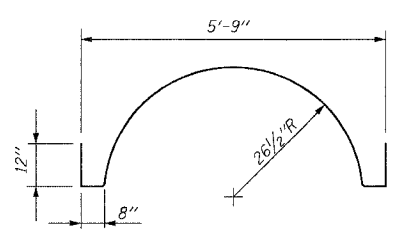
ELEVATION 'B'



SECTION A-A



b1(E) Bars



b2(E) Bars

NOTES:

1. THE 2" POLYSTYRENE INSULATION SHALL BE INCLUDED IN THE COST OF 36" WATER MAIN PROTECTION CAP CONSTRUCTION. THE ESTIMATED QUANTITY IS 426 SQ. FT.
2. ADDITIONAL GRANULAR SUB-BASE REQUIRED AS SHOWN IN SECTION A-A OR AS DIRECTED BY ENGINEER WILL BE INCLUDED IN THE COST OF SUB-BASE GRANULAR MATERIAL, TYPE B 24".
3. CONTRACTOR SHALL PROVIDE BAR SPLICERS AS SHOWN. INSTALL STAGE I PORTION AND PROVIDE STAGE II PORTION TO THE ENGINEER. PLUG THREADED COUPLER WITH PLASTIC NIPPLE OR H.S. BOLT FOR PROTECTION. COST INCLUDED WITH "BAR SPLICERS".

NOTES:

1. All bars designated (E) must be epoxy coated.
2. All bars must be #5 bars with a minimum overlap of 2'-2".

BOWMAN, BARRETT & ASSOCIATES INC.
CONSULTING ENGINEERS
Chicago, Illinois
312.228.0100
www.bbainc.com

REVISIONS	
NAME	DATE

ILLINOIS DEPARTMENT OF TRANSPORTATION
F.A.I. 94/90 (DAN RYAN EXPRESSWAY)
31ST STREET TO 71ST STREET
NB EXPRESS LANE RECONSTRUCTION
CIVIL DETAILS - 46TH ST CROSSING
36" WATER MAIN PROTECTION CAP
SCALE: =NTS DRAWN BY: EGH
DATE: 07/07/05 CHECKED BY: CBB

CDT-3

6/27/2005 4:55:45 PM