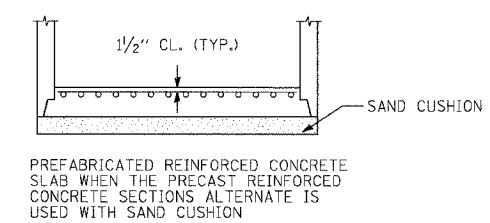
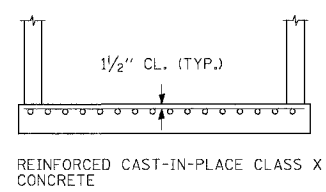
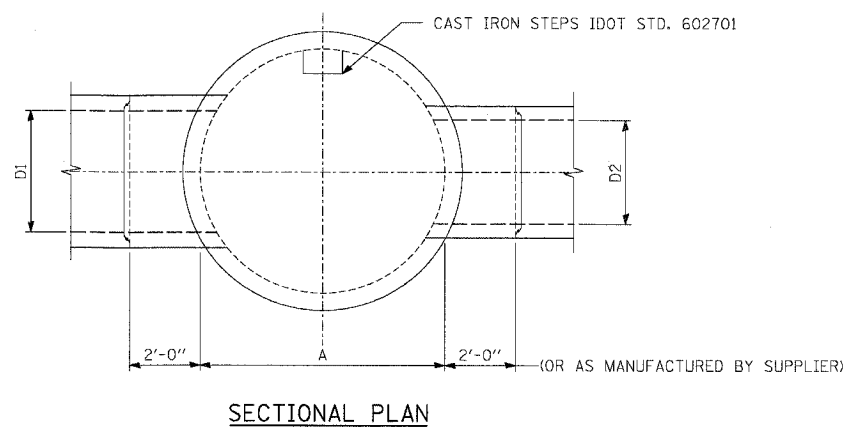
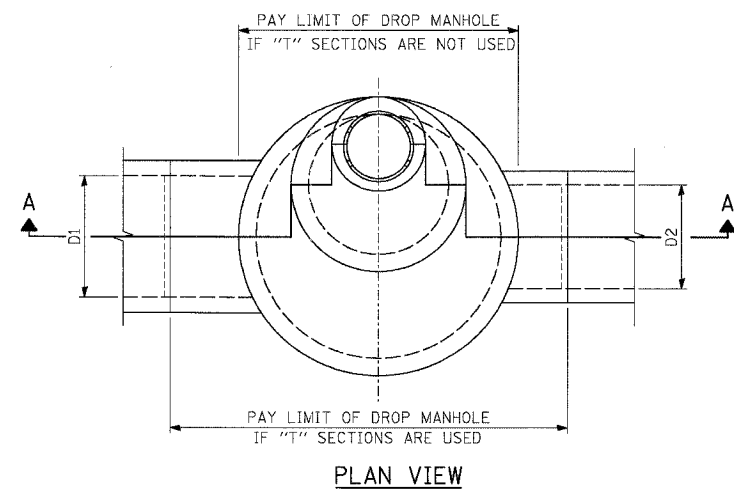
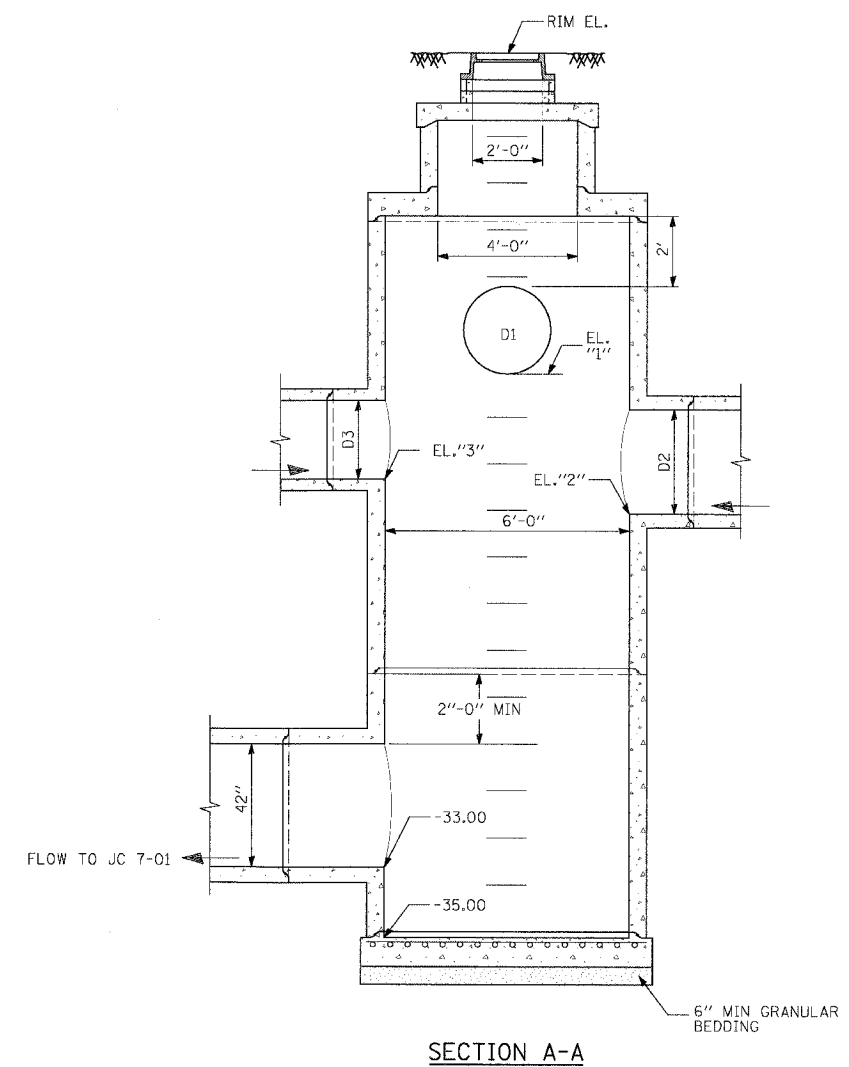


F.A.I. RTE.	SECTION	COUNTY	TOTAL SHEETS	SHEET NO.
94/90		COOK	556	405
STA.	TO STA.			
FED. ROAD DIST. NO.	ILLINOIS FED. AID PROJECT			
62300	181B, ETC, 2324.6-1PR-8			



ALTERNATE BOTTOM SLAB



DROP MANHOLE 6' DIA.

NOTES:

- 1) SEE DRAINAGE SCHEDULE FOR OTHER INVERT ELEVATIONS, PIPE DIAMETERS, AND RIM ELEVATION.
- 2) ALL DIMENSIONS ARE INSIDE DIMENSIONS.
- 3) UTILIZE PIPE "T" SECTIONS WHENEVER AVAILABLE.
- 4) PRESET PIPE OPENINGS IN PRECAST REINFORCED CONCRETE SECTIONS IF "T" SECTIONS AND SPECIAL FITTINGS ARE NOT AVAILABLE.
- 5) ROTATE FLAT SLAB AND MANHOLE RISER SO STEPS AVOID STORM SEWER OPENINGS.
- 6) CAST IRON STEPS SHALL BE GRAY IRON CONFORMING TO THE REQUIREMENTS OF ARTICLE 1006.14 OF THE STANDARD SPECIFICATIONS. STEPS SHALL BE EMBEDDED INTO THE WALL A MINIMUM OF THREE (3) INCHES. STEPS SHALL NOT BE EXTENDED ON THE OUTSIDE.
- 7) JOINT CONFIGURATION AND DIMENSIONS OF FLAT SLAB TOP SHALL MATCH AND FIT THE RISER JOINT DETAIL.
- 8) LIFTING DEVICES SHALL BE APPROVED BY THE ENGINEER.
- 9) ALL WORK SHALL BE AS PER AASHTO REQUIREMENTS. ASTM IS LISTED AS SUPPLEMENTARY.

**Edwards AND Kelcey**  
 ONE NORTH FRANKLIN  
 CHICAGO, IL 60606  
 PHONE: (312) 251-3000  
 FAX: (312) 251-3015  
 WEB: WWW.EKCORP.COM

REVISIONS		ILLINOIS DEPARTMENT OF TRANSPORTATION F.A.I. 94/90 (DAN RYAN EXPRESSWAY) 31ST STREET TO 71ST STREET NB EXPRESS LANE RECONSTRUCTION DRAINAGE STRUCTURE DETAILS DROP MANHOLE (STRUCTURE 7-07)
NAME	DATE	
		SCALE: DATE: 7/7/05
		DRAWN BY: JRW CHECKED BY: EL

P:\030019.035\Con 14&15\CADD\14\du140372e.SHT