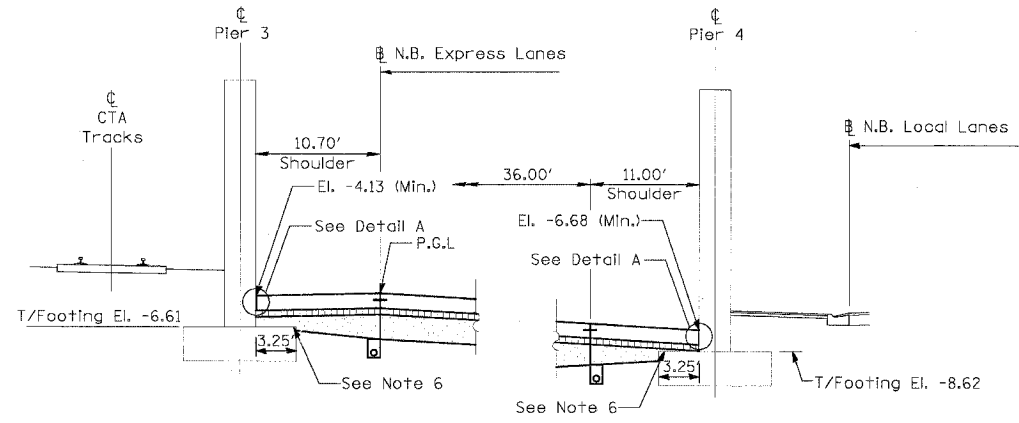
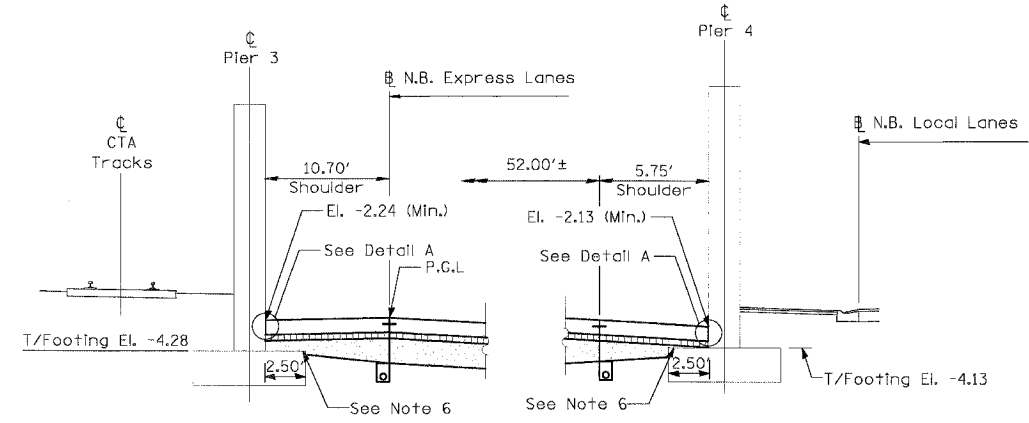


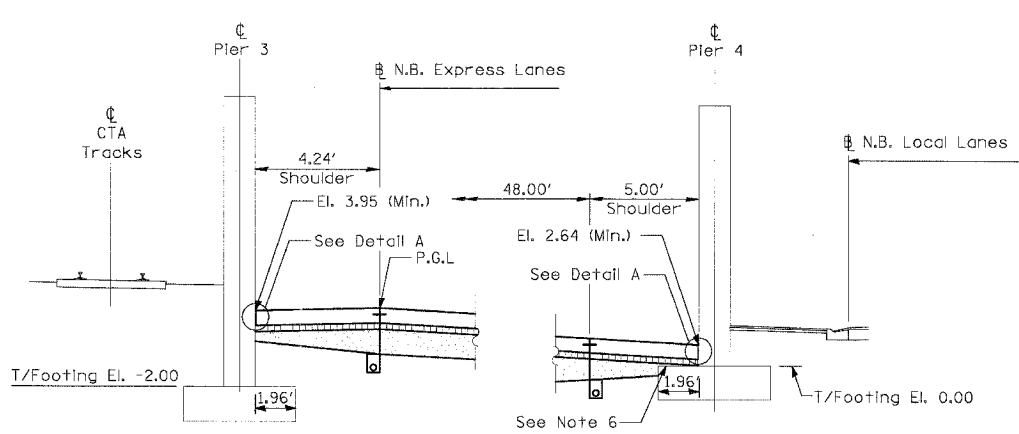
F.A.I. RTE.	SECTION	COUNTY	TOTAL SHEETS	SHEET NO.
94/90		COOK	556	429
STA.	TO STA.			
FED. ROAD DIST. NO.	ILLINOIS	FED. AID PROJECT		
62300	• (1818, ETC, 2324.6-IPR-8			



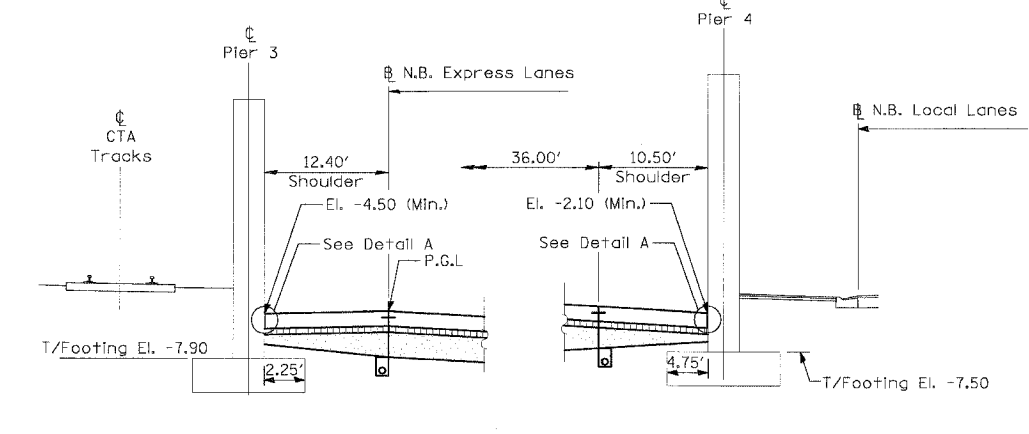
SHOULDER DETAIL AT 47th STREET (S.N. 016-1156)



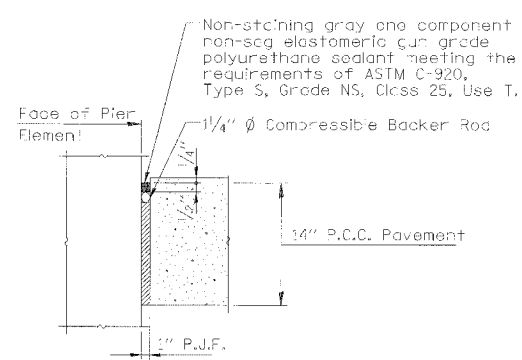
SHOULDER DETAIL AT 51st STREET (S.N. 016-1157)



SHOULDER DETAIL AT 63rd STREET

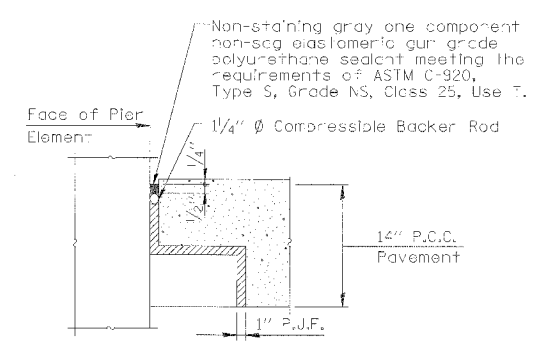


SHOULDER DETAIL AT 67th STREET (S.N. 016-1147)



DETAIL A

Cost of P.J.F., Backer Rod and sealing compound included with PCC Shoulder



DETAIL B

Cost of P.J.F., Backer Rod and sealing compound included with PCC Shoulder

Notes:

1. See Typical Sections for Composition of Exist. & Prop. Pavement.
2. All views looking North.
3. Contractor shall use caution during pavement removal and excavation operations around existing overhead bridge foundations.
4. Top of Rock El. at Root Street is approx. El. -12.0
5. All dimensions at right angles to Expressway.
6. Provide 10mil polyethylene bond breaker and pour shoulder pavement directly on pier footing.

REVISIONS	
NAME	DATE

SHEET SDET-1 OF SDET-4
 ILLINOIS DEPARTMENT OF TRANSPORTATION
 F.A.I. 94/90 (DAN RYAN EXPRESSWAY)
 31ST STREET TO 71ST STREET
 NB EXPRESS LANE RECONSTRUCTION
 PAVEMENT DETAILS AT
 CROSS STREET BRIDGES
 SCALE: NONE
 DATE: 7/7/05
 DRAWN BY: MJP
 CHECKED BY: TAI

Edwards AND Kelcey
 ONE NORTH FRANKLIN
 CHICAGO, IL 60606
 PHONE: (312) 251-3000
 FAX: (312) 251-3015
 WEB: WWW.EKCORP.COM

05/27/2005 08:06:30 PM