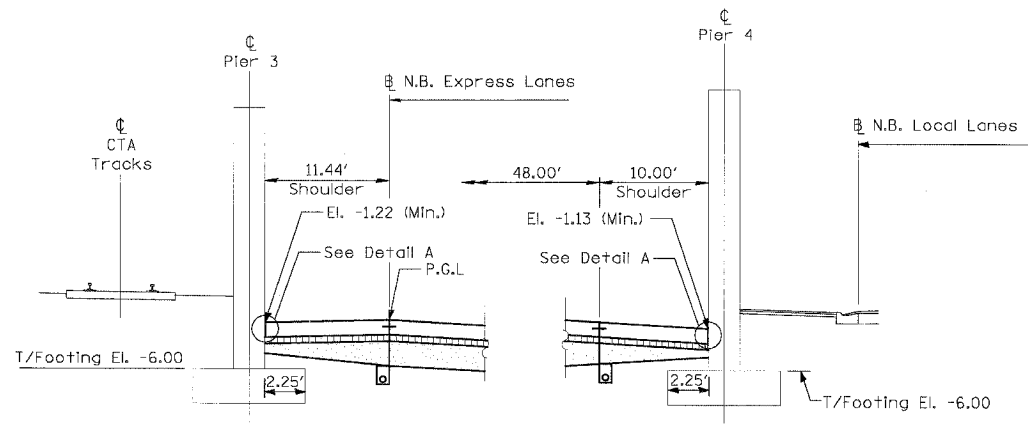
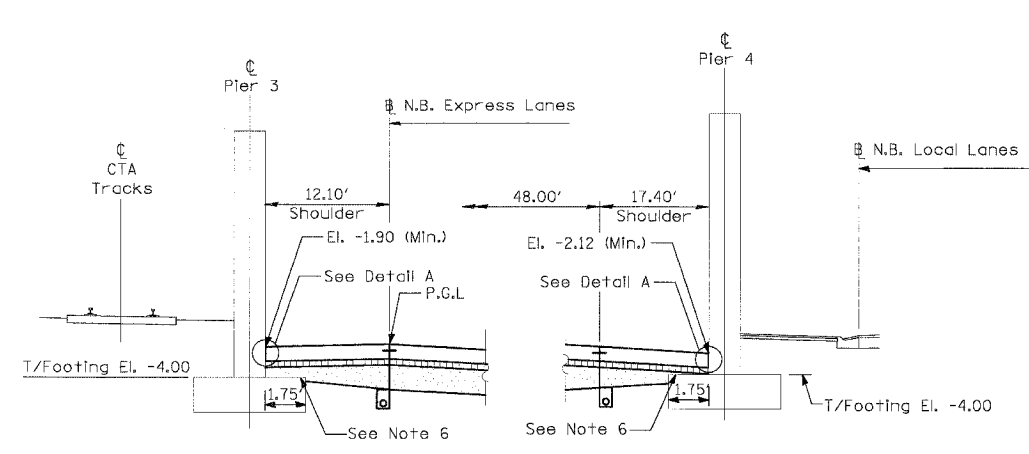


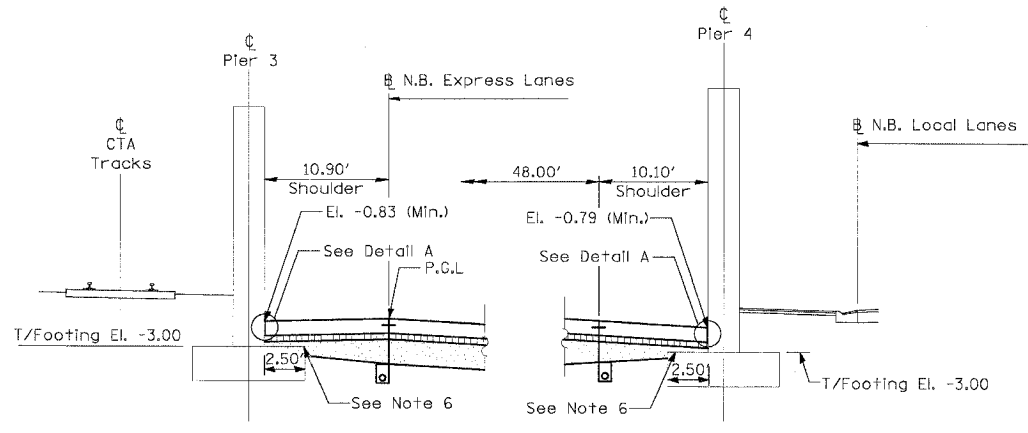
F.A.I. SECTION	COUNTY	TOTAL SHEETS	SHEET NO.
94/90	COOK	556	431
STA. TO STA.		ILLINOIS FED. AID PROJECT	
62300		• (1818, ETC. 2324.6-1P)R-8	



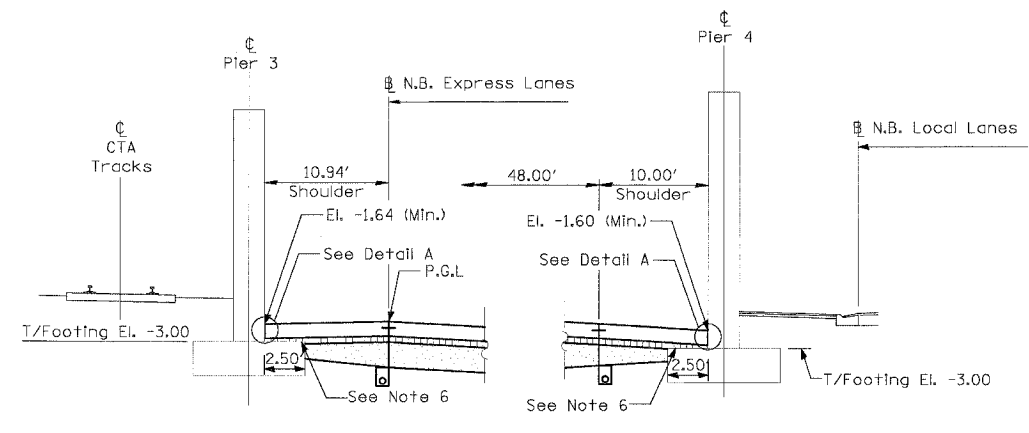
SHOULDER DETAIL AT 57th STREET (S.N. 016-1151)



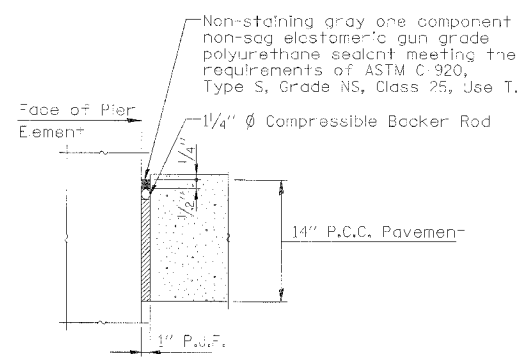
SHOULDER DETAIL AT 59th STREET (S.N. 016-1150)



SHOULDER DETAIL AT 55th STREET (NORTH) (S.N. 016-1153)

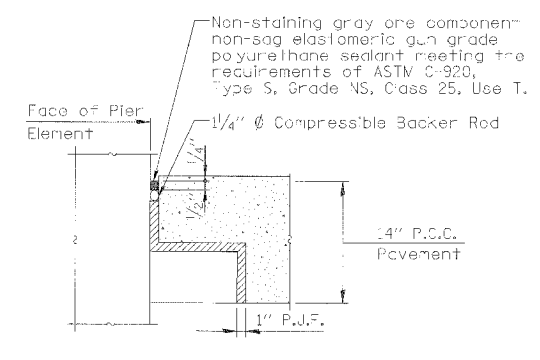


SHOULDER DETAIL AT 55th STREET (SOUTH) (S.N. 016-1152)



DETAIL A

Cost of P.J.F., Backer Rod and sealing compound included with PCC Shoulder



DETAIL B

Cost of P.J.F., Backer Rod and sealing compound included with PCC Shoulder

Notes:

1. See Typical Sections for Composition of Exist. & Prop. Pavement.
2. All views looking North.
3. Contractor shall use caution during pavement removal and excavation operations around existing overhead bridge foundations.
4. Top of Rock El. at Root Street is approx. El. -12.0
5. All dimensions at right angles to Expressway.
6. Provide 10ml polyethylene bond breaker and pour shoulder pavement directly on pier footing.

SHEET SDET-3 OF SDET-4

REVISIONS		ILLINOIS DEPARTMENT OF TRANSPORTATION F.A.I. 94/90 (DAN RYAN EXPRESSWAY) 31ST STREET TO 71ST STREET NB EXPRESS LANE RECONSTRUCTION PAVEMENT DETAILS AT CROSS STREET BRIDGES
NAME	DATE	

SCALE: NONE
DATE: 7/7/05

DRAWN BY: MJP
CHECKED BY: TAI

Edwards AND Kelcey
ONE NORTH FRANKLIN
CHICAGO, IL 60606
PHONE: (312) 251-3000
FAX: (312) 251-3015
WEB: WWW.EKCORP.COM

06/27/2005 09:40:29 PM