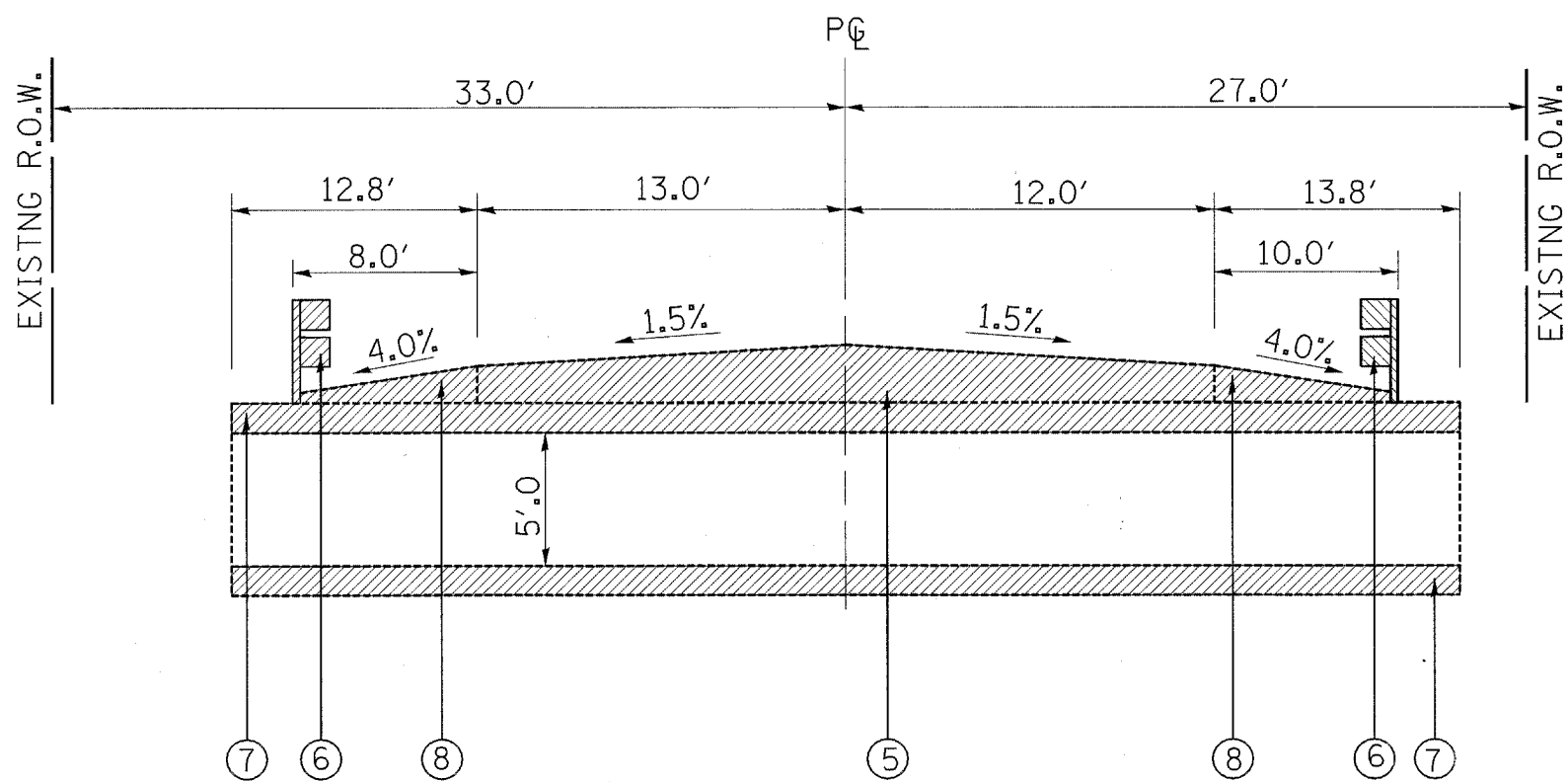


**APPROACH ROADWAY
U.S. ROUTE 14 OVER LAWRENCE CREEK**
STA. 104+00 TO STA. 109+89
STA. 110+11 TO STA. 115+10

TYPICAL SECTION LEGEND

- ① -EXISTING PCC BASE COURSE, 9''+/-
- ② -EXISTING BITUMINOUS SURFACE COURSE, 6''+/-
- ③ -EXISTING PCC CONCRETE WIDENING, 9''+/-
- ④ -EXISTING AGGREGATE SHOULDER
- ⑤ -EXISTING BITUMINOUS SURFACE COURSE. THICKNESS VARIES FROM 6'' TO 10''. PAID AS PAVEMENT REMOVAL
- ⑥ -EXISTING GUARDRAIL
- ⑦ -EXISTING BOX CULVERT
- ⑧ -EXISTING BITUMINOUS SHOULDER



**CULVERT
U.S. ROUTE 14 OVER LAWRENCE CREEK**
STA. 109+89 TO STA. 110+11

REVISIONS	
NAME	DATE

ILLINOIS DEPARTMENT OF TRANSPORTATION
U.S. ROUTE 14 OVER LAWRENCE CREEK
TYPICAL SECTIONS EXISTING

SCALE: NTS
DRAWN BY CLG
CHECKED BY JJD
DATE: 2-07-05

