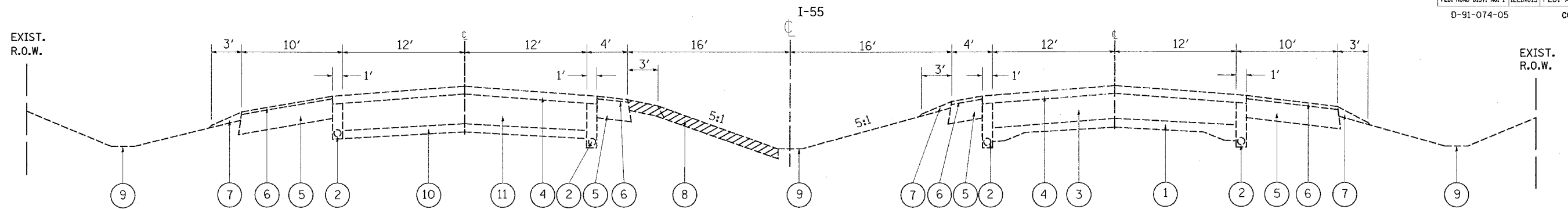
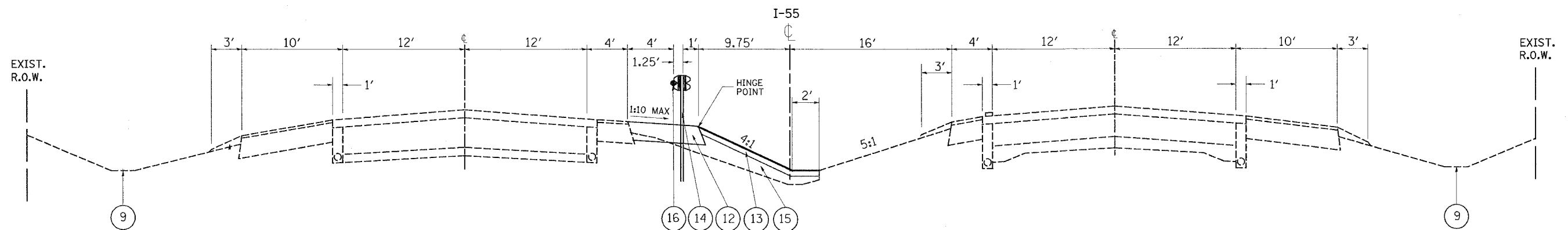


F.A.I. RTE.	SECTION	COUNTY	TOTAL SHEETS	SHEET NO.
55	2003-118 GRR	WILL	14	4
STA. 1268+25		TO STA. 1352+19		
FED. ROAD DIST. NO. 1		ILLINOIS FED. AID PROJECT		
D-91-074-05		CONTRACT 62884		



I-55  
EXISTING TYPICAL CROSS SECTION  
STA 1268+25 TO STA 1352+19



I-55  
PROPOSED TYPICAL CROSS SECTION  
STA 1268+25 TO STA 1317+43  
STA 1317+71 TO STA 1336+00  
STA 1336+25 TO STA 1352+19

**LEGEND**

- |  |   |
|--|---|
| ① EXISTING P.C.C. BASE COURSE 9" - 7" - 9"   | ⑩ EXISTING SUB BASE GRANULAR MATERIAL, 4"   |
| ② EXISTING PIPE UNDERDRAIN, 4"   | ⑪ EXISTING P.C.C. PAVEMENT, 10"   |
| ③ EXISTING BIT. CONC. BINDER COURSE, 16"   | ⑫ PROPOSED AGGREGATE SHOULDER, TYPE A, 12"  |
| ④ EXISTING BIT. CONC. SURFACE COURSE, ±5"  | ⑬ PROPOSED -TOPSOIL FURNISH AND PLACE, 4'<br>-SEEDING, CLASS 2A<br>-EROSION CONTROL BLANKET |
| ⑤ EXISTING BITUMINOUS SHOULDER, 12½"   | ⑭ PROPOSED STEEL PLATE BEAM GUARDRAIL, TYPE D SPECIAL                                       |
| ⑥ EXISTING BITUMINOUS CONC. SURFACE COURSE, 1½"  | ⑮ PROPOSED FURNISHED EXCAVATION   |
| ⑦ EXISTING AGGREGATE SHOULDER, TYPE B (6")   | ⑯ PROPOSED GUARDRAIL MARKERS  |
| ⑧ EXISTING AGGREGATE SHOULDER, TYPE B (6") & TOP SOIL (4") TO BE REMOVED (PAID AS REMOVAL AND DISPOSAL OF UNSUITABLE MATERIAL) |   |
| ⑨ EXISTING GROUND DITCH  |   |

REVISIONS	
NAME	DATE

ILLINOIS DEPARTMENT OF TRANSPORTATION  
**INTERSTATE 55**  
**EXISTING AND PROPOSED TYPICAL SECTION**  
SCALE : NONE  
6/14/2005  
DRAWN BY: HMO  
CHECKED BY: