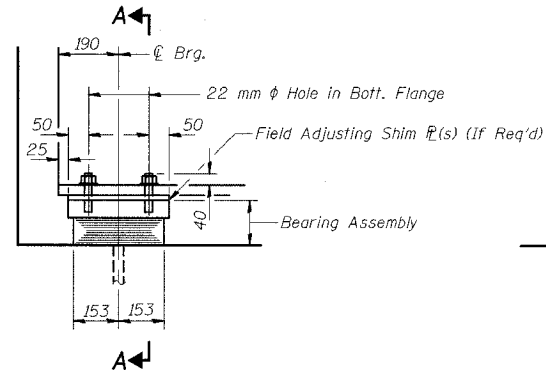
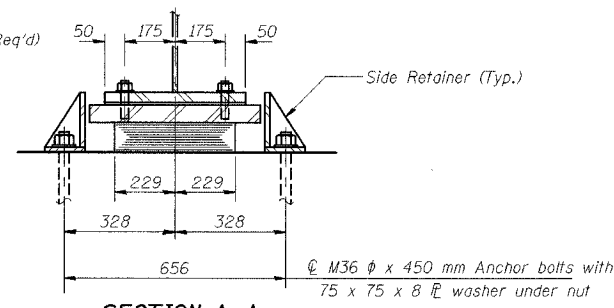


STATE OF ILLINOIS
DEPARTMENT OF TRANSPORTATION

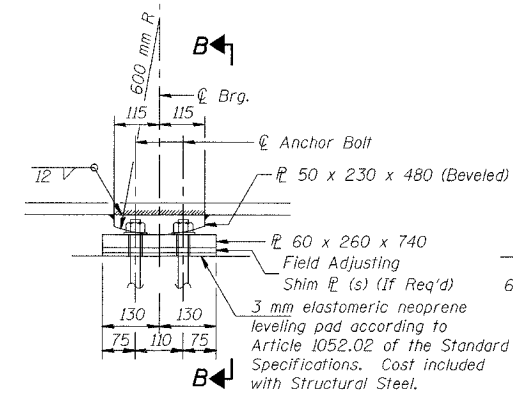
ROUTE NO.	SECTION	COUNTY	TOTAL SHEETS	SHEET NO.	SHEET NO. 18
F. A. I. 80/94		COOK	90	14	29 SHEETS
FED. ROAD DIST. NO. 1	ILLINOIS	FED. AID PROJECT-			
*2004-133F			CONTRACT NO. 62898		



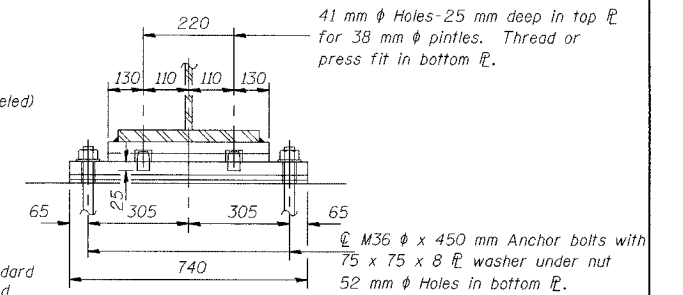
ELEVATION AT S. & N. ABUT.



SECTION A-A



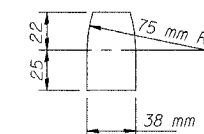
ELEVATION AT PIER



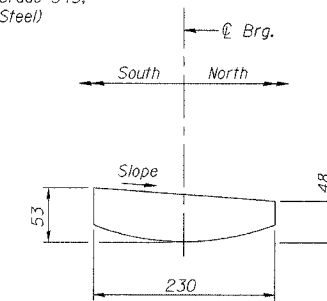
SECTION B-B

FIXED BEARING

(Structural Steel AASHTO M 270M Grade 345. Cost included with Structural Steel)



PINTLE

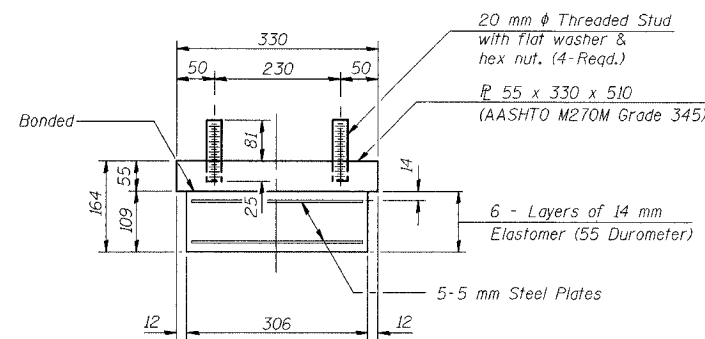


TOP FIXED BEARING PLATE BEVEL

(Looking West)

TYPE I ELASTOMERIC EXP. BRG.

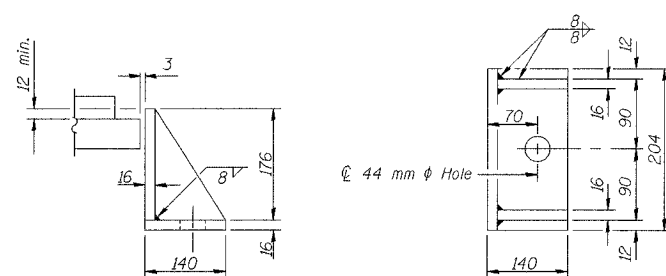
(Abutments)



BEARING ASSEMBLY

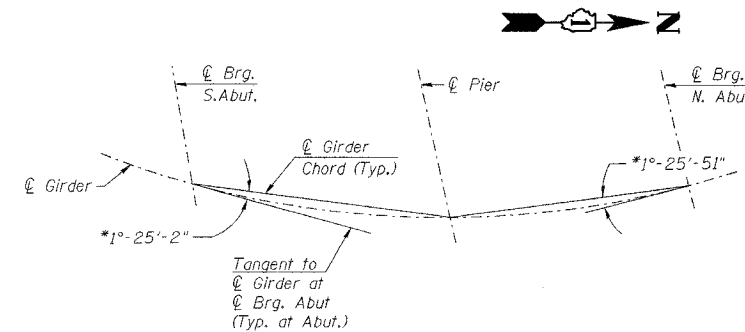
Note: Shim plates shall not be placed under Bearing Assembly.

Notes: Anchor bolts at fixed bearings may be built into the masonry. See sheet No. 19 of 29 sheets for Anchor Bolt installation. All dimensions are in millimeters (mm) except as noted.



SIDE RETAINER

Equivalent rolled angle with stiffeners will be allowed in lieu of welded plates. Weight included with Structural Steel.



EXPANSION BEARING ORIENTATION

* Measured from G Girder Chord to Tangent to G Girder at G Bearing Abutment

BILL OF MATERIAL

Item	Unit	Quantity
Furnishing Elastomeric Bearing Assembly, Type I	Each	12
Storage of Elastomeric Bearing Assemblies	Cat Da	15

DESIGNED	MEA
CHECKED	JJK
DRAWN	LK
CHECKED	JJK

I:\a1122\EA\34562\CADD\N\SNL\2796\CD\CTR_29_2796\br190814c_2796.dgn
 12-MAY-2005 15:35

ILLINOIS DEPARTMENT OF TRANSPORTATION
I-94 EAST BOUND / IL 394 SOUTH BOUND
BEARING DETAILS
SB ILLINOIS ROUTE 394 OVER INTERSTATE 80
F.A.P. 332 SECTION 2004-133F
COOK COUNTY
STA. 440+193.335 STRUCTURE NO. 016-2796
DATE 05/16/05
SCALE ---

HNTB