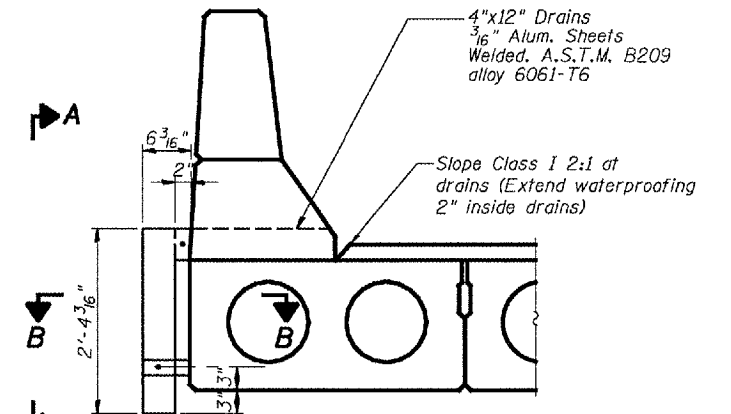
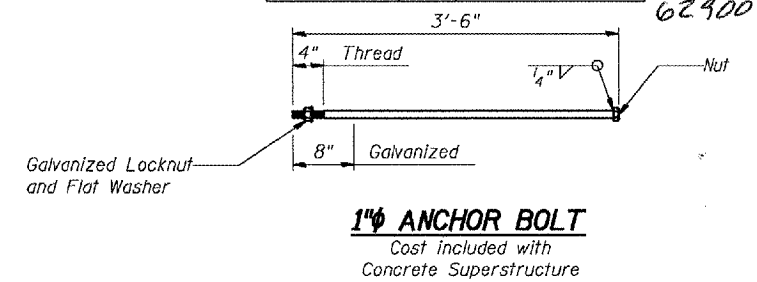
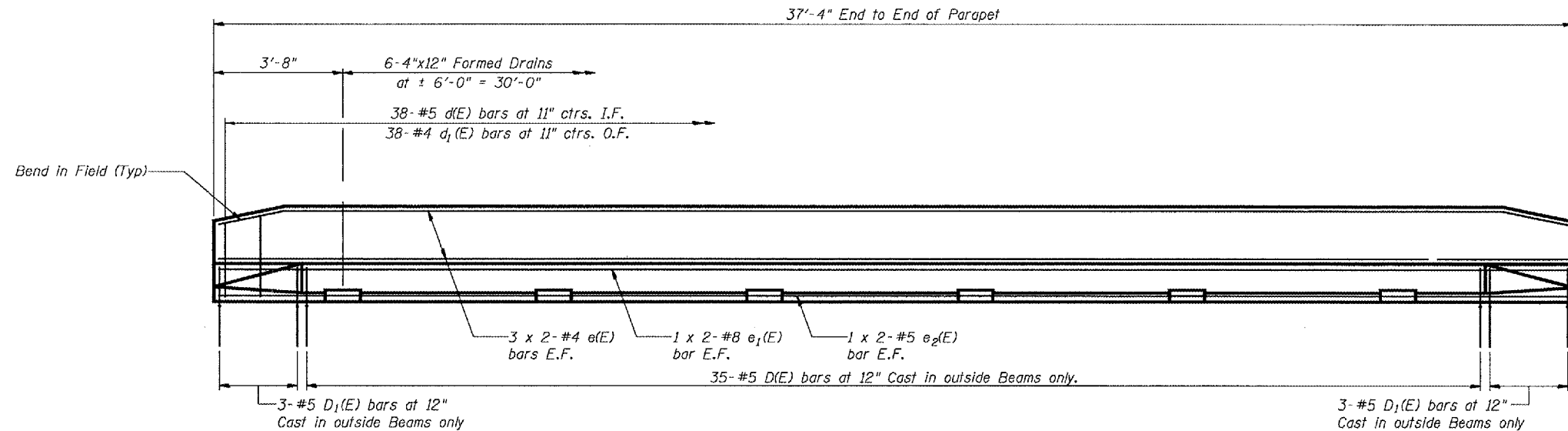
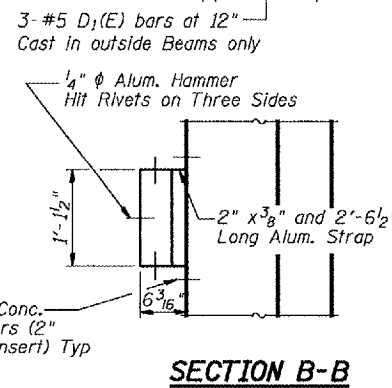


STATE OF ILLINOIS
DEPARTMENT OF TRANSPORTATION

ROUTE NO.	SECTION	COUNTY	SHEETS	SHEET	SHEET NO. 3 3 SHEETS 62900
		Will	14	12	
FED. ROAD DIST. NO. 7	ILLINOIS	FED. AID PROJECT			

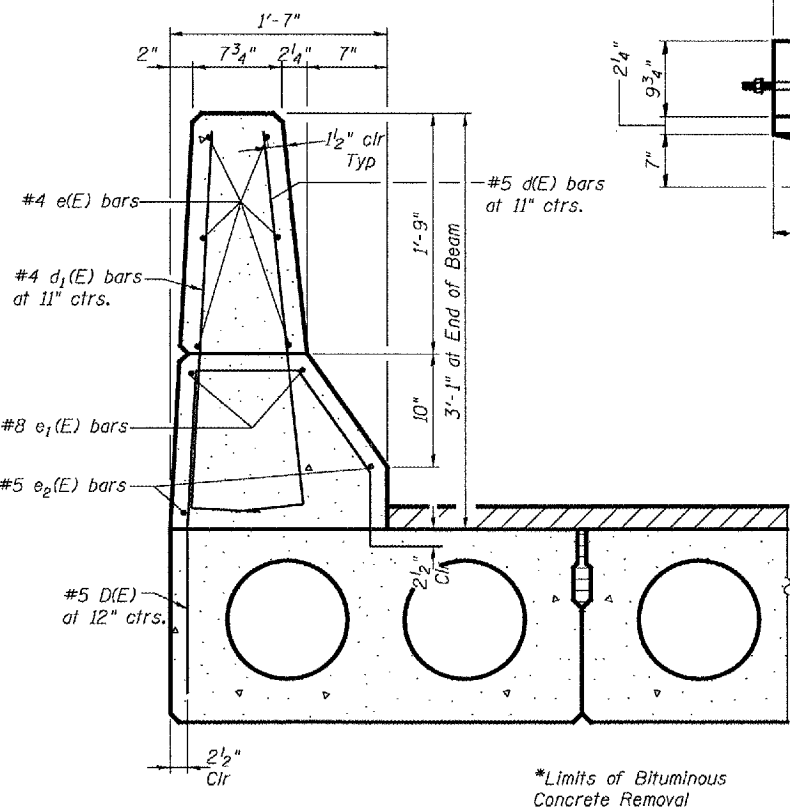


PARAPET ELEVATION

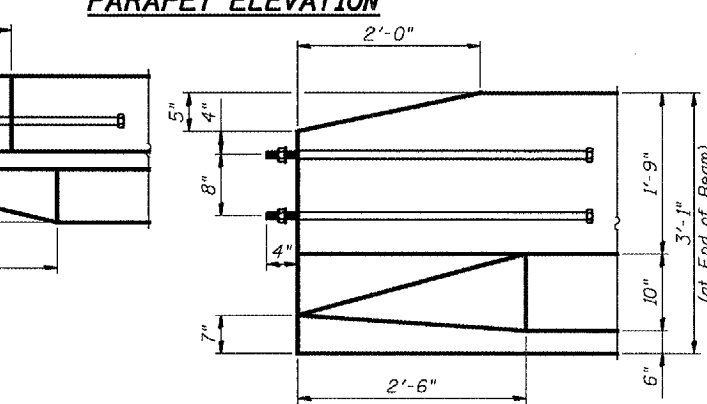


SECTION B-B

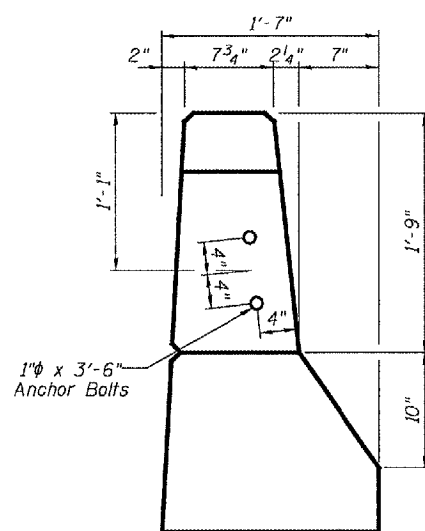
SECTION THRU PARAPET SHOWING DRAIN
Cost of aluminum drains included with Floor Drains



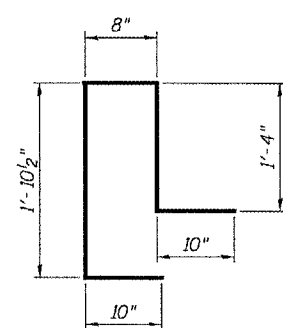
SECTION THRU PARAPET



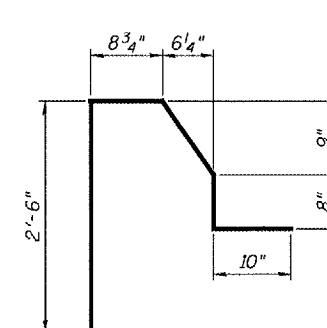
PARAPET END DETAILS



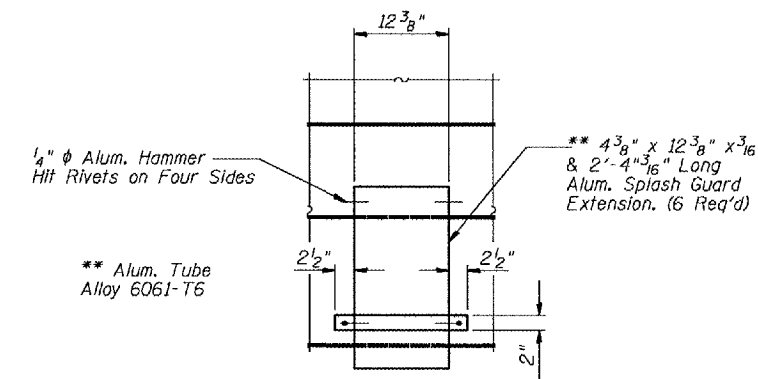
PARAPET END VIEW



BAR D1(E)



BAR D(E)



SECTION A-A

BILL OF MATERIAL

Bar	No.	Size	Length	Shape
d(E)	76	#5	3'-4"	J
d1(E)	76	#4	3'-4"	J
e(E)	24	#4	19'-6"	
e1(E)	8	#8	20'-11"	
e2(E)	8	#5	19'-9"	
Reinforcement Bars Epoxy Coated		Pound	1360	
Concrete Superstructure		Cu. Yd.	8.5	
Concrete Removal		Cu. Yd.	8.5	

All Bars Designated (E) Shall be Epoxy Coated.

Min. Bar Laps

- #4 = 1'-8"
- #5 = 2'-2"
- #8 = 4'-6"

PARAPET DETAILS

F.A. RT. 124
WILL COUNTY
SN.099-0119

DESIGNED	V.H.V.
CHECKED	M.J.T.
DRAWN	Drew Christopher
CHECKED	V.H.V. M.J.T.

EXAMINED	May 5, 2005
	<i>John A. Morris</i>
	ENGINEER OF STRUCTURAL SERVICES
PASSED	<i>Walter E. Anderson</i>
	ENGINEER OF BRIDGES AND STRUCTURES