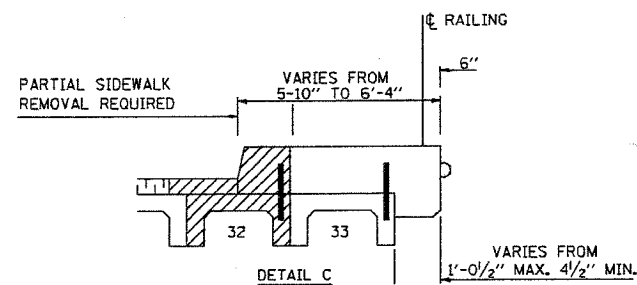
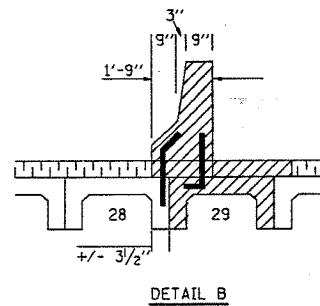
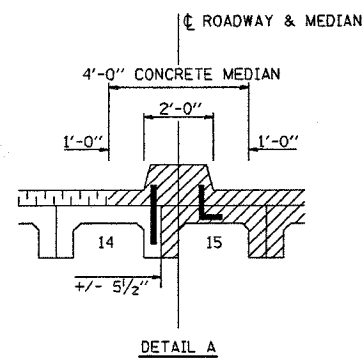
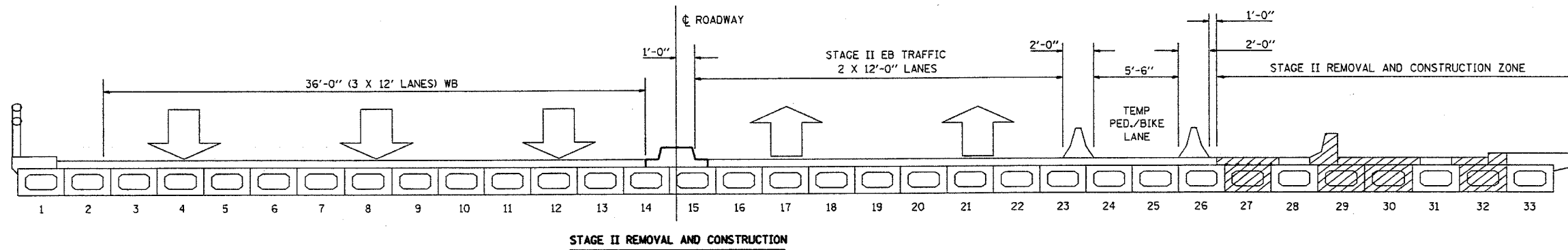
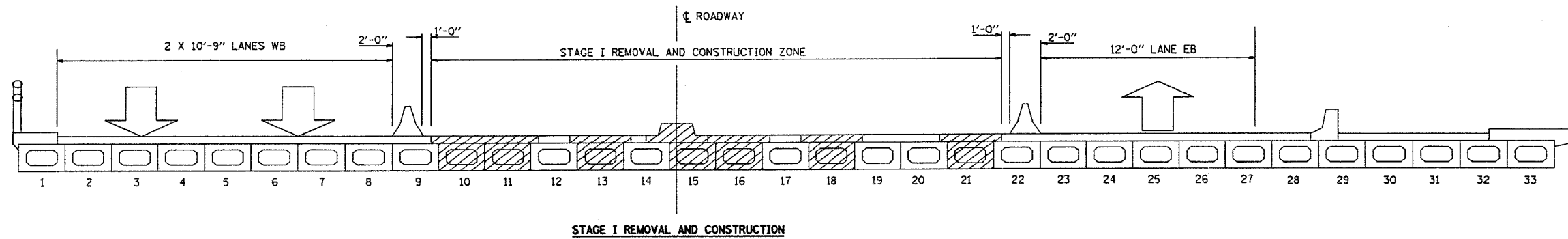
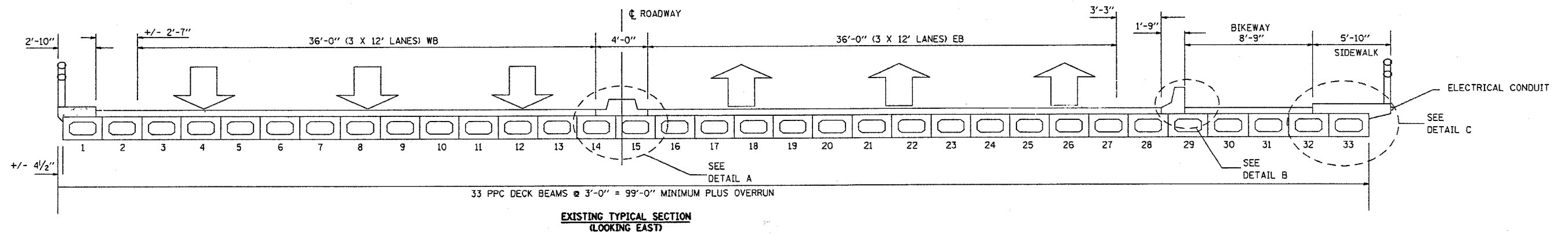


F.A.P. RTE.	SECTION	COUNTY	TOTAL SHEETS	SHEET NO.
343	2005-0058R	COOK/DUPAGE	14	5
STA. _____ TO STA. _____		FED. ROAD DIST. NO. _____ ILLINOIS FED. AID PROJECT		



REVISIONS	
NAME	DATE

ILLINOIS DEPARTMENT OF TRANSPORTATION

STAGING LAYOUT  
LOCATION 2  
SN: 022-0084

SCALE: VERT.  
HORIZ.  
DATE

DRAWN BY  
CHECKED BY

PLOT DATE = 3/31/05  
 PLOT SCALE = 1/8" = 1'-0"  
 PLOT SIZE = 36" X 48"  
 REFERENCE = W878