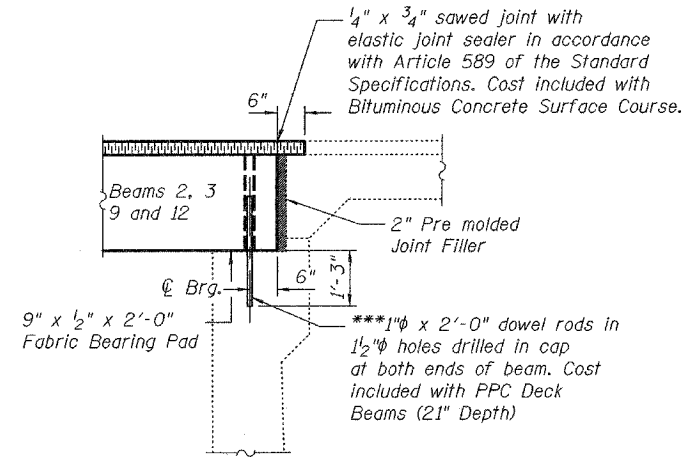
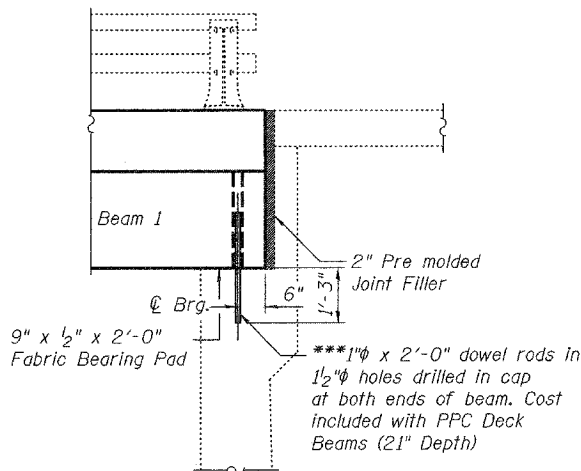


STATE OF ILLINOIS
DEPARTMENT OF TRANSPORTATION

ROUTE NO.	SECTION	COUNTY	SHEETS	SHEET NO.
		Cook	14	9
SHEET NO. 3 4 SHEETS				
Contract Number: 62912				



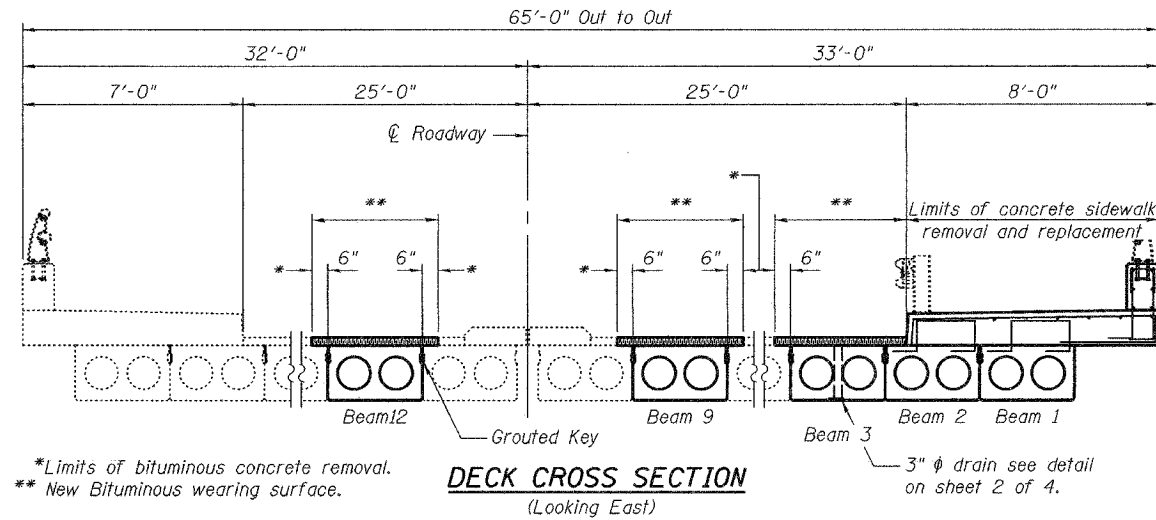
TYPICAL ABUTMENT SECTION



ABUTMENT SECTION AT SOUTH SIDEWALK

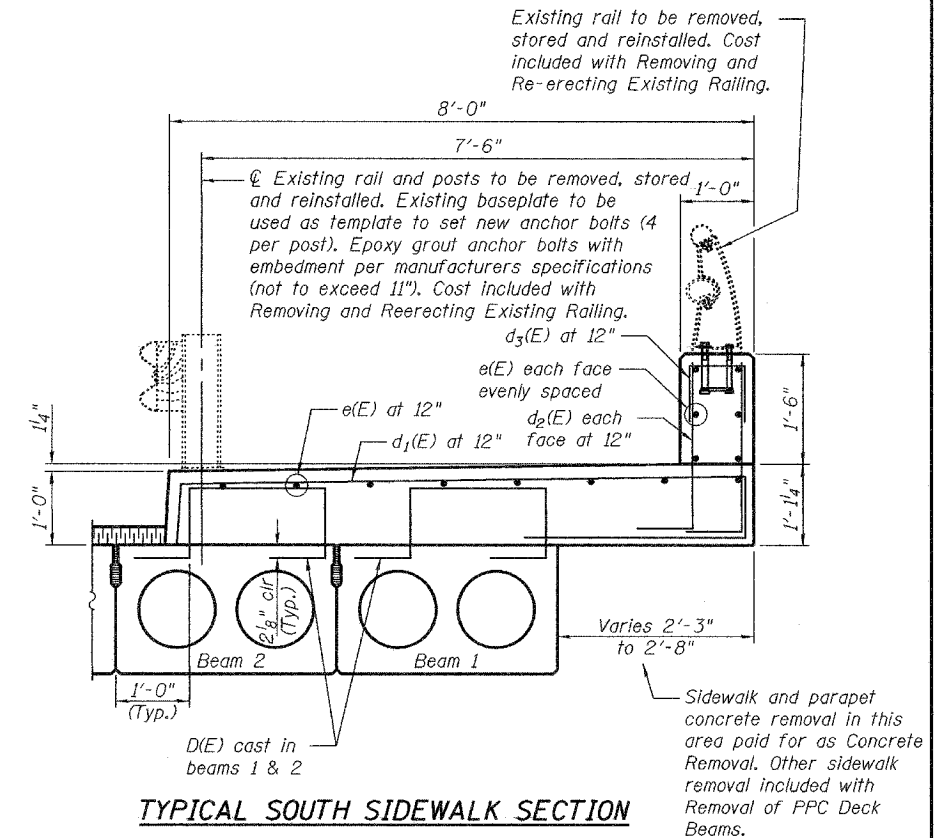
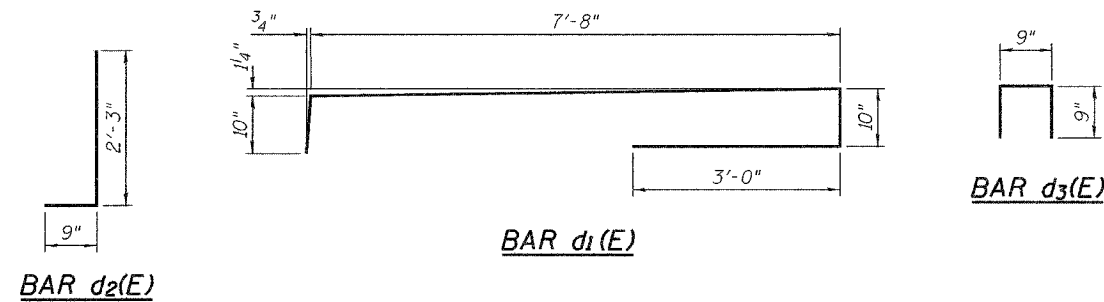
Notes:
Cut existing dowel rods at Beam 1 flush with the abutment cap.

***Dowel rods to be grouted after beams are in place and allowed to cure for a minimum of 24 hours prior to grouting shear keys.

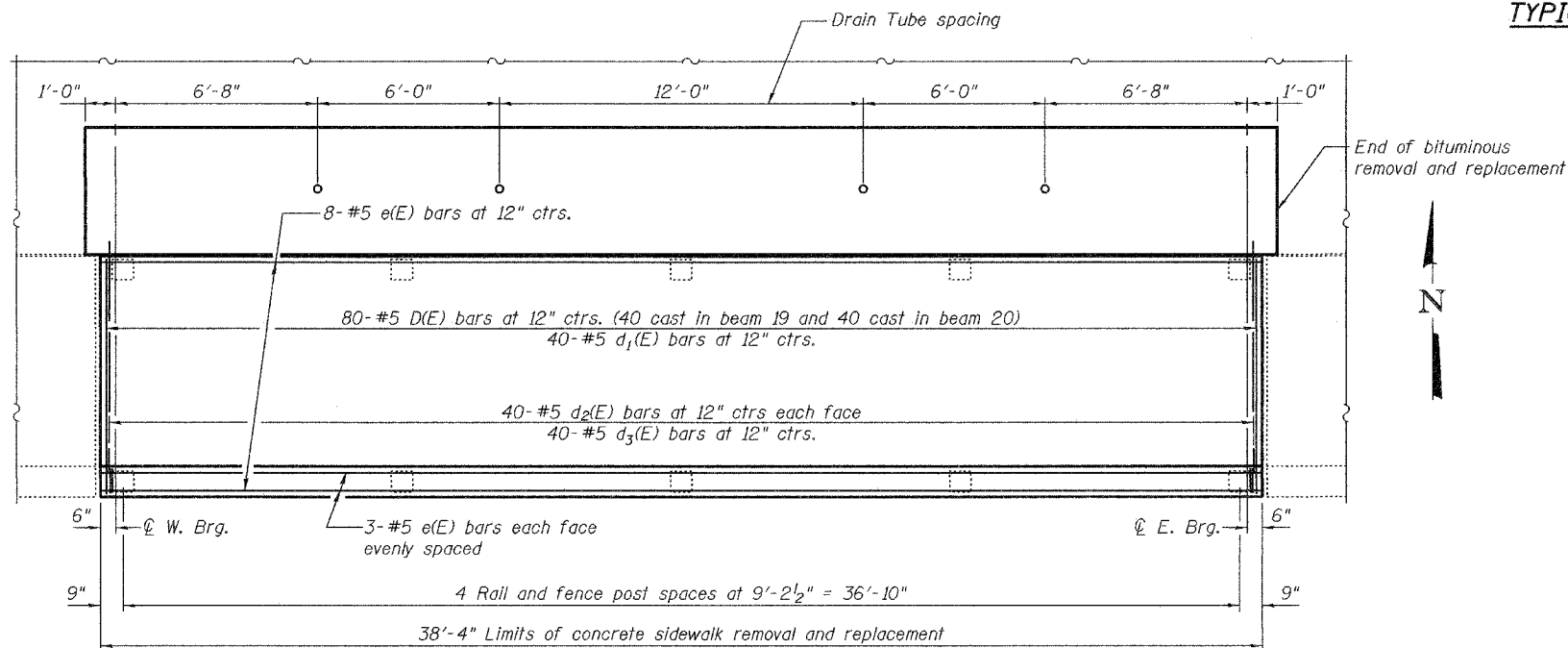


DECK CROSS SECTION
(Looking East)

*Limits of bituminous concrete removal.
** New Bituminous wearing surface.



TYPICAL SOUTH SIDEWALK SECTION



PARTIAL DECK AND SIDEWALK PLAN

BILL OF MATERIAL

Bar	No.	Size	Length	Shape
d ₁ (E)	40	#5	12'-4"	
d ₂ (E)	80	#5	3'-0"	
d ₃ (E)	40	#5	2'-3"	
e(E)	14	#5	38'-0"	
Concrete Removal			Cu. Yd.	5.9
Concrete Superstructure			Cu. Yd.	13.5
Reinforcement Bars, Epoxy Coated			Lbs.	1410

Reinforcement bars designated (E) shall be epoxy coated.

DESIGNED	V.H.V.
CHECKED	S.J.B.
DRAWN	Drew Christopher
CHECKED	V.H.V. S.J.B.

EXAMINED	John A. Morris ENGINEER OF STRUCTURAL SERVICES
PASSED	Ralph E. Anderson ENGINEER OF BRIDGES AND STRUCTURES

DECK DETAILS
F.A.P. RT. 343
COOK COUNTY
SN 016-0525