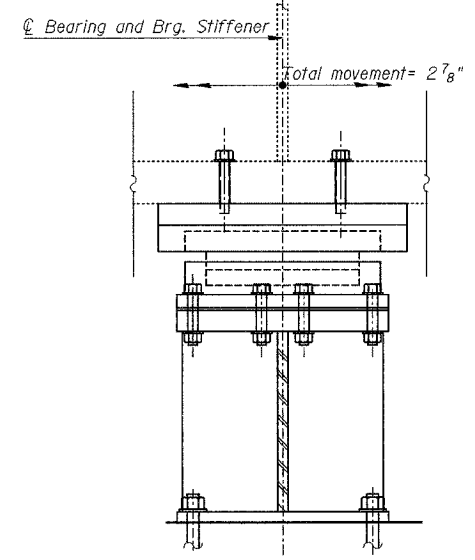
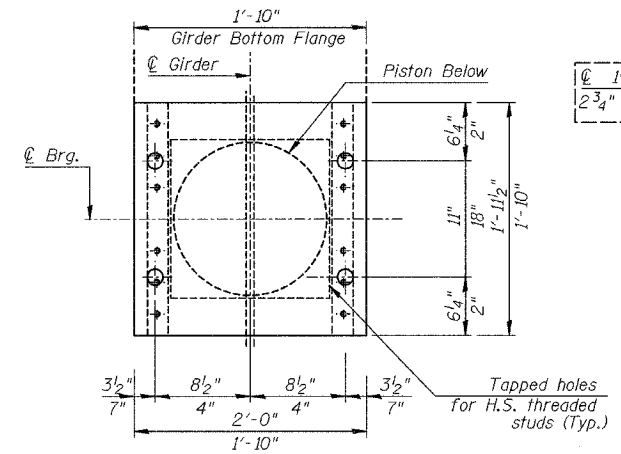


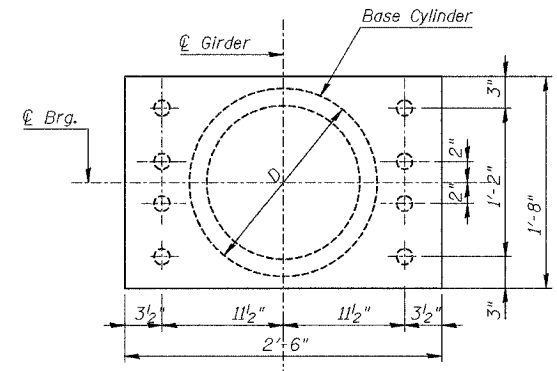
F.A.I.	SECTION	COUNTY	TOTAL SHEETS	SHEET NO.
94/90	2005-008F	COOK	93	15
STA.	TO STA.			
FED. ROAD DIST. NO.	ILLINOIS	FED. AID PROJECT		
62919				



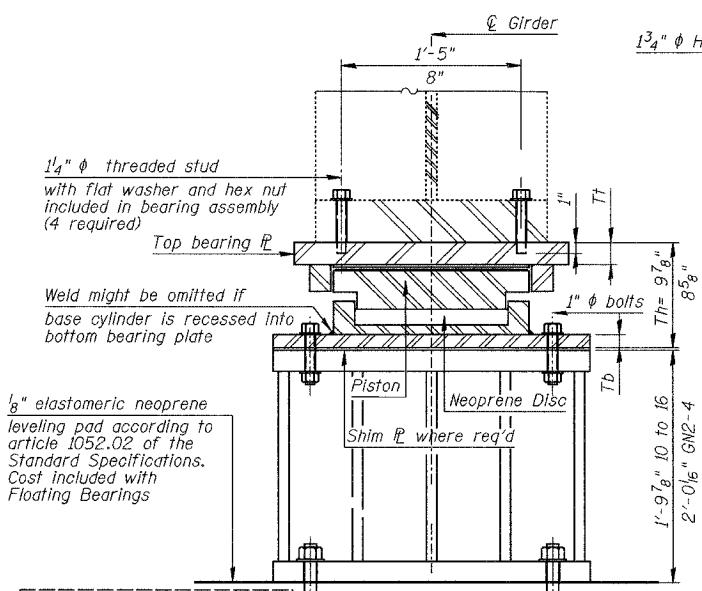
**SIDE VIEW**



**TOP BEARING PLATE AND PISTON PLAN**



**BOTTOM BEARING PLATE AND BASE CYLINDER PLAN**

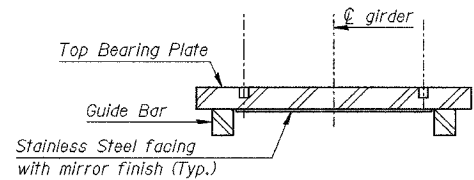


**ELEVATION**

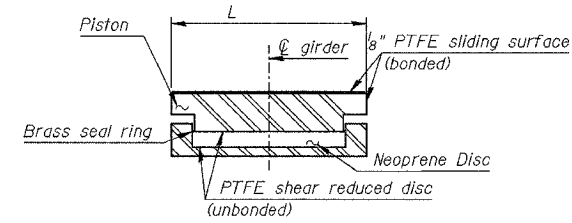
1/8" elastomeric neoprene leveling pad according to article 1052.02 of the Standard Specifications. Cost included with Floating Bearings

☉ 1 1/4" x 15" anchor bolts w/ 2 3/4" x 2 3/4" x 5/16" plate under nut

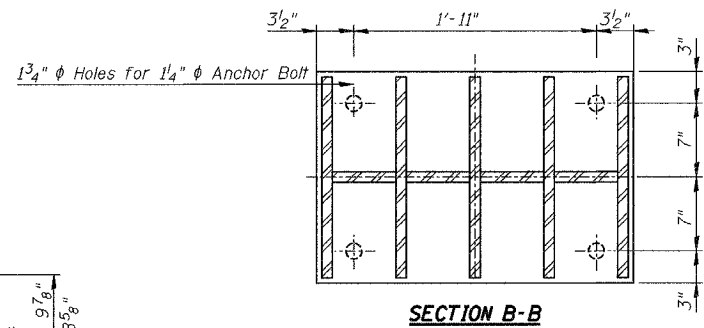
Not in contract



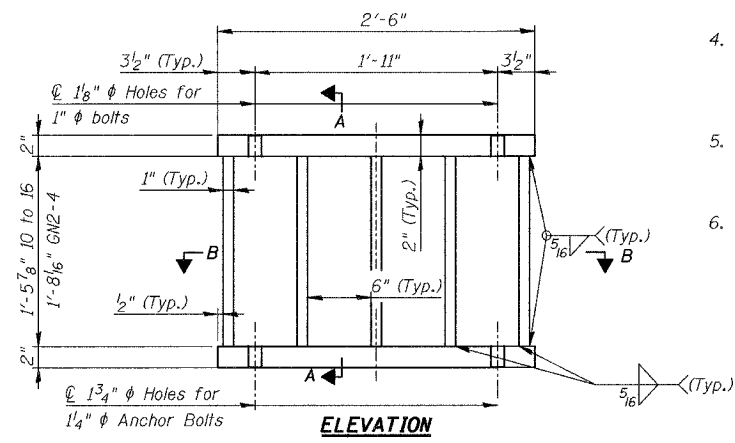
**TOP BEARING PLATE ASSEMBLY**



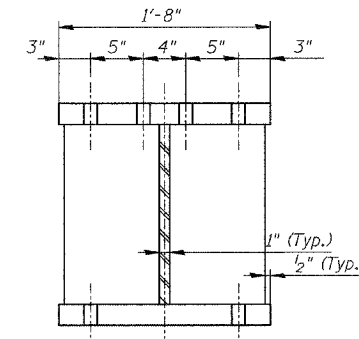
**PISTON ASSEMBLY**



**SECTION B-B**



**ELEVATION**



**SECTION A-A**

**FABRICATED STEEL EXTENSION DETAIL**  
TOTAL OF 10 REQ'D.

**Notes:**

- The 1/8" TFE sheet shall be bonded directly to the piston with a two component medium viscosity epoxy resin, conforming to the requirements of the Federal Specification MM-A-134, Type I. The bond agent shall be applied to the full area of the contact surfaces.
- Total Bearing Heights (Th) are based on values taken from a specific manufacturer's design tables. Actual bearing heights may differ from contract plans. Contractor to verify bearing heights and adjust steel extension height if required.
- The Vertical Design Load in table is the actual controlling vertical service load.
- Floating Bearings dimensions and details are based on the DS Brown Versiflex HLMR Uni Directional PMG series. Contractor shall make necessary modifications based on the actual bearings provided.
- As alternates to the bolted connection shown, the guide bars may be connected to the top bearing plate by groove welds or the guide bar and top bearing may be fabricated as a single piece.
- Bearing manufacturer shall coordinate with steel extension manufacturer in order to provide required height from top of pier to bottom of beam flange.

**BILL OF MATERIAL**

Item	Unit	Quantity
Furnishing Floating Bearing, Guided Exp., 550 Kips	Each	7
Furnishing Floating Bearing, Guided Exp., 400 Kips	Each	3

**FLOATING BEARING SCHEDULE**

Beam No.	Vertical Design Load, k	Lateral Design Load, k	Total Req'd Movement (in.)	Tt	Tb	Th	L	D
10-16	550	110	2 7/8	2 3/4	2	9 7/8	18 1/2	17 3/4
GN2-4	400	80	2 7/8	2	2	8 5/8	15	15

Dimensions are in inches. Beam numbers reference as-built drawings, see Framing Plans for cross reference.

REVISIONS	
NAME	DATE

ILLINOIS DEPARTMENT OF TRANSPORTATION  
F.A.I. 94/90 (DAN RYAN EXPRESSWAY)  
FABRICATION CONTRACT  
NB DAN RYAN ELEVATED BRIDGE  
REPAIR FROM 15TH TO 28TH STREETS  
FLOATING BEARING DETAILS

SCALE: NTS  
DATE: 5/23/2005

DRAWN BY: LM  
CHECKED BY: BLU

BOWMAN, BARRETT & ASSOCIATES INC.  
CONSULTING ENGINEERS  
130 EAST RANDOLPH STREET SUITE 2650 CHICAGO, ILLINOIS 60601  
JOB NO. 668

**FLOATING BEARING DETAIL**  
10 REQ'D (SEE SCHEDULE THIS SHEET)

11/26/00/040/BRIDGE/3A/SHEETS/66023A/RP/0.4.dgn 10:30:42 AM 5/23/2005