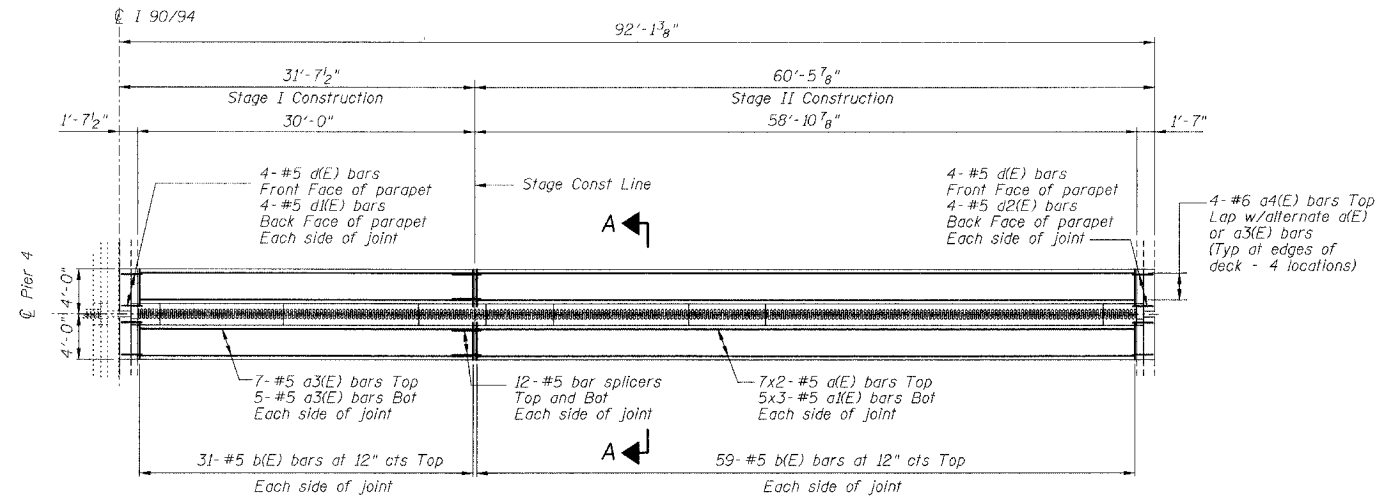


STATE OF ILLINOIS  
DEPARTMENT OF TRANSPORTATION

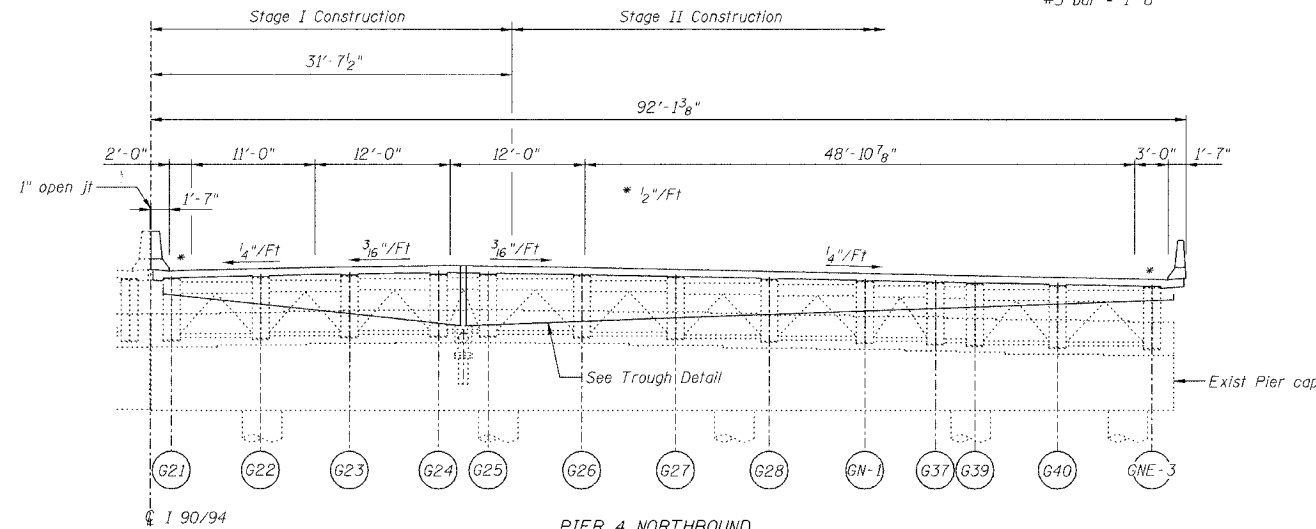
ROUTE NO.	SECTION	COUNTY	TOTAL SHEETS	SHEET NO.
FA1 90/94		COOK	93	18
FED. ROAD DIST. NO.		ILLINOIS PROJECT		
2005-008F		CONTRACT #62919		

Sheet No 3  
of 8 Sheets

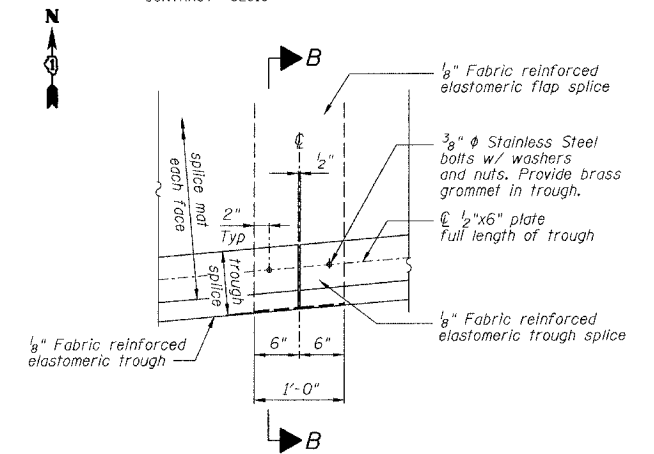


FINGER PLATE AT PIER 4 NORTHBOUND  
JOINT RECONSTRUCTION PLAN AT PIER 4  
(Dimensions along  $\bar{C}$  Pier)

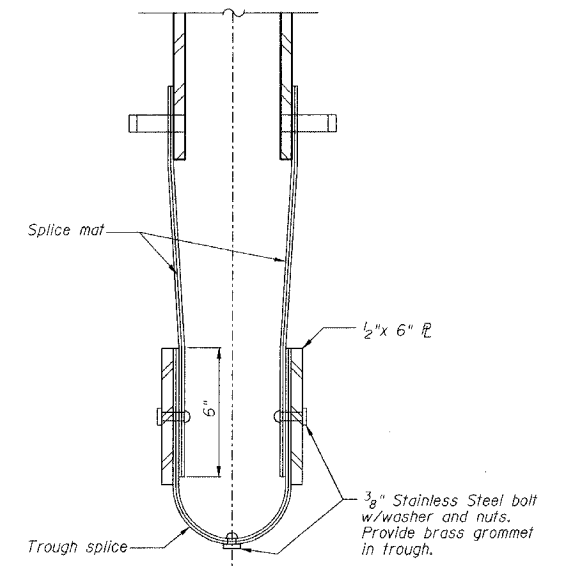
MIN BAR LAP  
#5 bar = 1'-8"



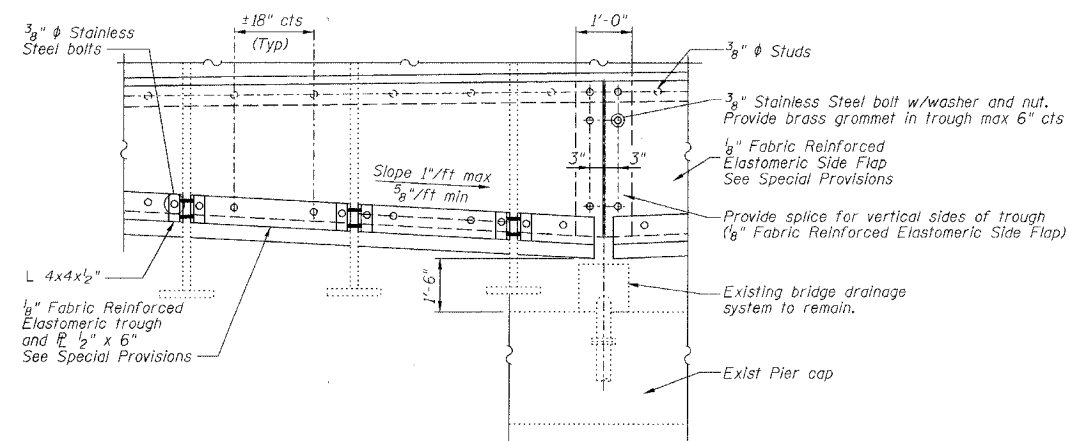
PIER 4 NORTHBOUND  
ELEVATION AT PIER 4 (LOOKING NORTH)  
(Dimensions along  $\bar{C}$  Pier)



TROUGH SPLICE DETAIL



SECTION B-B



TROUGH DETAIL

NOTES

Bars indicated thus 4x2-#5 etc indicates 4 lines of bars with 2 lengths per line.  
For Section A-A see Sheet 4 of 8.

PIER NO. 4		FINGER PLATE EXPANSION JOINT DETAILS	
REVISIONS		STATE OF ILLINOIS DEPARTMENT OF TRANSPORTATION DIVISION OF HIGHWAYS	
DRAWN BY DATE RLK 5/03		FAI RTE 90/94 DAN RYAN EXPRESSWAY	
CHECKED BY DATE SDS 5/03		SN 016-1110 (NORTHBOUND)	
BOOK NUMBER		COOK COUNTY	
PROJECT No.		4222-3	
SHEET No.		HOMER L. CHASTAIN & ASSOCIATES CONSULTING ENGINEERS	
6800 W. BRYAN MAJOR AVENUE CHICAGO, ILLINOIS 60631 312-714-0050 FAX 312-714-0055		SUITE 204 CHICAGO, ILLINOIS 60631 312-714-0050 FAX 312-714-0055	