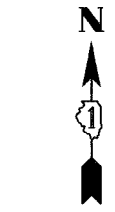
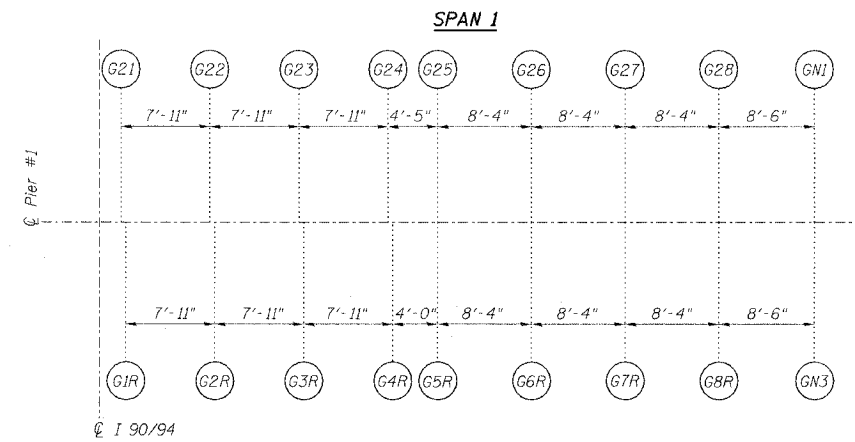


STATE OF ILLINOIS
DEPARTMENT OF TRANSPORTATION

ROUTE NO.	SECTION	COUNTY	TOTAL SHEETS	SHEET NO.
FAI 90/94	*	COOK	93	25
FED. ROAD DIST. NO.	ILLINOIS PROJECT			
2005-008F		CONTRACT #62919		

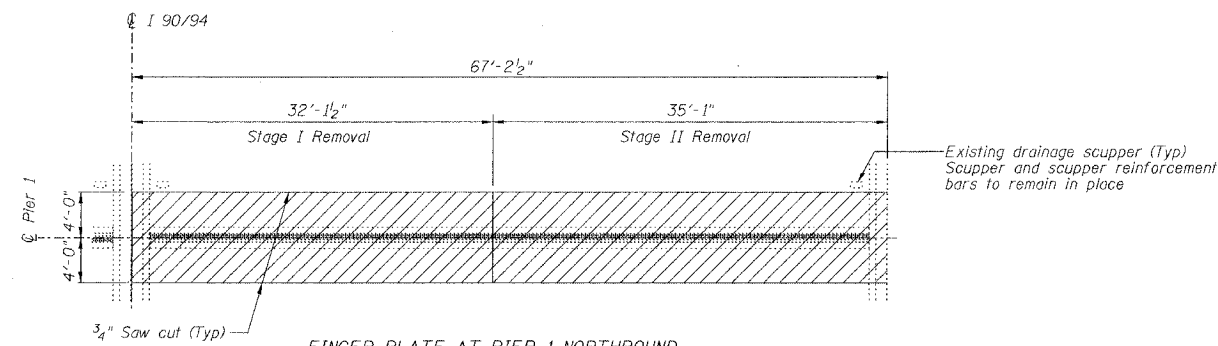
Sheet No 2
of 8 Sheets



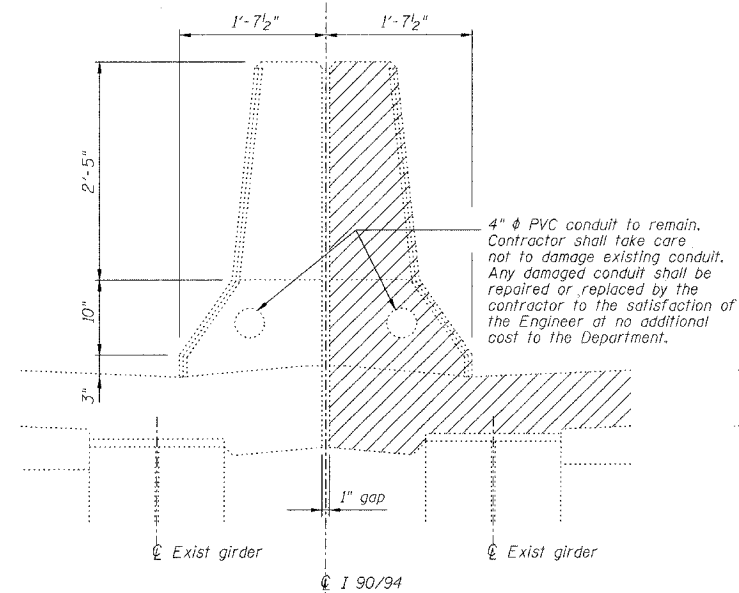
Note:
All dimensions on girder layout
are given along centerline of bearing.

SPAN II
(SN 016-1111)

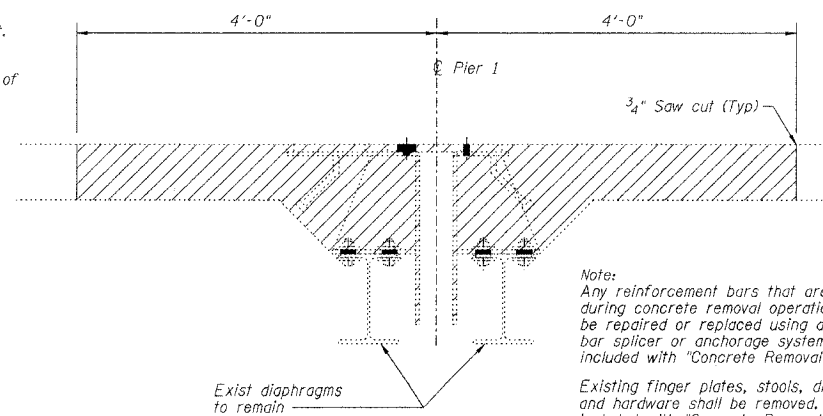
GIRDER LAYOUT AT PIER 1



**FINGER PLATE AT PIER 1 NORTHBOUND
JOINT REMOVAL PLAN AT PIER 1**

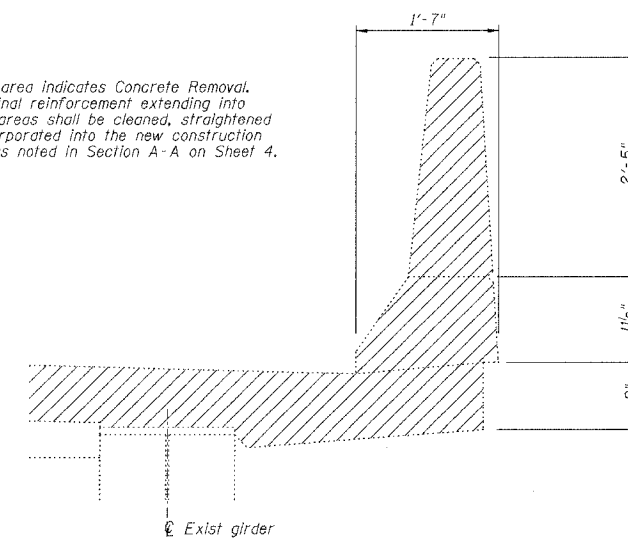


DETAIL AT EXISTING MEDIAN PARAPET



SECTION AT EXISTING FINGER PLATE AT PIER 1

Note:
Hatched area indicates Concrete Removal.
Longitudinal reinforcement extending into
removal areas shall be cleaned, straightened
and incorporated into the new construction
except as noted in Section A-A on Sheet 4.



DETAIL AT EXISTING OUTSIDE PARAPET

PIER NO. 1

REVISIONS				STATE OF ILLINOIS DEPARTMENT OF TRANSPORTATION DIVISION OF HIGHWAYS		DRAWN BY RLK	DATE 5/03
1				FAI RTE 90/94	DAN RYAN EXPRESSWAY	BOOK NUMBER	
2				SN 016-1110 (NORTHBOUND)	COOK COUNTY	PROJECT NO.	4222-3
3						SHEET NO.	
4							
5							
6							
7							
8							
9							
10							

HOMER L. CHASTAIN & ASSOCIATES
CONSULTING ENGINEERS

8600 W. BRYAN MAWRE AVENUE
SUITE 204
CHICAGO, ILLINOIS 60631
TEL: 774-0000
FAX: 774-0005