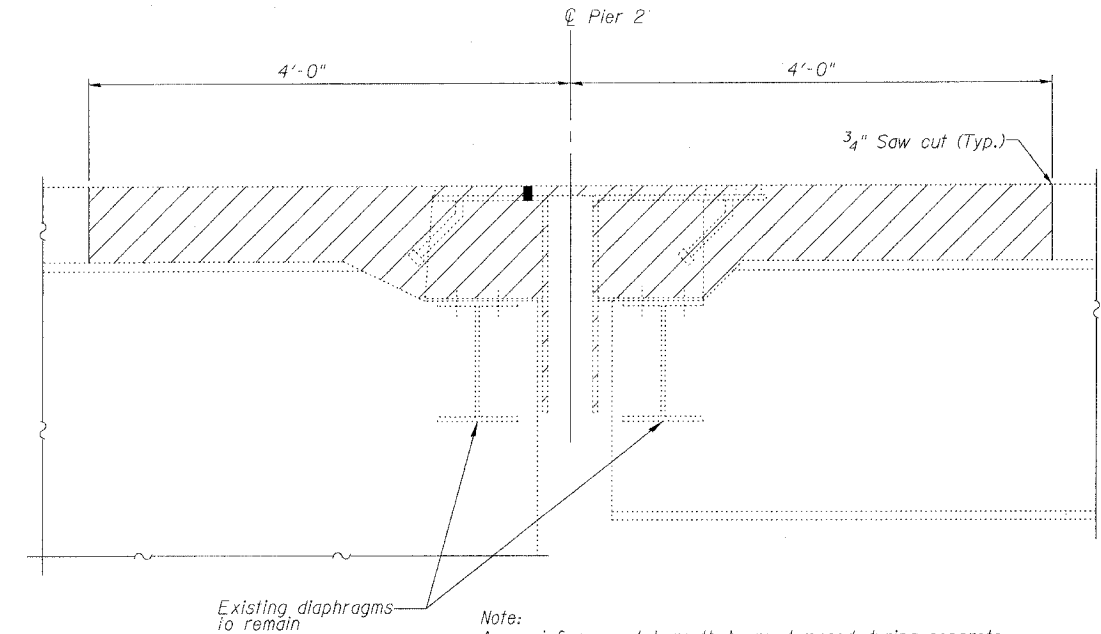
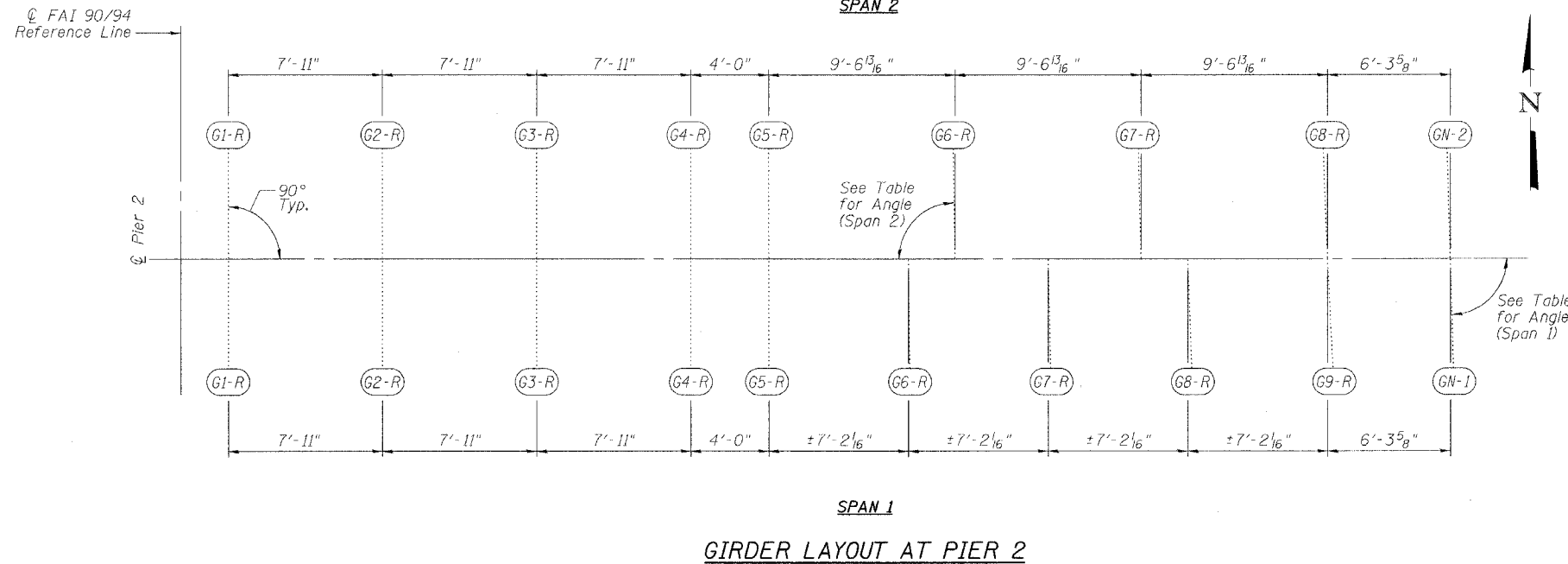


STATE OF ILLINOIS  
DEPARTMENT OF TRANSPORTATION

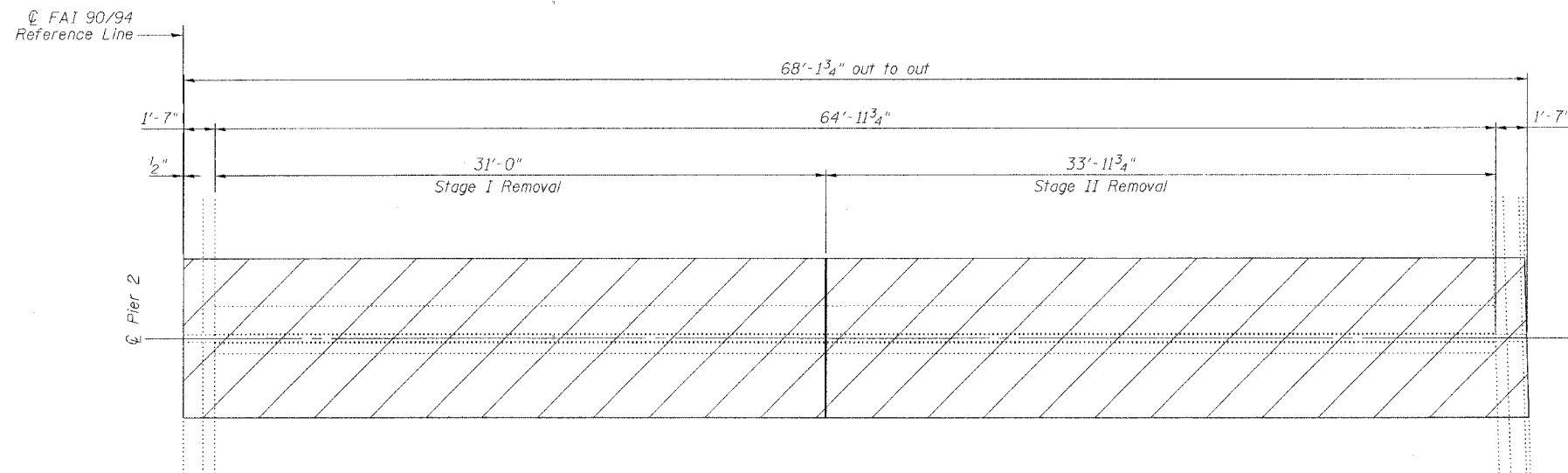
ROUTE NO.	SECTION	COUNTY	POST MILES	SHEET NO.	SHEET NO. 2 8 SHEETS
FAI 90/94	*	COOK	93	41	
FED. ROAD DIST. NO.	ILLINOIS	FED. AID PROJECT			
* 2005-008F Contract #62919					

Girder	Angle	
	Span 1	Span 2
G6-R	89°17'55"	89°15'01"
G7-R	88°35'50"	88°30'03"
G8-R	87°53'47"	87°45'07"
G9-R	87°11'47"	-
GN-1	88°20'15"	-
GN-2	-	88°19'38"

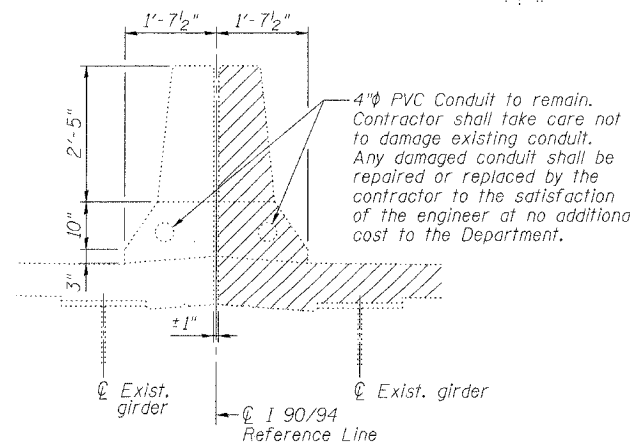


Note:  
Any reinforcement bars that are damaged during concrete removal operations shall be repaired or replaced using an approved bar splicer or anchorage system. Cost included with "Concrete Removal".  
Existing finger plates, stools, drainage trough and hardware shall be removed. Cost included with "Concrete Removal".

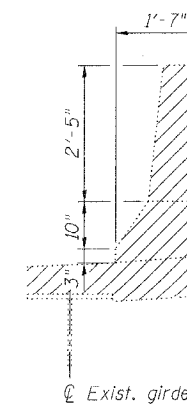
SECTION AT EXISTING FINGER PLATE



JOINT REMOVAL PLAN AT PIER 2



DETAIL AT EXISTING FAI 90/94 MEDIAN PARAPET



DETAIL AT EXISTING OUTSIDE PARAPET

Notes:  
Hatched Area indicates "Concrete Removal".  
Longitudinal reinforcement extending into removal areas shall be cleaned, straightened and incorporated into the new construction except as noted on Section A-A on Sheet 5.

REVISIONS	
NAME	DATE

ILLINOIS DEPARTMENT OF TRANSPORTATION  
**FINGER PLATE EXPANSION JOINT  
REMOVAL DETAILS**  
F.A.I. ROUTE 90/94 NORTHBOUND (DAN RYAN EXPRESSWAY)  
16TH STREET TO 18TH STREET  
COOK COUNTY  
S.N. 016-1111 - PIER 2

SCALE: VERT. \_\_\_\_\_  
HORIZ. \_\_\_\_\_  
DATE: 3/28/05  
DRAWN BY: LANDREY  
DESIGNED BY: SANFORD  
CHECKED BY: \_\_\_\_\_  
COMPUTER FILE NO. 04286-W05-NB-REM  
PROJECT 04286-W05  
6/15/05-MML

GREENE & BRADFORD, INC.  
OF SPRINGFIELD  
REGISTERED PROFESSIONAL ENGINEERS  
PROFESSIONAL DESIGNER  
ILLINOIS LICENSE NO. 04286-W05-NB-REM  
OPERATOR

FILE NAME = \$FILE\$  
PLOT SCALE = \$PLOTSCALE\$  
PLOT TIME = 2:31:28 PM  
OPERATOR = michellel