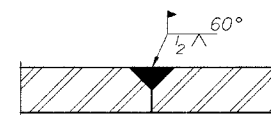
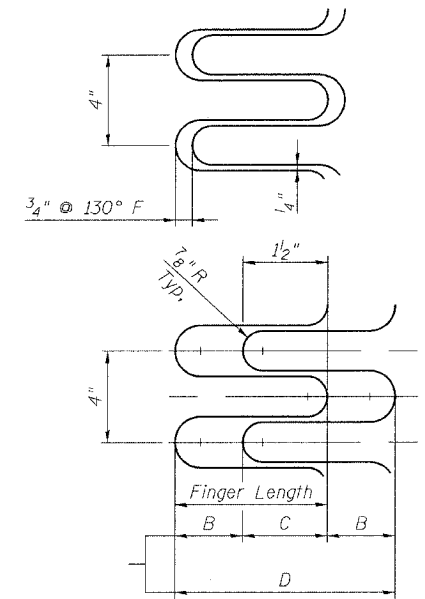
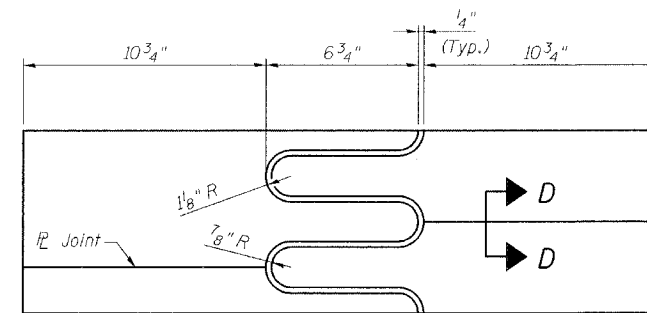
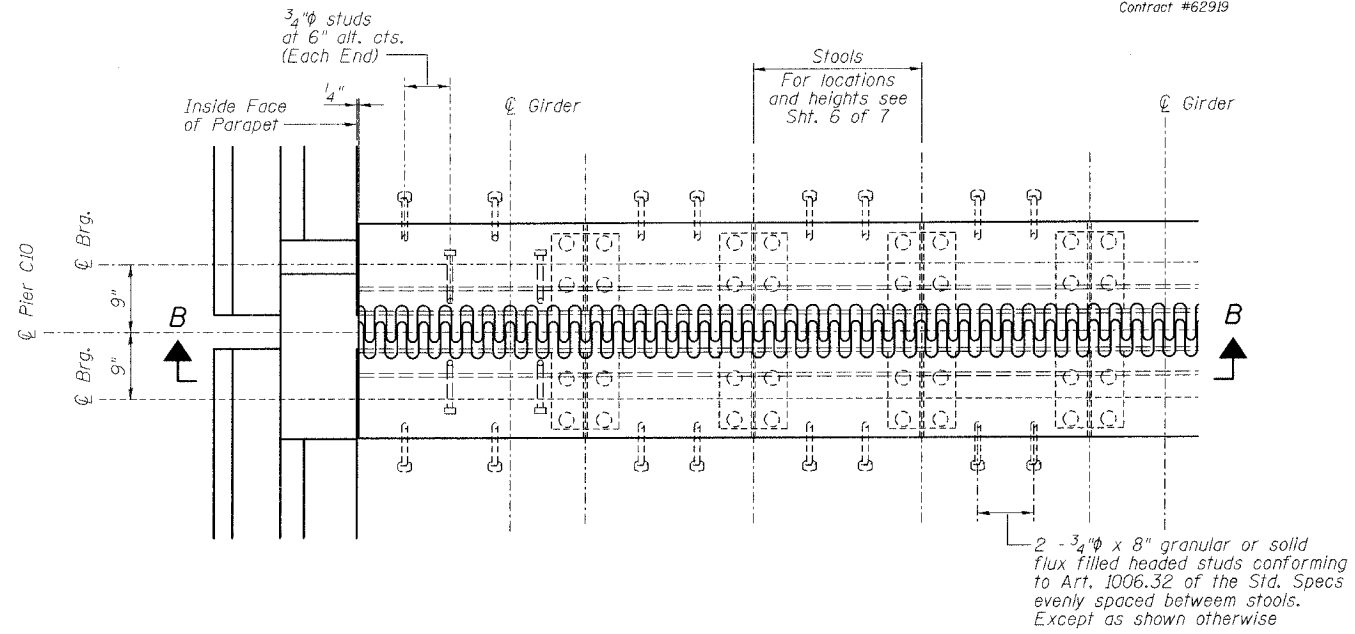
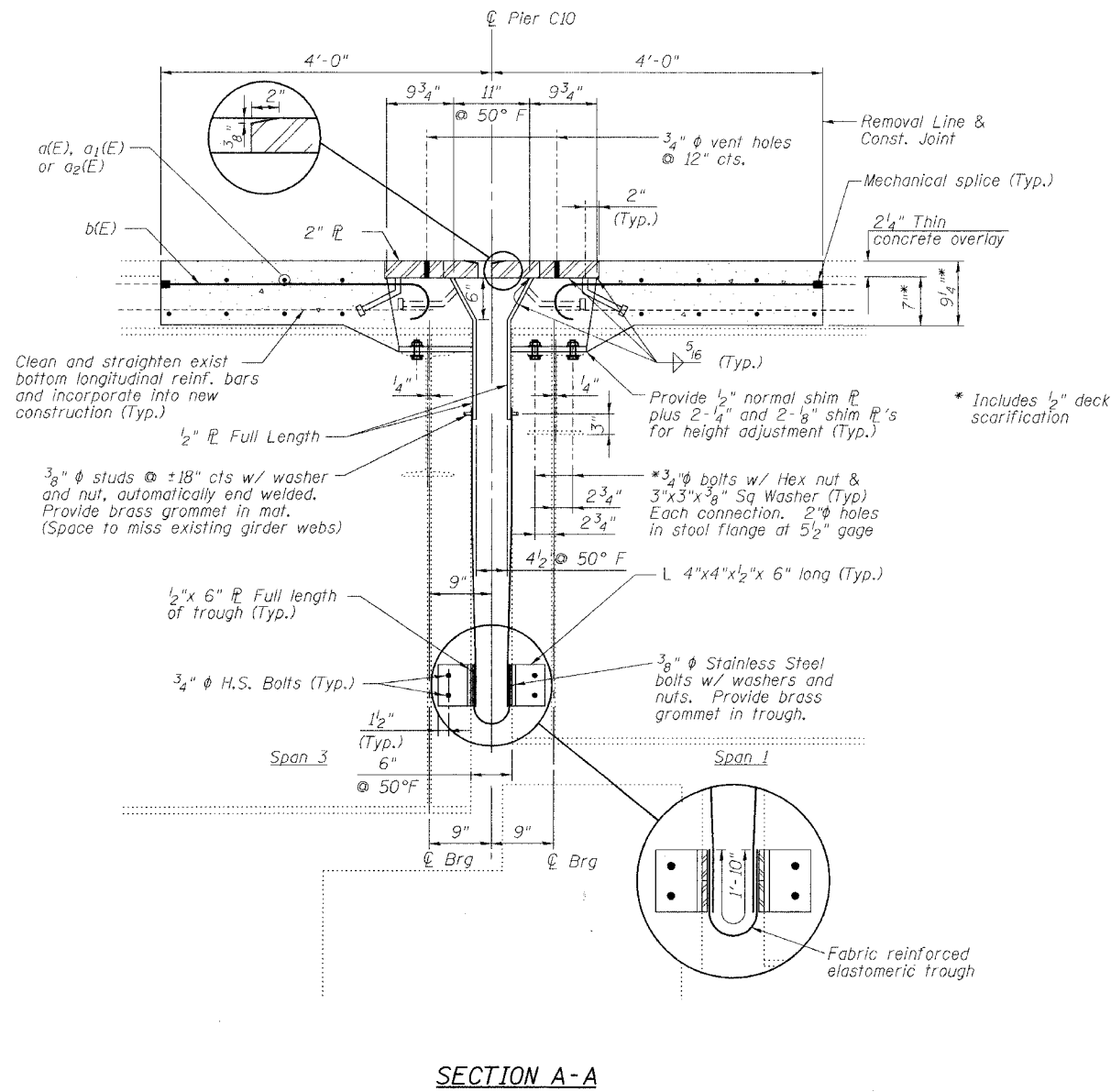


STATE OF ILLINOIS  
DEPARTMENT OF TRANSPORTATION

ROUTE NO.	SECTION	COUNTY	JOB SHEETS	SHEET NO.	SHEET NO. 4 8 SHEETS
FAI 90/94	*	COOK	Q3	51	
FED. ROAD DIST. NO.	ILLINOIS	FED. AID PROJECT			

\* 2005 - 008F  
Contract #62919



**NOTES**

1. Stainless steel bolts, washers and nuts shall meet the requirements of ASTM A193.
2. The furnishing of all necessary hardware, stainless steel bolts, studs and washers, plates and angles shall be included with "Furnishing Structural Steel".
3. For Section B-B, see Sheet 5 of 9.

REVISIONS	
NAME	DATE

ILLINOIS DEPARTMENT OF TRANSPORTATION  
**PIER C10 JOINT DETAILS**  
F.A.I. ROUTE 90/94 NORTHBOUND (DAN RYAN EXPRESSWAY)  
OVER SOUTH BRANCH - CHICAGO RIVER  
COOK COUNTY  
S.N. 016-1113 - PIER C10

SCALE: VERT. \_\_\_\_\_  
HORIZ. \_\_\_\_\_  
DATE: 2/17/05  
DRAWN BY: HEBERLING  
DESIGNED BY: SANFORD  
CHECKED BY: \_\_\_\_\_  
GREENE & BRADFORD, INC.  
OF SPRINGFIELD  
COMPUTER FILE NO. 04286-W04-FPJ  
PROJECT 04286-W04  
6/15/05-NML

FILE NAME = \$FILE\$  
PLOT SCALE = \$PLOTSCALE\$  
PLOT DATE = 6/21/2005  
PLOT TIME = 4:55:58 PM  
OPERATOR = michellel